

■ **Features**

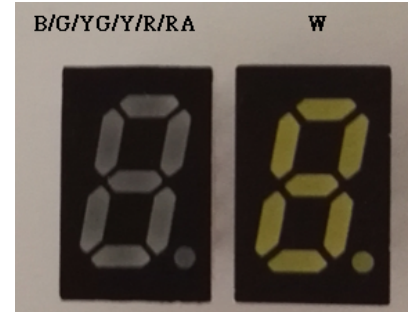
- 0.32 Inch Single Digit Display
- Long lifetime operation
- IC compatible
- Low power dissipation
- **Number of pins :10**

■ **Applications**

- Counting device
- Clock

■ **Absolute Maximum Rating** (Ta=25°C)

■ **Photo**



Item	Symbol	Value		Unit
		RA/R/YG/Y	B/G	
DC Forward Current	I <sub>F</sub>	20	20	mA
Pulse Forward Current*	I <sub>FP</sub>	100	100	mA
Reverse Voltage	V <sub>R</sub>	5	5	V
Power Dissipation	P <sub>t</sub>	44	66	mW
Operating Temperature	Topr	-30 ~ +70		°C
Storage Temperature	Tstg	-40~ +85		°C
Lead Soldering Temperature(1.6mm from seating plane)	Tsol	260°C/5sec		°C

\*Pulse width Max.10ms Duty ratio max 1/10

■ **Electrical -Optical Characteristics** (Ta=25°C)

Part Number	Color		V <sub>F</sub> (V)			I <sub>R</sub> (μA)	I <sub>v</sub> (mcd)			λD(nm)			
			Min.	Typ.	Max.	Max.	Min.	Typ.	Max.	Min.	Typ.	Max.	
			I <sub>F</sub> =20mA			V <sub>R</sub> =5V	I <sub>F</sub> =20mA						
OSL10326-IW(LW)	White	W		3.1	3.6	20	-	65	-	X:0.27 Y:0.28			
OSL10326-IB(LB)	Blue	B	■	-	3.1	3.6	20	-	50	-	460	465	475
OSL10326-IG(LG)	Pure Green	G	■	-	3.1	3.6	20	-	200	-	515	525	530
OSL10326-IYG(LYG)	Yellow Green	YG	■	-	2.2	2.6	20	-	12	-	565	571	575
OSL10326-IY(LY)	Yellow	Y	■	-	2.1	2.5	20	-	60	-	585	590	595
OSL10326-IR(LR)	Red	R	■	-	2.1	2.5	20	-	26	-	625	630	640
OSL10326-IRA(LRA)	High Luminance Red	RA	■	-	2.1	2.5	20	-	100	-	620	625	630

\*1 Tolerance of measurements of chromaticity coordinates is ±10%

\*2 Tolerance of measurements of dominant wavelength is ±1nm

\*3 Tolerance of measurements of luminous intensity is ±15%

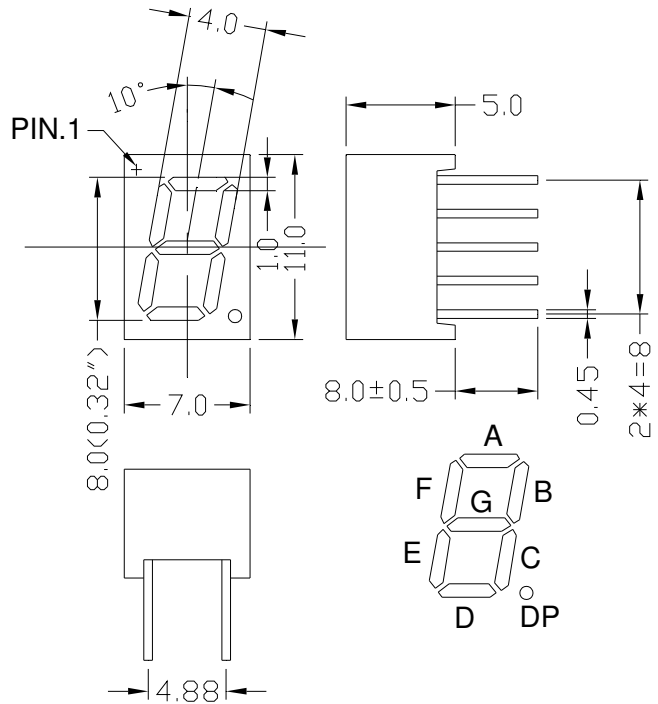
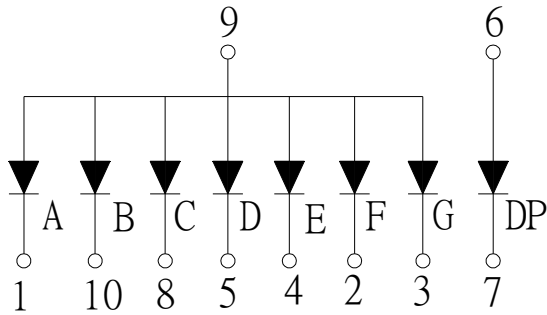
\*4 Tolerance of measurements of forward voltage is ±0.1V

<b>0.32 Inch Single Digit Display</b>
<b>OSL10326-IX (Common Anode type)</b>
<b>OSL10326-LX (Common Cathode type)</b>
<b>VER A.1.1</b>

■ **Package Dimensions and Pin Function**

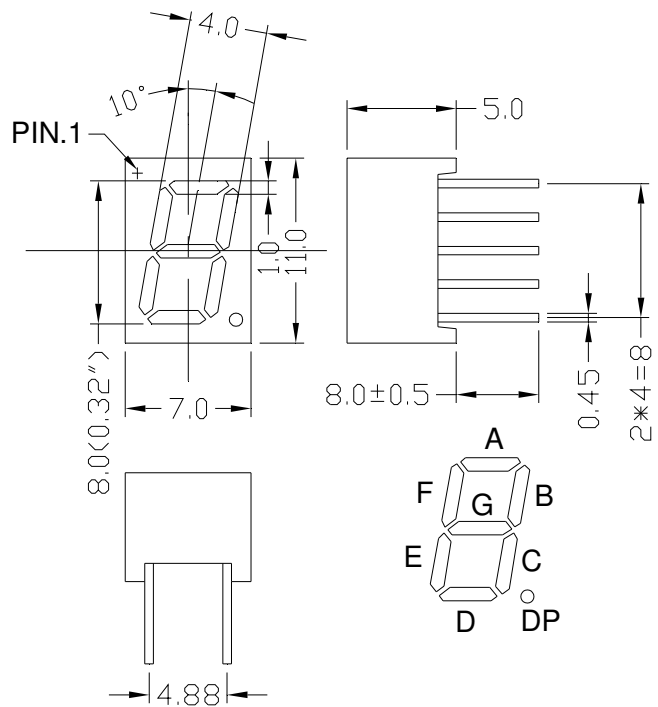
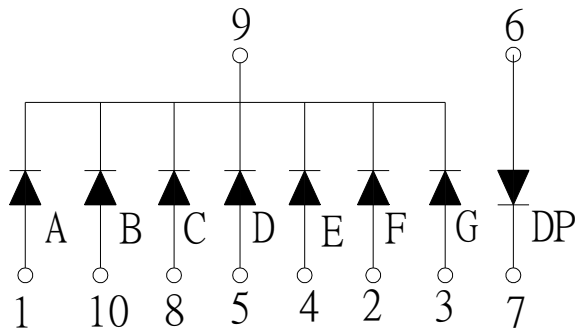
**OSL10326-IX**  
**(Common Anode type)**

Note:  
1, Unit : mm( Tolerance:±0.25mm unless otherwise noted)  
2, The slope angle of any PIN may be±5.0°Max



**OSL10326-LX**  
**(Common Cathode type)**

Note:  
1, Unit : mm( Tolerance:±0.25mm unless otherwise noted)  
2, The slope angle of any PIN may be±5.0°Max



## X-ON Electronics

Largest Supplier of Electrical and Electronic Components

*Click to view similar products for [Optosupply](#) manufacturer:*

Other Similar products are found below :

[OECCDD01-300](#) [OEHW2030GF](#) [OEHW2045GF](#) [OEHW2060GF](#) [OEHW2090GF](#) [OKLEDT02406A](#) [OKLEDT3050G5V](#)  
[OKLEDT3050RBV](#) [OKLEDT3050RBW](#) [OKLEDT3050RPV](#) [OKLEDT3050RPW](#) [OKLEDT3050WAW](#) [OKLEDT30606A](#) [OKLEDT31005A](#)  
[OKLEDT3100B5](#) [OKLEDT3100G8](#) [OKLEDT3100M3](#) [OKLEDT3100M4](#) [OKLEDT3100R6](#) [OKLEDT3100W6](#) [OKLEDT3100WA](#)  
[OKLEDT3100Y5](#) [OKLEDT31203A](#) [OKLEDT31206A](#) [OKLEDT5050B5W](#) [OKLEDT5050G5W](#) [OKLEDT5050RBV](#) [OKLEDT5050RBW](#)  
[OKLEDT5050RPW](#) [OKLEDT5050TAV](#) [OKLEDT5050TAW](#) [OKLEDT5050W6P](#) [OKLEDT5050WAV](#) [OKLEDT5050WAW](#)  
[OKLEDT50606A](#) [OKLEDT50606B](#) [OKLEDT51005A](#) [OKLEDT5100B5](#) [OKLEDT5100G8](#) [OKLEDT5100M3](#) [OKLEDT5100M4](#)  
[OKLEDT5100R6](#) [OKLEDT5100W6](#) [OKLEDT5100WA](#) [OKLEDT5100Y5](#) [OKLEDT51203A](#) [OKLEDT51206A](#) [OKLEDT8050G5V](#)  
[OKLEDT8050G5W](#) [OKLEDT8050M3V](#)