

1.0 Inch Single Digit Display
OSL11001-IX (Common Anode type)
OSL11001-LX (Common Cathode type)

■ **Features**

- 1.0 Inch Single Digit Display
- Long lifetime operation
- IC compatible
- Low power dissipation
- Black surface & white segment or dot
- Number of pins:10

■ **Applications**

- Counting device
- Clock

■ **Absolute Maximum Rating** (Ta=25°C)

Item	Symbol	Value		Unit
		R/O/YG/Y	W/B/G	
DC Forward Current	I _F	25	25	mA
Pulse Forward Current#	I _{FP}	100	100	mA
Reverse Voltage/Per Segment or (Dp)	V _R	10(5)	10(5)	V
Power Dissipation/Per Segment or (Dp)	P _t	130(65)	180(90)	mW
Operating Temperature	Topr	-30 ~ +70		°C
Storage Temperature	Tstg	-40~ +85		°C
Lead Soldering Temperature(1.6mm from seating plane)	Tsol	260°C/5sec		°C

#Pulse width Max.10ms Duty ratio max 1/10

■ **Electrical -Optical Characteristics** (Ta=25°C)

Part Number	Color			V _F (V)			I _R (μA)	I _v (mcd)			λD(nm)		
				Per Segment or (Dp)				Max.	Min.	Typ.	Max.	Min.	Typ.
				Min.	Typ.	Max.	I _F =20mA						
OSL11001-IW(LW)	White	W		5.6 (2.8)	6.2 (3.1)	7.2 (3.6)	20	-	80	-	X=0.27 Y=0.28		
OSL11001-IB(LB)	Blue	B	■	5.6 (2.8)	6.2 (3.1)	7.2 (3.6)	20	-	50	-	460	465	475
OSL11001-IG(LG)	Pure Green	G	■	5.6 (2.8)	6.2 (3.1)	7.2 (3.6)	20	-	270	-	520	525	530
OSL11001-IYG(LYG)	Yellow Green	YG	■	3.6 (1.8)	4.4 (2.2)	5.2 (2.6)	20	-	30	-	565	570	575
OSL11001-IY(LY)	Yellow	Y	■	3.6 (1.8)	4.4 (2.2)	5.2 (2.6)	20	-	60	-	585	590	595
OSL11001-IO(LO)	Orange	O	■	3.6 (1.8)	4.4 (2.2)	5.2 (2.6)	20	-	70	-	600	605	610
OSL11001-IR(LR)	Red	R	■	3.6 (1.8)	4.4 (2.2)	5.2 (2.6)	20	-	40	-	625	630	640
OSL11001-IRA(LRA)	High Luminance Red	RA	■	3.6 (1.8)	4.4 (2.2)	5.2 (2.6)	20	-	124	-	620	625	630

*1 Tolerance of measurements of chromaticity coordinates is ±10%

*2 Tolerance of measurements of dominant wavelength is ±1nm

*3 Tolerance of measurements of luminous intensity is ±15%

*4 Tolerance of measurements of forward voltage is ±0.1V

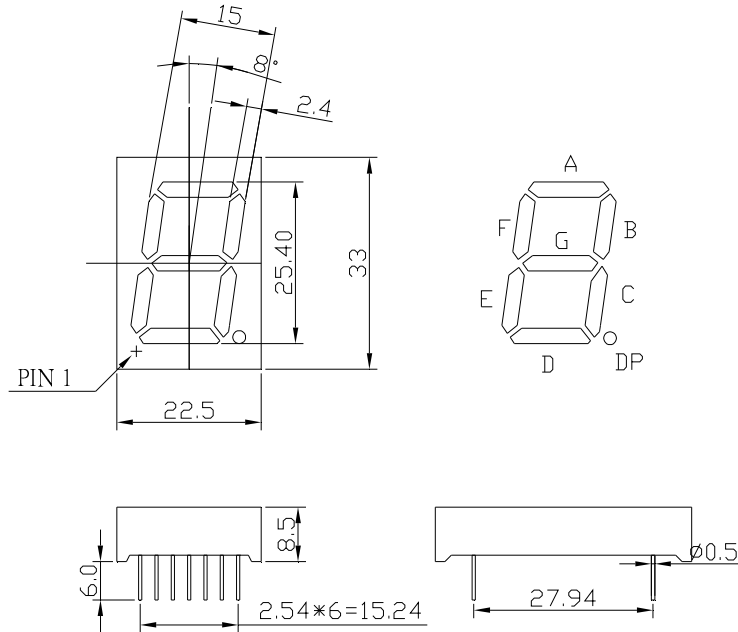
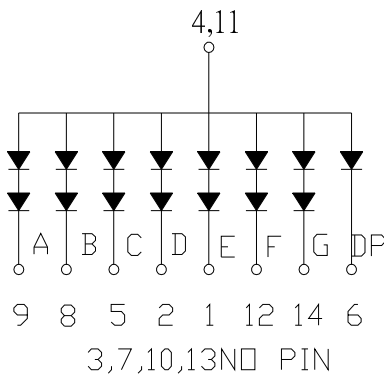
■ Package Dimensions and Pin Function

**OSL11001-IX
(Common Anode type)**

Note:

1, Unit : mm(Tolerance:±0.25mm unless otherwise noted)

2, The slope angle of any PIN may be ±5.0° Max

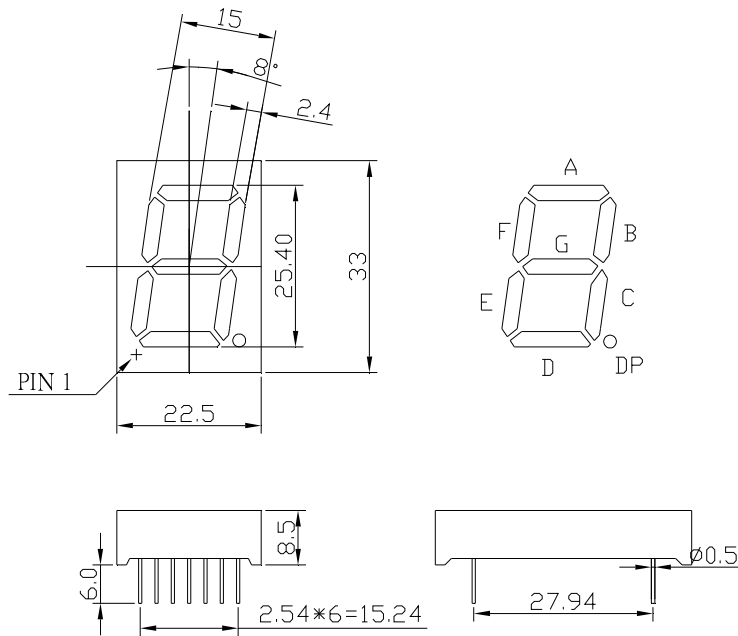
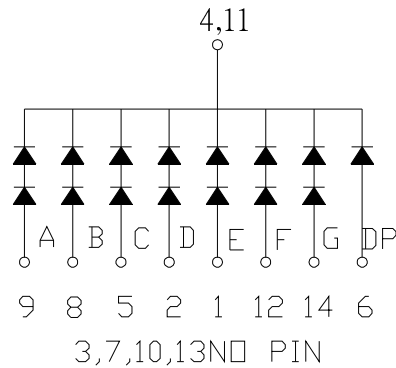


**OSL11001-LX
(Common Cathode type)**

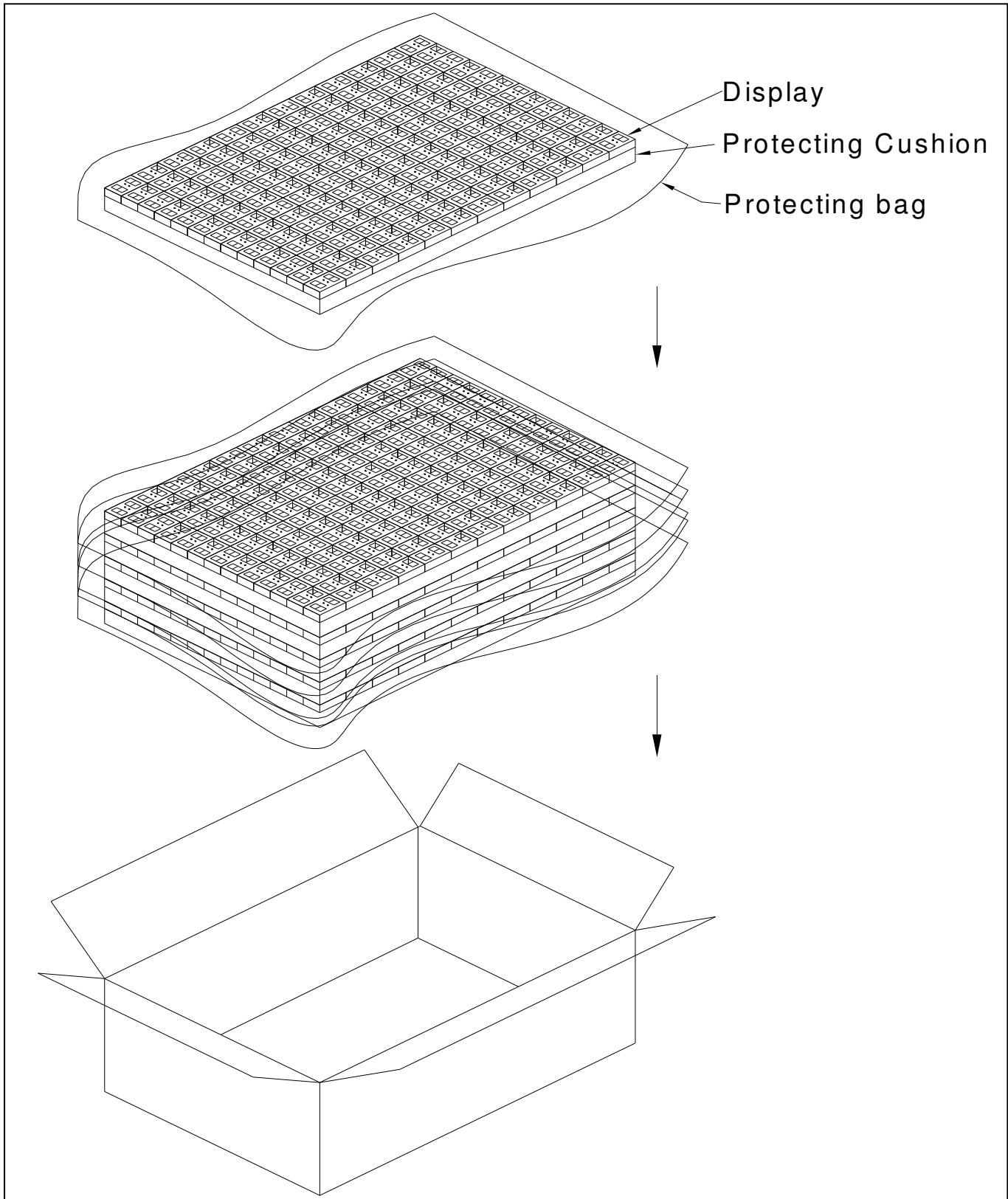
Note:

1, Unit : mm(Tolerance:±0.25mm unless otherwise noted)

2, The slope angle of any PIN may be ±5.0° Max



■ Packing DWG



X-ON Electronics

Largest Supplier of Electrical and Electronic Components

Click to view similar products for [LED Displays & Accessories](#) category:

Click to view products by [Optosupply](#) manufacturer:

Other Similar products are found below :

[LTC-2721WC](#) [LTC-4627G](#) [LTC-4627WC](#) [LTD-5021AWC](#) [LTM-8522G](#) [LTS-3361JG-06](#) [ELS-316SYGWA/S530-E2](#) [1668](#) [HT-F196NB-5323](#) [SA03-12EWA](#) [LDQ-N514RI](#) [LDS-A3506RD](#) [SI-B9T151550WW](#) [SI-B9V171550WW](#) [SLC-3PF-WL](#) [1624](#) [LTC-2621JD](#) [LTC-2623WC](#) [LTC-4624P](#) [LTC-4627JD](#) [LTP-1057AHR](#) [LTP-1457AKR](#) [LTP-3784G-01](#) [LTS-4812SKR-P](#) [LTS-6780P](#) [HV-7W30-6829](#) [CA12240_MINNIE-WWW-MTG-ASSY](#) [DA43-11GWA](#) [LDQ-N3402RI](#) [LDQ-N3606RI](#) [LDS-A3924RI-SI](#) [86004CB830](#) [LTP-3862JD](#) [LTP-2088AKD](#) [LTD-6740P](#) [LTC-4727E](#) [LTS-312AY](#) [LTC-2623E](#) [CC25-12YWA](#) [EADSF056RA1](#) [OPS-S3911LY-GW](#) [LDF-U8004BI](#) [SLCN-42M-G](#) [SLCN-42M-W](#) [LTC-3710G](#) [LTS-4801KF](#) [ACSA04-41QWWA/D](#) [OPS-S5620SB-GW](#) [OSL10396-LW](#) [HCMS-3974](#)