

1.0 Inch Single Digit Display
OSL11004-IW5 (Common Anode type)
OSL11004-LW5 (Common Cathode type)

■ **Features**

- 1.0 Inch Single Digit Display
- Long lifetime operation
- IC compatible
- Low power dissipation
- Black surface & white segment or dot
- **Number of pins :10**

■ **Applications**

- Counting device
- Clock

■ **Absolute Maximum Rating (Ta=25°C)**

Item	Symbol	Value	Unit
DC Forward Current	I _F	25	mA
Pulse Forward Current#	I _{FP}	100	mA
Reverse Voltage/Per Segment or (Dp)	V _R	10(5)	V
Power Dissipation/Per Segment or (Dp)	P _t	170(85)	mW
Operating Temperature	Topr	-30 ~ +70	°C
Storage Temperature	Tstg	-40~ +85	°C
Lead Soldering Temperature(1.6mm from seating plane)	Tsol	260°C/5sec	°C

#Pulse width Max.10ms Duty ratio max 1/10

■ **Electrical -Optical Characteristics (Ta=25°C)**

Part Number	Color			V _F (V) Per Segment or (Dp)			I _R (μA)	I _v (mcd)			Chromaticity Coordinates*		
				Min.	Typ.	Max.	Max.	Min.	Typ.	Max.	Min.	Typ.	Max.
				I _F =20mA			V _R =10V V _R =5V(Dp)	I _F =20mA					
OSL11004-IW5	Cool White	W		5.8 (2.9)	6.2 (3.1)	6.8 (3.4)	20	-	100	-	X=0.27 Y=0.28		
OSL11004-LW5	Cool White	W		5.8 (2.9)	6.2 (3.1)	6.8 (3.4)	20	-	100	-	X=0.27 Y=0.28		

*1 Tolerance of measurements of chromaticity coordinates is ±10%

*2 Tolerance of measurements of luminous intensity is ±15%

*3 Tolerance of measurements of forward voltage is ±0.1V

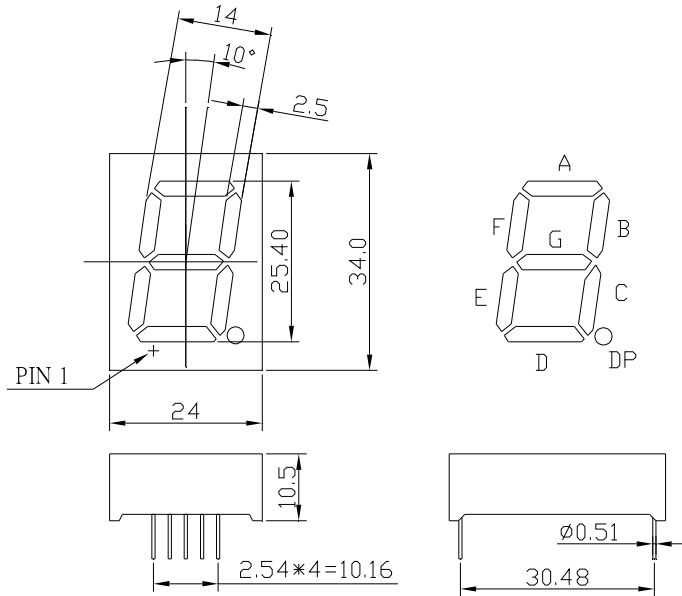
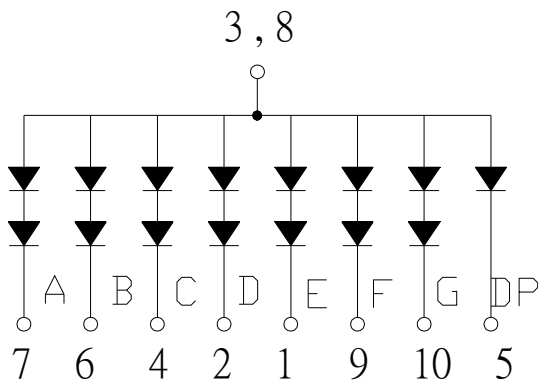
■ Package Dimensions and Pin Function

**OSL11004-IW5
(Common Anode type)**

Note:

1, Unit : mm(Tolerance:±0.25mm unless otherwise noted)

2, The slope angle of any PIN may be±5.0° Max

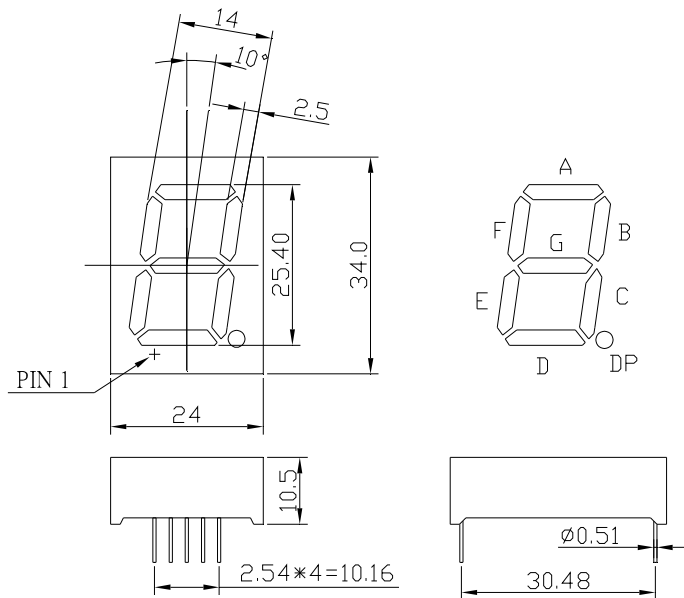
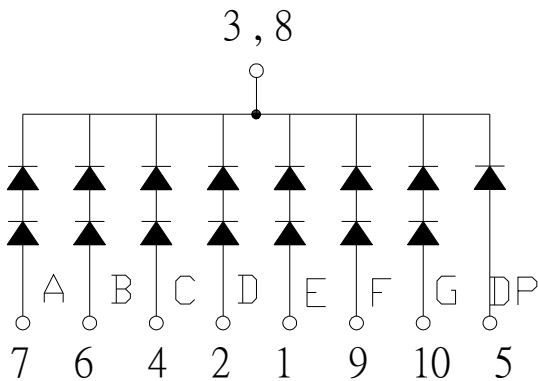


**OSL11004-LW5
(Common Cathode type)**

Note:

1, Unit : mm(Tolerance:±0.25mm unless otherwise noted)

2, The slope angle of any PIN may be±5.0° Max



X-ON Electronics

Largest Supplier of Electrical and Electronic Components

Click to view similar products for [LED Displays & Accessories](#) category:

Click to view products by [Optosupply](#) manufacturer:

Other Similar products are found below :

[LTC-2721WC](#) [LTC-4627G](#) [LTC-4627WC](#) [LTD-5021AWC](#) [LTM-8522G](#) [LTS-3361JG-06](#) [ELS-316SYGWA/S530-E2](#) [1668](#) [HT-F196NB-5323](#) [SA03-12EWA](#) [LDQ-N514RI](#) [LDS-A3506RD](#) [SI-B9T151550WW](#) [SI-B9V171550WW](#) [SLC-3PF-WL](#) [1624](#) [LTC-2621JD](#) [LTC-2623WC](#) [LTC-4624P](#) [LTC-4627JD](#) [LTP-1057AHR](#) [LTP-1457AKR](#) [LTP-3784G-01](#) [LTS-4812SKR-P](#) [LTS-6780P](#) [HV-7W30-6829](#) [CA12240_MINNIE-WWW-MTG-ASSY](#) [DA43-11GWA](#) [LDQ-N3402RI](#) [LDQ-N3606RI](#) [LDS-A3924RI-SI](#) [86004CB830](#) [LTP-3862JD](#) [LTP-2088AKD](#) [LTD-6740P](#) [LTC-4727E](#) [LTS-312AY](#) [LTC-2623E](#) [CC25-12YWA](#) [EADSF056RA1](#) [OPS-S3911LY-GW](#) [LDF-U8004BI](#) [SLCN-42M-G](#) [SLCN-42M-W](#) [LTC-3710G](#) [LTS-4801KF](#) [ACSA04-41QWWA/D](#) [OPS-S5620SB-GW](#) [OSL10396-LW](#) [HCMS-3974](#)