

■ Features

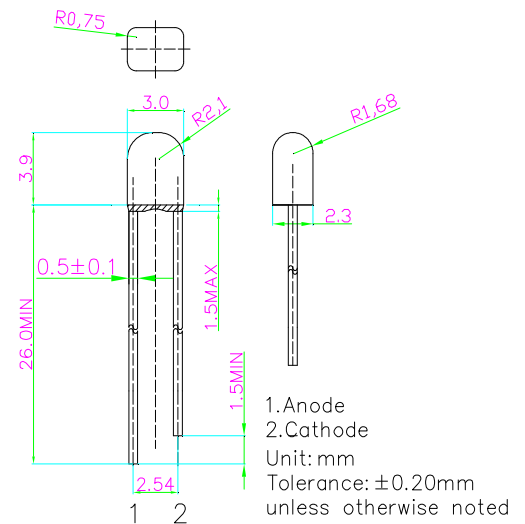
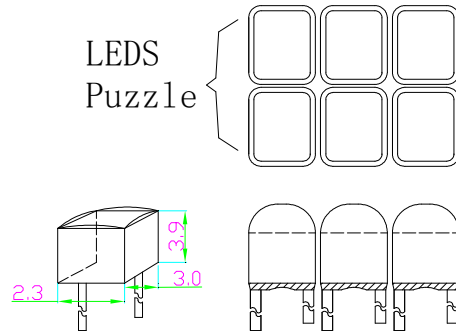
- High luminous Intensity
- Can be combined into different puzzle patterns
- UV resistant epoxy
- Water clear type

■ Applications

- LED light display
- Decorative lamps
- Creative DIY lights
- Toys & Games

■ Outline Dimension

■ Combination Reference



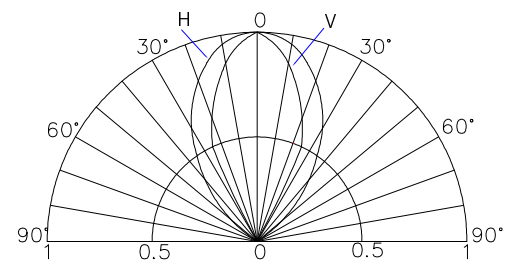
■ Absolute Maximum Rating

(Ta=25°C)

Item	Symbol	Value		Unit
		W/M/B/PG	Y/O/R	
DC Forward Current	I _F	30	30	mA
Pulse Forward Current#	I _{FP}	100	100	mA
Reverse Voltage	V _R	5	5	V
Power Dissipation	P _D	102	78	mW
Operating Temperature	T _{opr}	-30 ~ +85		°C
Storage Temperature	T _{stg}	-40 ~ +100		°C
Lead Soldering Temperature	T _{sol}	260°C/5sec		-

#Pulse width Max 0.1ms, Duty ratio max 1/10

■ Directivity



■ Electrical -Optical Characteristics

(Ta=25°C)

Part Number	Color		V _F (V)*			I _R (μA)	I _v (mcd)*			λ _D (nm)/CCT(K)*			2θ1/2(deg)
			Min.	Typ.	Max.		Min.	Typ.	Max.	Min.	Typ.	Max.	
			I _F =20mA			V _R =5V			I _F =20mA				
OSW54K6F71B	White	W	-	2.9	3.4	10	3000	4200	-	CCT:8000-18000K			70/50
OSM54K6F71B	Warm White	M	-	2.9	3.4	10	3000	4200	-	CCT:2700-3300K			70/50
OSB5DA6F71B	Blue	B	-	2.9	3.4	10	1120	1560	-	465	470	475	70/50
OSG58A6F71B	Pure Green	PG	-	2.9	3.4	10	3000	4200	-	520	525	530	70/50
OSY5PA6F71B	Yellow	Y	-	2.1	2.6	10	1120	1560	-	585	590	595	70/50
OSO5PA6F71B	Orange	O	-	2.1	2.6	10	1120	1560	-	600	605	610	70/50
OSR5PA6F71B	Red	R	-	2.1	2.6	10	1120	1560	-	620	625	630	70/50

*1 Tolerance of measurements of dominant wavelength is ±1nm

*2 Tolerance of measurements of chromaticity coordinate is ±10%

*3 Tolerance of measurements of luminous intensity is ±15%

*4 Tolerance of measurements of forward voltage is ±0.1V

X-ON Electronics

Largest Supplier of Electrical and Electronic Components

Click to view similar products for [Standard LEDs - Through Hole category:](#)

Click to view products by [Optosupply manufacturer:](#)

Other Similar products are found below :

[LTL-10234W](#) [LTL-10254W](#) [LTL-1214A](#) [LTL-2231AT](#) [LTL2H3HRKL13](#) [LTL-3251A](#) [LTL-4262N](#) [LTL-5234](#) [LTL87HTBK](#) [LTW-87HD4B](#) [LNX998CKBDA](#) [LP379PPG1C0G0300001](#) [SLR-342DUT32](#) [SLR-342VCTB7](#) [SLR343BCTT32](#) [SLX-LX3044GD](#) [SLX-LX3044ID](#) [SLX-LX3044YD](#) [SSS-LX4673ID-410B](#) [1L0532Y24I0TD001](#) [264-7SYGD/S530-E2](#) [HLMP1385](#) [LTL-10224W](#) [LTL-1224A](#) [LTL-1BEHJ-012](#) [LTL-307YE-012](#) [LTL-4231N-0L1](#) [LU7-E-B](#) [4380H1](#) [TLHY44K1L2](#) [339-9SUGSURSUBC/S1182](#) [L53SRC/E-Z](#) [L-7679C1ZGC](#) [4302T1-5V](#) [4306D23](#) [4363D1/5](#) [WP1503SRC/J4](#) [WP153GDT](#) [WP153YDT](#) [WP1543SGC](#) [WP1543SURC](#) [WP7113MBD](#) [WP7113MGC](#) [WP7143SEC/H](#) [Z-221A](#) [ZD0172](#) [SLR-332MCT32](#) [SLR-342DU3F](#) [SLR-56MCT32](#) [NSPL500S-F1F2/RS](#)