

CURRENT REGULATIVE LED

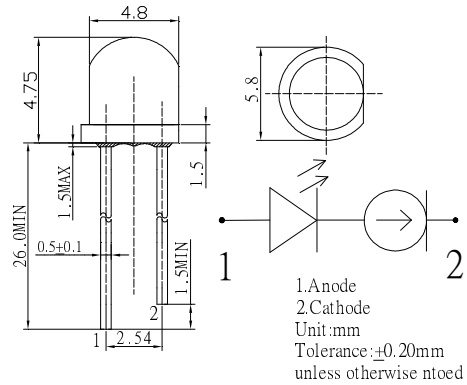
■ Outline Dimension

CRLED

- CRLED is LED which supplies constant current to keep LED Intensity Consistency even when power supply voltage fluctuations or load impedance fluctuations occur.
- CRLED is used with current stabilization and current limiting

■ Features

- High Luminous LEDs
- UV Resistant Epoxy
- Water Clear Type

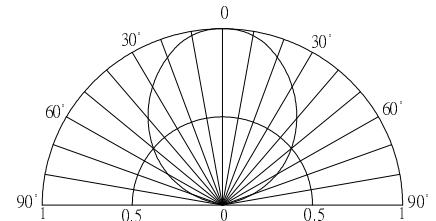


■ Absolute Maximum Rating

(Ta=25°C)

Item	Symbol	Value	Unit
DC Forward Voltage	V _F	20	V
Power Dissipation	P _D	320	mW
Operating Temperature	Topr	-30 ~ +85	°C
Storage Temperature	Tstg	-40 ~ +100	°C
Lead Soldering Temperature	Tsol	260°C/5sec	-

■ Directivity



■ Electrical -Optical Characteristics

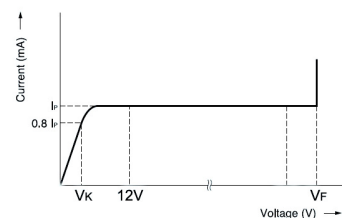
(Ta=25°C)

Part Number	Color	V _F (V)		I _F (mA)			I _R (μA)	I _v (mcd)*			λD(nm)*			2θ1/2(deg)
		Min	Max	Min	Typ.	Max.	Max..	Min.	Typ.	Max.	Min.	Typ.	Max.	Typ.
				V _F =12V			V _R =8V	V _F =12V						
OSW5DK56A1A-CRLED14	White	5.5	20	-	14	-	10	-	1700	-	X=0.27, Y=0.28			100
OSM5DK56A1A-CRLED14	Warm White	5.5	20	-	14	-	10	-	1500	-	X=0.45, Y=0.41			100
OSB64L56A1A-CRLED14	Ice Blue	5.5	20	-	14	-	10	-	1700	-	X=0.19, Y=0.29			100
OSB5SA56A1A-CRLED14	Blue	5.5	20	-	14	-	10	-	600	-	465	470	475	100
OSG5DA56A1A-CRLED14	Pure Green	5.5	20	-	14	-	10	-	2300	-	520	525	530	100
OSY5PA56A1A-CRLED14	Yellow	5	20	-	14	-	10	-	750	-	585	590	595	100
OSO5PA56A1A-CRLED14	Orange	5	20	-	14	-	10	-	850	-	600	605	610	100
OSR5PA56A1A-CRLED14	Red	5	20	-	14	-	10	-	750	-	620	625	630	100

- *1 Tolerance of measurements of chromaticity coordinate is ±10%
- *2 Tolerance of measurements of dominant wavelength is ±1nm
- *3 Tolerance of measurements of luminous intensity is ±15%
- *4 Tolerance of measurements of forward voltage is ±0.1V

■ Applications

- Electronic Signs And Signals/ Small Area Illuminations
- Back Lighting/ Toys/ Other Lighting

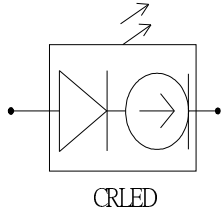


Explanation of terms
I_F Pinch-off current at 12v
V_k Voltage which produces 0.8Ip or greater current
V_F Breakdown voltage

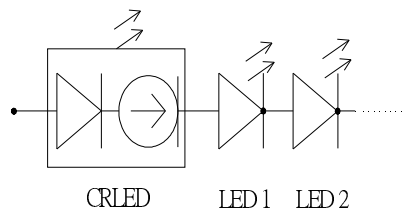
Current Regulative LED
4.8mm Straw LED
OSXXXX56A1A-CRLED14

■ **Typical Applications**

1: Single LED



2: Multi- LEDs in series



X-ON Electronics

Largest Supplier of Electrical and Electronic Components

Click to view similar products for [Optosupply](#) manufacturer:

Other Similar products are found below :

[OECCDD01-300](#) [OEHW2030GF](#) [OEHW2045GF](#) [OEHW2060GF](#) [OEHW2090GF](#) [OKLEDT02406A](#) [OKLEDT3050G5V](#)
[OKLEDT3050RBV](#) [OKLEDT3050RBW](#) [OKLEDT3050RPV](#) [OKLEDT3050RPW](#) [OKLEDT3050WAW](#) [OKLEDT30606A](#) [OKLEDT31005A](#)
[OKLEDT3100B5](#) [OKLEDT3100G8](#) [OKLEDT3100M3](#) [OKLEDT3100M4](#) [OKLEDT3100R6](#) [OKLEDT3100W6](#) [OKLEDT3100WA](#)
[OKLEDT3100Y5](#) [OKLEDT31203A](#) [OKLEDT31206A](#) [OKLEDT5050B5W](#) [OKLEDT5050G5W](#) [OKLEDT5050RBV](#) [OKLEDT5050RBW](#)
[OKLEDT5050RPW](#) [OKLEDT5050TAV](#) [OKLEDT5050TAW](#) [OKLEDT5050W6P](#) [OKLEDT5050WAV](#) [OKLEDT5050WAW](#)
[OKLEDT50606A](#) [OKLEDT50606B](#) [OKLEDT51005A](#) [OKLEDT5100B5](#) [OKLEDT5100G8](#) [OKLEDT5100M3](#) [OKLEDT5100M4](#)
[OKLEDT5100R6](#) [OKLEDT5100W6](#) [OKLEDT5100WA](#) [OKLEDT5100Y5](#) [OKLEDT51203A](#) [OKLEDT51206A](#) [OKLEDT8050G5V](#)
[OKLEDT8050G5W](#) [OKLEDT8050M3V](#)