

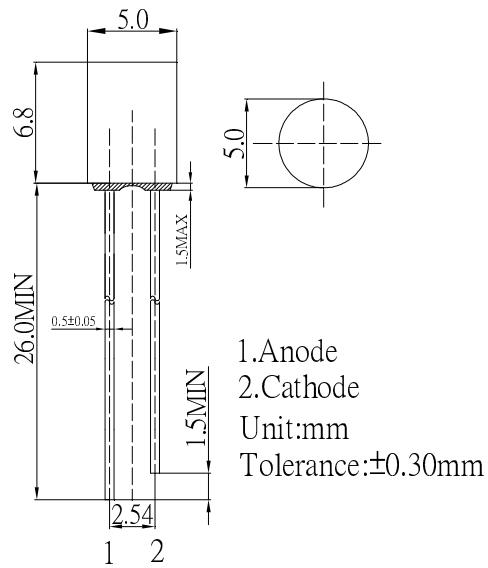
**■ Features**

- High Luminous LEDs
- 5mm Flat Top Standard Directivity
- UV Resistant Epoxy
- Color Diffused / White Diffused for White LEDs

**■ Applications**

- Electronic Signs And Signals
- Small Area Illuminations
- Back Lighting
- Other Lighting

**■ Outline Dimension**

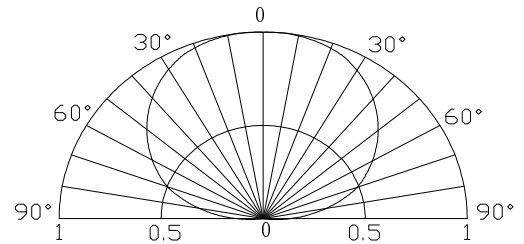


**■ Absolute Maximum Rating**

(Ta=25°C)

| Item                       | Symbol          | Value      |       | Unit |
|----------------------------|-----------------|------------|-------|------|
|                            |                 | W/M/B/G    | Y/O/R |      |
| DC Forward Current         | I <sub>F</sub>  | 30         | 30    | mA   |
| Pulse Forward Current#     | I <sub>FP</sub> | 100        | 100   | mA   |
| Reverse Voltage            | V <sub>R</sub>  | 5          | 5     | V    |
| Power Dissipation          | P <sub>D</sub>  | 108        | 78    | mW   |
| Operating Temperature      | Topr            | -30 ~ +85  |       | °C   |
| Storage Temperature        | Tstg            | -40 ~ +100 |       | °C   |
| Lead Soldering Temperature | Tsol            | 260°C/5sec |       | -    |

**■ Directivity**



#Pulse width Max.10ms Duty ratio max 1/10

**■ Electrical -Optical Characteristics**

(Ta=25°C)

| Part Number | Color      |   |   | V <sub>F</sub> (V)*  |      |      | I <sub>R</sub> (μA) | I <sub>v</sub> (mcd)* |      |                      | λ <sub>D</sub> (nm)* |      |      | θ1/2 (deg) |
|-------------|------------|---|---|----------------------|------|------|---------------------|-----------------------|------|----------------------|----------------------|------|------|------------|
|             |            |   |   | Min.                 | Typ. | Max. | Max.                | Min.                  | Typ. | Max.                 | Min.                 | Typ. | Max. | Typ.       |
|             |            |   |   | I <sub>F</sub> =20mA |      |      | V <sub>R</sub> =5V  |                       |      | I <sub>F</sub> =20mA |                      |      |      |            |
| OSW5DK5GE2B | White      | W |   | -                    | 2.9  | 3.4  | 10                  | 1120                  | 1560 | -                    | *CCT:8000-18000K     |      |      | 140        |
| OSM5DK5GE2B | Warm White | M | ☐ | -                    | 2.9  | 3.4  | 10                  | 750                   | 1120 | -                    | *CCT:2700-3300K      |      |      | 140        |
| OSB5SA5GE4B | Blue       | B | ☐ | -                    | 2.9  | 3.4  | 10                  | 220                   | 330  | -                    | 465                  | 470  | 475  | 140        |
| OSG5DA5GE4B | Pure Green | G | ☐ | -                    | 2.9  | 3.4  | 10                  | 750                   | 1120 | -                    | 520                  | 525  | 530  | 140        |
| OSY5PA5GE4B | Yellow     | Y | ☐ | -                    | 2.1  | 2.6  | 10                  | 330                   | 500  | -                    | 585                  | 590  | 595  | 140        |
| OSO5PA5GE4B | Orange     | O | ☐ | -                    | 2.1  | 2.6  | 10                  | 500                   | 750  | -                    | 600                  | 605  | 610  | 140        |
| OSR5PA5GE4B | Red        | R | ☐ | -                    | 2.1  | 2.6  | 10                  | 330                   | 500  | -                    | 620                  | 625  | 630  | 140        |

\*1 Tolerance of measurements of dominant wavelength is ±1nm

\*2 Tolerance of measurements of CCT is ±10%

\*3 Tolerance of measurements of luminous intensity is ±15%

\*4 Tolerance of measurements of forward voltage is ±0.1V

## X-ON Electronics

Largest Supplier of Electrical and Electronic Components

*Click to view similar products for [Optosupply](#) manufacturer:*

Other Similar products are found below :

[OSB5SA5111A-CRLED16](#) [OSB5SA83C1A](#) [OSX10201-YGR1](#) [OS5YKP5111A](#) [OS5YPM8131A](#) [OS5YAA5HA4D-1-ST](#) [OS6OGA5B61P](#)  
[OSW5DK5A31A-CRLED18](#) [OSY5PA5A31A-1MA](#) [OSO5JA3FE1B-12V](#) [OKLEDT30606A](#) [OSPT9054X3A](#) [OKLEDT5050RPW](#)  
[OSL10564-IB](#) [OSO5PA58A1B-12V](#) [OKLEDT8050G5W](#) [OKLEDT8050RPW](#) [OSGGD251A5A](#) [OKLEDT3050RBW](#) [OSYYP251A5A](#)  
[OKLEDT5050B5W](#) [OSB5DA3HA1F](#) [OSYBP2A131A](#) [OKLEDT3050RBV](#) [OKLEDT3050WAW](#) [OSL12306-16-IRA](#) [OSY5MP5A34A-](#)  
[6.8HZ](#) [OKLEDT5050RBV](#) [OKLEDT8050RBV](#) [OKLEDT3050RPW](#) [OKLEDT5050WAV](#) [OSWRP23962B](#) [OKLEDT5050TAW](#)  
[OKLEDT8050G5V](#) [OKLEDT8050WAW](#) [OSY5MSA131A](#) [OSXD2201-AGA](#) [OKLEDT3050RPV](#) [OKLEDT5050RBW](#) [OSL10601-IRA](#)  
[OKLEDT8050RPV](#) [OKLEDT8050TAW](#) [OSL10326-LY](#) [OKLEDT5050WAW](#) [OSCM4TS4C1A](#) [OSM5XAHEE1E](#) [OS6OGA3131P](#)  
[OSL10564-IYG](#) [OSO5PA56A1A-CRLED14](#) [OSRGH23NE2A](#)