

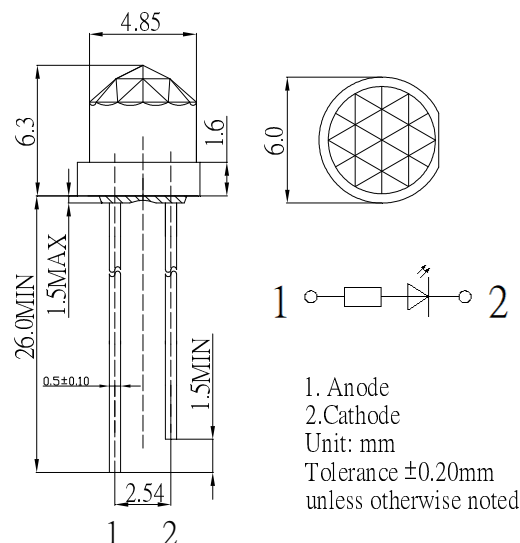
■ Features

- High Luminous LEDs
- 4.85mm Diamond Standard Directivity
- UV Resistant Epoxy
- Integral Current Limiting Resistor
- TTL Compatible (Requires No External Current Limiter With 12 Volt Supply)
- Cost Effective (Saves Space and Resistor Cost)
- Water Clear Type

■ Applications

- Status Indicators
- Other Lighting

■ Outline Dimension

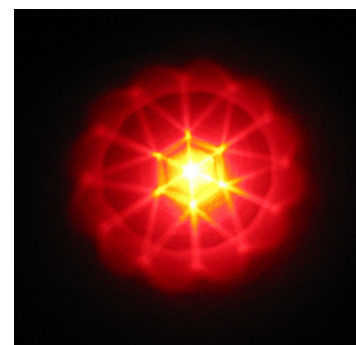


■ Absolute Maximum Rating

($T_a=25^\circ\text{C}$)

Item	Symbol	Value	Unit
DC Forward Voltage	V_F	15	V
Reverse Voltage	V_R	5	V
Power Dissipation	P_D	225	mW
Operating Temperature	T_{opr}	-30 ~ +85	$^\circ\text{C}$
Storage Temperature	T_{stg}	-30 ~ +85	$^\circ\text{C}$
Lead Soldering Temperature	T_{sol}	260 $^\circ\text{C}$ /5sec	-

■ Directivity



■ Electrical -Optical Characteristics

($T_a=25^\circ\text{C}$)

Part Number	Color		I_F (mA)			I_v (mcd)*			λ_D (nm)*			$2\theta_{1/2}$ (deg)
			Min	Typ.	Max.	Min.	Typ.	Max.	Min.	Typ.	Max.	Typ.
			$V_F=12\text{V}$			$V_F=12\text{V}$						
OSW5DKEDD1A-12V	White	W	-	10	15	1560	2180	-	X=0.27, Y=0.28(8500-18000K)			-
OSM5DKEDD1A-12V	Warm White	M	-	10	15	1120	1560	-	X=0.44, Y=0.41(2700-3200K)			-
OSK5DKEDD1A-12V	Pink	K	-	10	15	500	750	-	X:0.45 Y:0.17			-
OSB5SAEDD1A-12V	Blue	B	-	10	15	750	1120	-	465	470	475	-
OSG5DAEDD1A-12V	Pure Green	PG	-	10	15	1560	2180	-	520	525	530	-
OSY5PAEDD1A-12V	Yellow	Y	-	10	15	750	1120	-	585	590	595	-
OSO5PAEDD1A-12V	Orange	O	-	10	15	750	1120	-	600	605	610	-
OSR5PAEDD1A-12V	Red	R	-	10	15	750	1120	-	620	625	630	-

*1 Tolerance of measurements of chromaticity coordinate is $\pm 10\%$

*2 Tolerance of measurements of luminous intensity is $\pm 15\%$

*3 Tolerance of measurements of dominant wavelength is $\pm 1\text{nm}$

X-ON Electronics

Largest Supplier of Electrical and Electronic Components

Click to view similar products for [Standard LEDs - Through Hole category](#):

Click to view products by [Optosupply manufacturer](#):

Other Similar products are found below :

[LTL-10234W](#) [LTL-10254W](#) [LTL-1214A](#) [LTL-2231AT](#) [LTL2H3HRKL13](#) [LTL-3251A](#) [LTL-4262N](#) [LTL-5234](#) [LTL87HTBK](#) [LTW-87HD4B](#) [7383/V7C3-BSTA-L/PR3/MS](#) [1L0532V23G0TD001](#) [LNX998CKBDA](#) [LO566UHR3-70G-A3](#) [LP379PPG1C0G0300001](#) [SLR-322MCT32](#) [SLR-342VCTB7](#) [SLR343BCTT32](#) [SLX-LX3044GD](#) [SLX-LX3044ID](#) [SLX-LX3044YD](#) [SSS-LX4673ID-410B](#)
[1L0532Y24I0TD001](#) [264-7SYGD/S530-E2](#) [HLMP1385](#) [LTL-10224W](#) [LTL-1224A](#) [LTL-1BEHJ-012](#) [LU7-E-B](#) [4380H1](#) [TLHY44K1L2](#)
[484-10SYGT/S530-E2](#) [L53SRC/E-Z](#) [L-7679C1ZGC](#) [4302T1-5V](#) [4306D23](#) [4363D1/5](#) [WP1503SRC/J4](#) [WP153GDT](#) [WP153YDT](#)
[WP1543SGC](#) [WP1543SURC](#) [WP7113HD](#) [WP7113MBD](#) [WP7143SEC/H](#) [Z-221A](#) [ZD0172](#) [EALP05RDEWA2](#) [SLR-332MCT32](#) [SLR-342DU3F](#)