

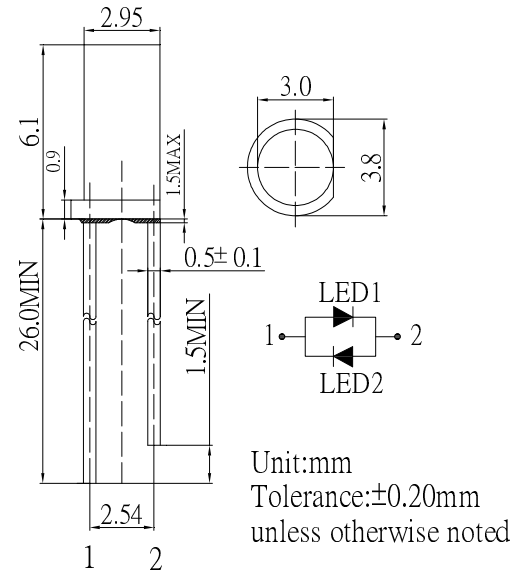
■ **Features**

- High Luminous LEDs
- 3mm Cylindrical Flat Top Standard Directivity
- UV Resistant Epoxy
- Color Diffused / W&M: White Diffused
- AC LED

■ **Applications**

- Toys
- Audio
- Games
- Other Lighting

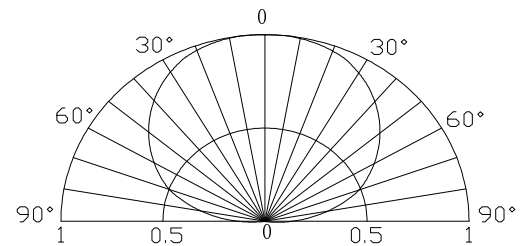
■ **Outline Dimension**



■ **Absolute Maximum Rating (Ta=25°C)**

| Item | Symbol | Value | | Unit |
|----------------------------|------------------|------------|----------|------|
| | | W/M/B/PG | YG/Y/O/R | |
| DC Forward Current | I _F | 30 | 30 | mA |
| Pulse Forward Current* | I _{FP} | 100 | 100 | mA |
| Reverse Voltage | V _R | 5 | 5 | V |
| Power Dissipation | P _D | 102 | 78 | mW |
| Operating Temperature | T _{opr} | -30 ~ +85 | | °C |
| Storage Temperature | T _{stg} | -40~ +100 | | °C |
| Lead Soldering Temperature | T _{sol} | 260°C/5sec | | - |

■ **Directivity**



*Pulse width Max.10ms Duty ratio max 1/10

| Part Number | Color | | | V _F (V) | | | I _v (mcd) | | | λD(nm)/CCT(K) | | | θ1/2(deg) |
|-------------|--------------|----|---|----------------------|------|------|----------------------|------|------|------------------|------|------|-----------|
| | | | | Min. | Typ. | Max. | Min. | Typ. | Max. | Min. | Typ. | Max. | Typ. |
| | | | | I _F =20mA | | | I _F =20mA | | | | | | |
| OSWWD23NE2A | White | W | | 2.7 | 2.9 | 3.4 | 750 | 1120 | - | CCT: 8500-18000K | | | 140 |
| OSMMD23NE2A | Warm White | M | ■ | 2.7 | 2.9 | 3.4 | 750 | 1120 | - | CCT:2700-3300K | | | 140 |
| OSBBS23NE4A | Blue | B | ■ | 2.7 | 2.9 | 3.4 | 330 | 500 | - | 465 | 465 | 475 | 140 |
| OSPPD23NE4A | Pure Green | PG | ■ | 2.7 | 2.9 | 3.4 | 750 | 1120 | - | 520 | 525 | 530 | 140 |
| OSGGH23NE4A | Yellow Green | YG | ■ | 1.8 | 2.1 | 2.6 | 68 | 100 | - | 565 | 570 | 575 | 140 |
| OSYYR23NE4A | Yellow | Y | ■ | 1.8 | 2.1 | 2.6 | 150 | 220 | - | 585 | 590 | 595 | 140 |
| OSOOJ23NE4A | Orange | O | ■ | 1.8 | 2.1 | 2.6 | 150 | 220 | - | 600 | 605 | 610 | 140 |
| OSRRR23NE4A | Red | R | ■ | 1.8 | 2.1 | 2.6 | 150 | 220 | - | 620 | 625 | 630 | 140 |

*1 Tolerance of measurements of Domi. wavelength is ±1nm
*3 Tolerance of measurements of luminous intensity is ±15%

*2 Tolerance of measurements of chromaticity coordinates is +10%
*4 Tolerance of measurements of forward voltage is ±0.1V

X-ON Electronics

Largest Supplier of Electrical and Electronic Components

Click to view similar products for [Optosupply](#) manufacturer:

Other Similar products are found below :

[OECCDD01-300](#) [OEHW2030GF](#) [OEHW2045GF](#) [OEHW2060GF](#) [OEHW2090GF](#) [OKLEDT3050G5V](#) [OKLEDT3050RBV](#)
[OKLEDT3050RBW](#) [OKLEDT3050RPV](#) [OKLEDT3050RPW](#) [OKLEDT3050WAW](#) [OKLEDT30606A](#) [OKLEDT3100B5](#) [OKLEDT3100G8](#)
[OKLEDT3100M3](#) [OKLEDT3100M4](#) [OKLEDT3100R6](#) [OKLEDT3100W6](#) [OKLEDT3100Y5](#) [OKLEDT31203A](#) [OKLEDT31206A](#)
[OKLEDT5050B5W](#) [OKLEDT5050G5W](#) [OKLEDT5050RBV](#) [OKLEDT5050RBW](#) [OKLEDT5050RPW](#) [OKLEDT5050TAW](#)
[OKLEDT5050WAV](#) [OKLEDT50606A](#) [OKLEDT50606B](#) [OKLEDT5100B5](#) [OKLEDT5100G8](#) [OKLEDT5100M3](#) [OKLEDT5100R6](#)
[OKLEDT5100W6](#) [OKLEDT5100WA](#) [OKLEDT5100Y5](#) [OKLEDT51203A](#) [OKLEDT8050G5V](#) [OKLEDT8050G5W](#) [OKLEDT8050M3V](#)
[OKLEDT8050R5V](#) [OKLEDT8050RBV](#) [OKLEDT8050RPW](#) [OKLEDT8050WAW](#) [OPDK-G5DA8B31F](#) [OPDK-W5DK8B31F](#) [OPDK-](#)
[Y5CA8B31F](#) [OPDO-M5DK8B31F](#) [OS2MDK3131A](#)