

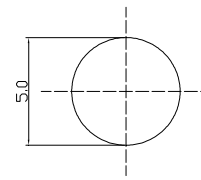
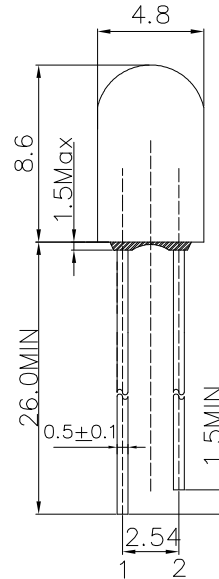
■Features

- 5mm Round Standard Directivity
- UV Resistant Epoxy
- RoHS Compliant
- Green Diffused Type
- Ammo Pack

■Applications

- Toys
- Games
- Audio
- Christmas Light

■Outline Dimension



1: Anode
2: Cathode
Unit: mm
Tolerance: ±0.25mm
unless otherwise noted

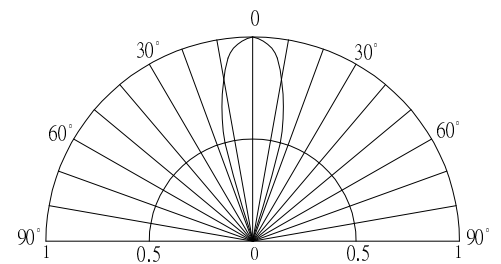
■Absolute Maximum Rating

(Ta=25°C)

Item	Symbol	Value	Unit
DC Forward Current	I _F	30	mA
Pulse Forward Current#	I _{FP}	100	mA
Reverse Voltage	V _R	5	V
Power Dissipation	P _D	78	mW
Operating Temperature	T _{opr}	-30~ +85	°C
Storage Temperature	T _{stg}	-40 ~ +100	°C
Lead Soldering Temperature	T _{sol}	260°C/5sec	-

#Pulse width Max.10ms , Duty ratio max 1/10

■Directivity



■Electrical -Optical Characteristics

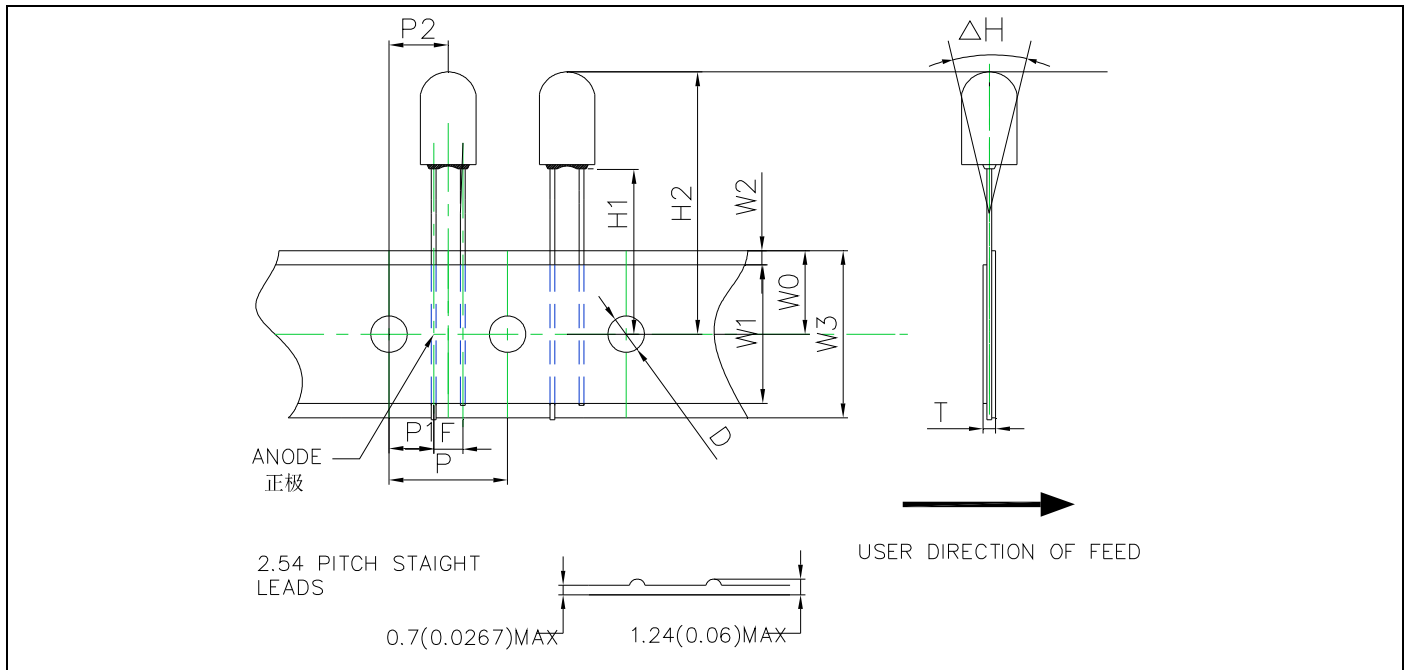
(Ta=25°C)

Item	Symbol	Condition	Min.	Typ.	Max.	Unit
DC Forward Voltage*1	V _F	I _F =20mA	1.8	2.1	2.6	V
DC Reverse Current	I _R	V _R =5V	-	-	10	μA
Domi. Wavelength*2	λ _D	I _F =20mA	565	570	575	nm
Luminous Intensity*3	I _v	I _F =20mA	68	100	-	mcd
50% Power Angle	2θ _{1/2}	I _F =20mA	-	30	-	deg

*1 Tolerance of measurements of forward voltage is ±0.1V

*2 Tolerance of measurements of dominant wavelength is ±1nm

*3 Tolerance of measurements of luminous intensity is ±15%



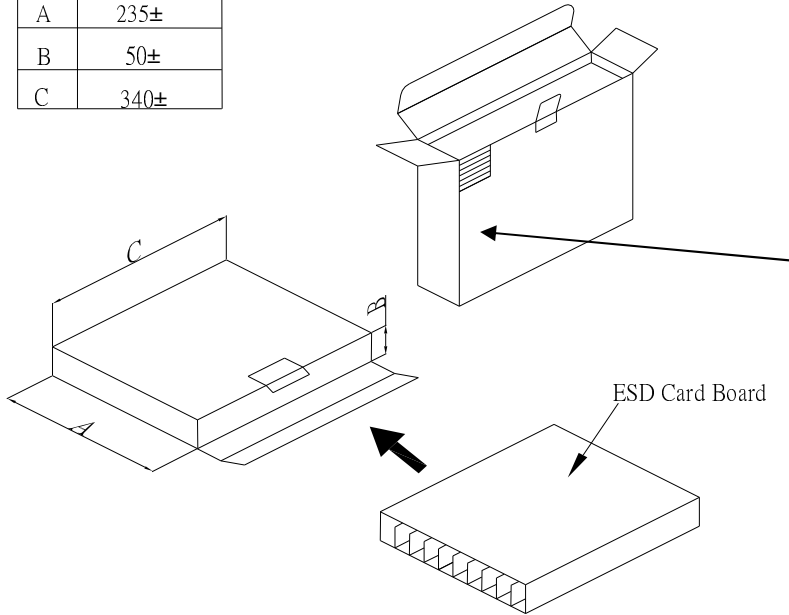
Taping Outline Dimensions

ITEM	SYMBOL	SPECIFICATION			
		Millimeter		Inch	
		Size	Tolerance	Size	Tolerance
Tape Feed Hole Diameter	D	4.0	±0.2	0.157	±0.008
Component Lead Pitch	F	2.54	±0.3	0.197	±0.012
Front To Rear Deflection	Δ H	-	MAX2.0	-	MAX0.079
Feed Hole To Bottom Of Component	H1	21.5	±0.5	0.846	±0.020
Feed Hole To Overall Component Height	H2	30.2	±0.5	1.189	±0.020
Feed Hole Pitch	P	12.7	±0.3	0.5	±0.012
Lead Location	P1	5.0	±0.7	0.197	±0.027
Center Component Location	P2	6.35	±1.3	0.25	±0.051
Overall Taped Package Thickness	T	-	MAX1.42	-	MAX0.056
Feed Hole Location	W0	9.0	±0.5	0.354	±0.020
Adhesive Tape Width	W1	13.0	±0.5	0.512	±0.020
Adhesive Tape Position	W2	-	MAX4.0		MAX0.157
Taped Width	W3	18.0	±0.5	0.709	±0.020

Packing

Unit: mm

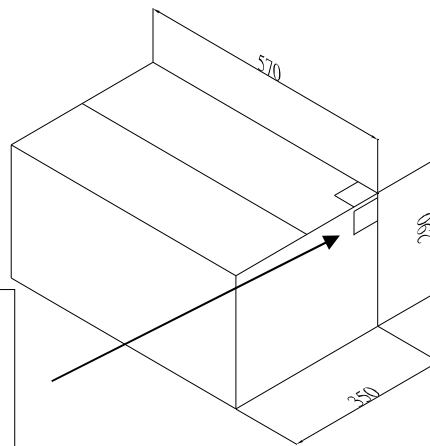
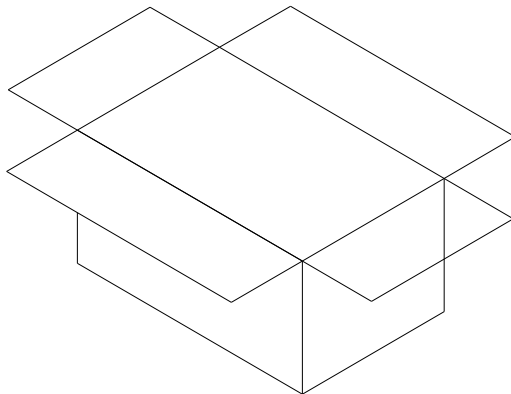
A	235±
B	50±
C	340±



- 1.Package: Box(2000pcs/box)
- 2.Indication: Below indicate the label Details which affix to box.

LED LAMPS	
PART NO:	_____
LOT NO:	_____
IV:	_____
VF:	_____
COLOR:	_____
QTY:	_____
QC:	_____

3.Packaging methods: 10 Boxes/carton



LED LAMPS	
PART NO:	_____
LOT NO:	_____
IV:	_____
VF:	_____
COLOR:	_____
QTY:	_____
QC:	_____

- 3.1 There are 10 Boxes in carton, totally 20,000pcs/carton.
- 3.2 The dimension of outer carton is 480*355*275mm.

X-ON Electronics

Largest Supplier of Electrical and Electronic Components

Click to view similar products for [Standard LEDs - Through Hole category](#):

Click to view products by [Optosupply manufacturer](#):

Other Similar products are found below :

[LTL-10234W](#) [LTL-10254W](#) [LTL-1214A](#) [LTL-2231AT](#) [LTL2H3HRKL13](#) [LTL-3251A](#) [LTL-4262N](#) [LTL-5234](#) [LTL87HTBK](#) [LTW-87HD4B](#) [7383/V7C3-BSTA-L/PR3/MS](#) [1L0532V23G0TD001](#) [LNX998CKBDA](#) [LO566UHR3-70G-A3](#) [LP379PPG1C0G0300001](#) [SLR-322MCT32](#) [SLR-342VCTB7](#) [SLR343BCTT32](#) [SLX-LX3044GD](#) [SLX-LX3044ID](#) [SLX-LX3044YD](#) [SSS-LX4673ID-410B](#)
[1L0532Y24I0TD001](#) [264-7SYGD/S530-E2](#) [HLMP1385](#) [LTL-10224W](#) [LTL-1224A](#) [LTL-1BEHJ-012](#) [LU7-E-B](#) [4380H1](#) [TLHY44K1L2](#)
[484-10SYGT/S530-E2](#) [L53SRC/E-Z](#) [L-7679C1ZGC](#) [4302T1-5V](#) [4306D23](#) [4363D1/5](#) [WP1503SRC/J4](#) [WP153GDT](#) [WP153YDT](#)
[WP1543SGC](#) [WP1543SURC](#) [WP7113HD](#) [WP7113MBD](#) [WP7143SEC/H](#) [Z-221A](#) [ZD0172](#) [EALP05RDEWA2](#) [SLR-332MCT32](#) [SLR-342DU3F](#)