

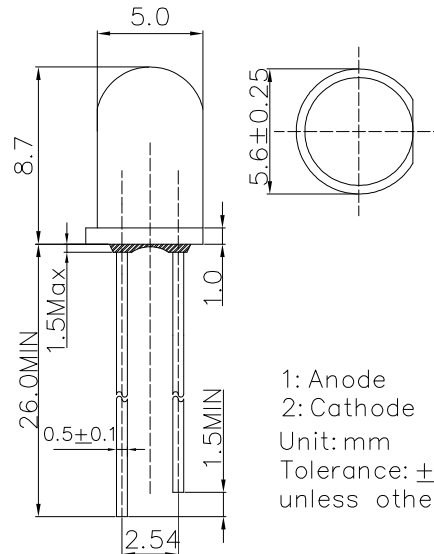
■ **Features**

- Normal Bright LEDs
- 5mm Standard Directivity
- UV Resistant Epoxy
- Color Diffused Type
- Ammo Pack

■ **Applications**

- Toys
- Games
- Audio
- Christmas Light
- Indications

■ **Outline Dimension**

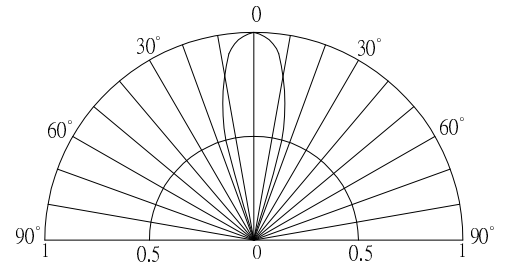


■ **Absolute Maximum Rating**

( $T_a=25^\circ\text{C}$ )

Item	Symbol	Value	Unit
		NG/NY/NR	
DC Forward Current	$I_F$	30	mA
Pulse Forward Current#	$I_{FP}$	100	mA
Reverse Voltage	$V_R$	5	V
Power Dissipation	$P_D$	72	mW
Operating Temperature	$T_{opr}$	-30 ~ +85	$^\circ\text{C}$
Storage Temperature	$T_{stg}$	-40 ~ +100	$^\circ\text{C}$
Lead Soldering Temperature	$T_{sol}$	260 $^\circ\text{C}$ /5sec	-




■ **Directivity**



#Pulse width Max.10ms Duty ratio max 1/10

■ **Electrical -Optical Characteristics**

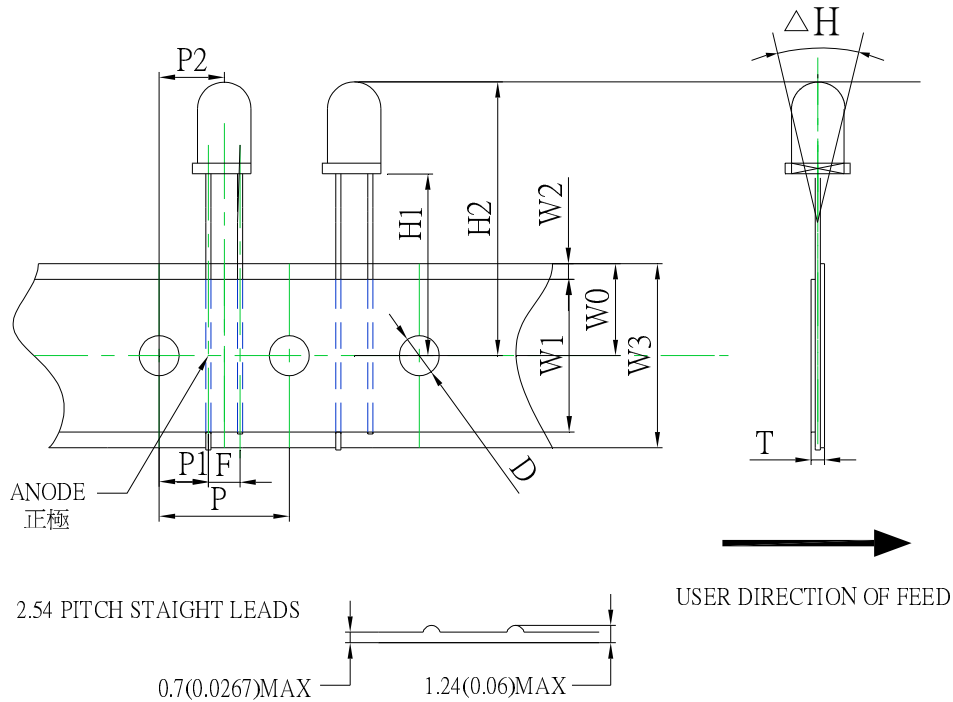
( $T_a=25^\circ\text{C}$ )

Part Number	Color			$V_F$ (V)			$I_R$ ( $\mu\text{A}$ )	$I_v$ (mcd)			$\lambda D$ (nm)			$\theta_{1/2}$ (deg)
				Min.	Typ.	Max.	Max.	Min.	Typ.	Max.	Min.	Typ.	Max.	Typ.
				$I_F=20\text{mA}$			$V_R=5\text{V}$	$I_F=20\text{mA}$						
OSNG5134A-T	Yellow Green	NG		1.8	2.0	2.4	10	10	15	-	565	570	575	30
OSNY5134A-T	Yellow	NY		1.8	2.0	2.4	10	15	20	-	585	590	595	30
OSNR5134A-T	Red	NR		1.8	2.0	2.4	10	10	15	-	630	640	650	30

\*1 Tolerance of measurements of dominant wavelength is  $\pm 1\text{nm}$

\*2 Tolerance of measurements of luminous intensity is  $\pm 15\%$

\*3 Tolerance of measurements of forward voltage is  $\pm 0.1\text{V}$



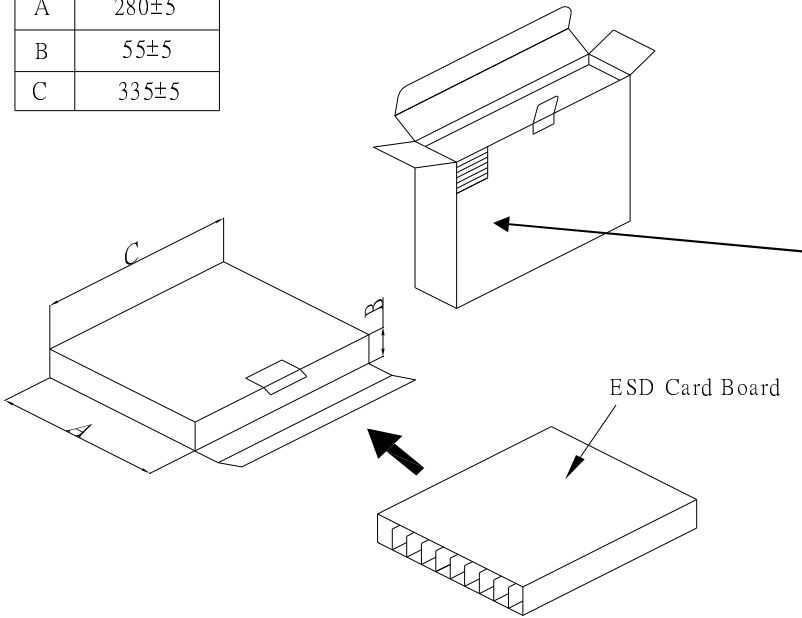
**Taping Outline Dimensions**

ITEM	SYMBOL	SPECIFICATION			
		Millimeter		Inch	
		Size	Tolerance	Size	Tolerance
Tape Feed Hole Diameter	D	4.0	±0.2	0.157	±0.001
Component Lead Pitch	F	2.54	±0.3	0.197	±0.020
Front To Rear Deflection	Δ H	-	MAX2.0	-	MAX0.079
Feed Hole To Bottom Of Component	H1	21.5	±0.5	0.925	±0.020
Feed Hole To Overall Component Height	H2	30.2	±0.5	1.189	±0.020
Feed Hole Pitch	P	12.7	±0.3	0.5	±0.012
Lead Location	P1	5.0	±0.7	0.197	±0.020
Center Component Location	P2	6.35	±1.3	0.25	±0.051
Overall Taped Package Thickness	T	-	MAX1.42	-	MAX0.056
Feed Hole Location	W0	9.0	±0.5	0.354	±0.020
Adhesive Tape Width	W1	13.0	±0.5	0.512	±0.020
Adhesive Tape Position	W2	-	MAX4.0		MAX0.157
Taped Width	W3	18.0	±0.5	0.709	±0.020

**Packing**

Unit: mm

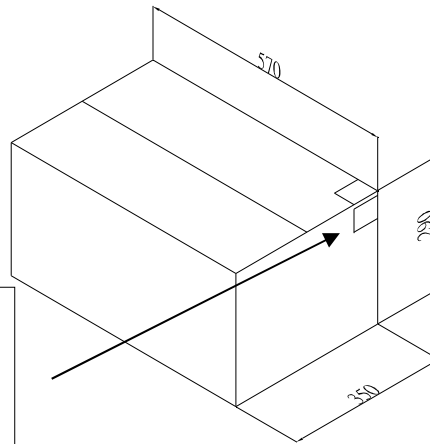
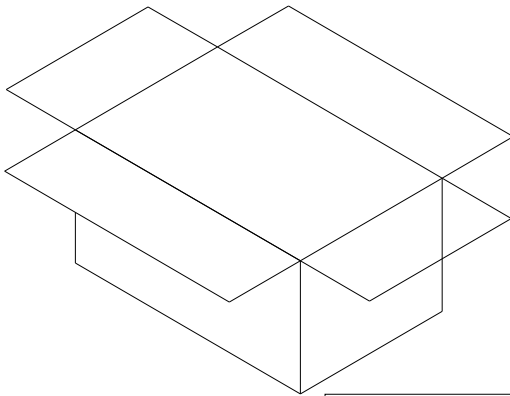
A	280±5
B	55±5
C	335±5



- 1.Package: Box(2000pcs/box)
- 2.Indication: Below indicate the label Details which affix to box.

LED LAMPS  
 PART NO: \_\_\_\_\_  
 LOT NO: \_\_\_\_\_  
 IV: \_\_\_\_\_  
 VF: \_\_\_\_\_  
 COLOR: \_\_\_\_\_  
 QTY: \_\_\_\_\_  
 QC: \_\_\_\_\_

3.Packaging methods: 10 Boxes/carton



LED LAMPS  
 PART NO: \_\_\_\_\_  
 LOT NO: \_\_\_\_\_  
 IV: \_\_\_\_\_  
 VF: \_\_\_\_\_  
 COLOR: \_\_\_\_\_  
 QTY: \_\_\_\_\_  
 QC: \_\_\_\_\_

- 3.1 There are 10 Boxes in carton, totally 20,000pcs/carton.
- 3.2 The dimension of outer carton is 570\*350\*290mm.

## X-ON Electronics

Largest Supplier of Electrical and Electronic Components

*Click to view similar products for [Standard LEDs - Through Hole category:](#)*

*Click to view products by [Optosupply manufacturer:](#)*

Other Similar products are found below :

[LTL-10234W](#) [LTL-10254W](#) [LTL-1214A](#) [LTL-2231AT](#) [LTL2H3HRKL13](#) [LTL-3251A](#) [LTL-4262N](#) [LTL-5234](#) [LTL87HTBK](#) [LTW-87HD4B](#) [7383/V7C3-BSTA-L/PR3/MS](#) [1L0532V23G0TD001](#) [LNX998CKBDA](#) [LO566UHR3-70G-A3](#) [LP379PPG1C0G0300001](#) [SLR-322MCT32](#) [SLR-342VCTB7](#) [SLR343BCTT32](#) [SLX-LX3044GD](#) [SLX-LX3044ID](#) [SLX-LX3044YD](#) [SSS-LX4673ID-410B](#)  
[1L0532Y24I0TD001](#) [264-7SYGD/S530-E2](#) [HLMP1385](#) [LTL-10224W](#) [LTL-1224A](#) [LTL-1BEHJ-012](#) [LU7-E-B](#) [4380H1](#) [TLHY44K1L2](#)  
[484-10SYGT/S530-E2](#) [L53SRC/E-Z](#) [L-7679C1ZGC](#) [4302T1-5V](#) [4306D23](#) [4363D1/5](#) [WP1503SRC/J4](#) [WP153GDT](#) [WP153YDT](#)  
[WP1543SGC](#) [WP1543SURC](#) [WP7113HD](#) [WP7113MBD](#) [WP7113MGC](#) [WP7143SEC/H](#) [Z-221A](#) [ZD0172](#) [EALP05RDEWA2](#) [SLR-332MCT32](#)