

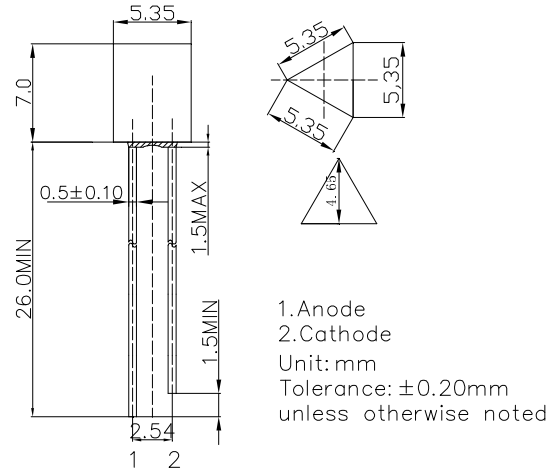
■ **Features**

- High Luminous LEDs
- 5.35x5.35x7mm Triangular Standard Directivity
- UV Resistant Epoxy
- Color Diffused Type
- White Diffused Type only for White LED

■ **Applications**

- Electronic Signs and Signals
- Indications
- Back Lighting
- General Use

■ **Outline Dimension**

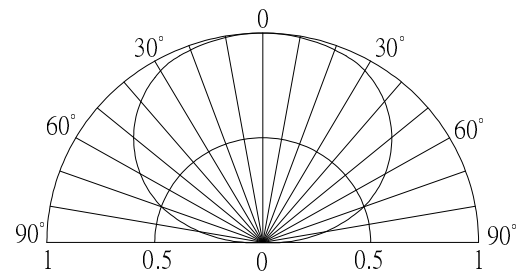


■ **Absolute Maximum Rating**

(Ta=25°C)

Item	Symbol	Value		Unit
		W/M/B/PG	YG/Y/O/R	
DC Forward Current	I _F	30	30	mA
Pulse Forward Current#	I _{FP}	100	100	mA
Reverse Voltage	V _R	5	5	V
Power Dissipation	P _D	102	78	mW
Operating Temperature	T _{opr}	-30 ~ +85		°C
Storage Temperature	T _{stg}	-40 ~ +100		°C
Lead Soldering Temperature	T _{sol}	260°C/5sec		-

■ **Directivity**



#Pulse width Max 0.1ms, Duty ratio max 1/10

■ **Electrical -Optical Characteristics**

(Ta=25°C)

Part Number	Color		V _F (V)*			I _R (μA)	I _v (mcd)*			λD(nm)*			2θ1/2(deg)
			Min.	Typ.	Max.	Max.	Min.	Typ.	Max.	Min.	Typ.	Max.	Typ.
			I _F =20mA			V _R =5V	I _F =20mA						
OSW5DK7ZE2B	White	W	-	2.9	3.4	10	750	1120	-	CCT:8000-18000K			140
OSM5DK7ZE2B	Warm White	M	-	2.9	3.4	10	750	1120	-	CCT:2700-3300K			140
OSB5SA7ZE4B	Blue	B	-	2.9	3.4	10	150	220	-	465	460	475	140
OSG5DA7ZE4B	Pure Green	PG	-	2.9	3.4	10	750	1120	-	520	525	530	140
OSG8HA7ZE4B	Yellow Green	YG	-	2.1	2.6	10	45	68	-	565	570	575	140
OSY5JA7ZE4B	Yellow	Y	-	2.1	2.6	10	100	150	-	585	590	595	140
OSO5JA7ZE4B	Orange	O	-	2.1	2.6	10	100	150	-	600	605	610	140
OSR5JA7ZE4B	Red	R	-	2.1	2.6	10	100	150	-	620	625	630	140

*1 Tolerance of measurements of dominant wavelength is ±1nm

*2 Tolerance of measurements of chromaticity coordinate is ±10%

*3 Tolerance of measurements of luminous intensity is ±15%

*4 Tolerance of measurements of forward voltage is ±0.1V

X-ON Electronics

Largest Supplier of Electrical and Electronic Components

Click to view similar products for [Standard LEDs - Through Hole category:](#)

Click to view products by [Optosupply manufacturer:](#)

Other Similar products are found below :

[LTL-10234W](#) [LTL-10254W](#) [LTL-1214A](#) [LTL-2231AT](#) [LTL2H3HRKL13](#) [LTL-3251A](#) [LTL-4262N](#) [LTL-5234](#) [LTL87HTBK](#) [LTW-87HD4B](#) [7383/V7C3-BSTA-L/PR3/MS](#) [1L0532V23G0TD001](#) [LNX998CKBDA](#) [LO566UHR3-70G-A3](#) [LP379PPG1C0G0300001](#) [SLR-322MCT32](#) [SLR-342VCTB7](#) [SLR343BCTT32](#) [SLX-LX3044GD](#) [SLX-LX3044ID](#) [SLX-LX3044YD](#) [SSS-LX4673ID-410B](#)
[1L0532Y24I0TD001](#) [264-7SYGD/S530-E2](#) [HLMP1385](#) [LTL-10224W](#) [LTL-1224A](#) [LTL-1BEHJ-012](#) [LU7-E-B](#) [4380H1](#) [TLHY44K1L2](#)
[484-10SYGT/S530-E2](#) [L53SRC/E-Z](#) [L-7679C1ZGC](#) [4302T1-5V](#) [4306D23](#) [4363D1/5](#) [WP1503SRC/J4](#) [WP153GDT](#) [WP153YDT](#)
[WP1543SGC](#) [WP1543SURC](#) [WP7113HD](#) [WP7113MBD](#) [WP7143SEC/H](#) [Z-221A](#) [ZD0172](#) [EALP05RDEWA2](#) [SLR-332MCT32](#) [SLR-342DU3F](#)