

CURRENT REGULATIVE LED

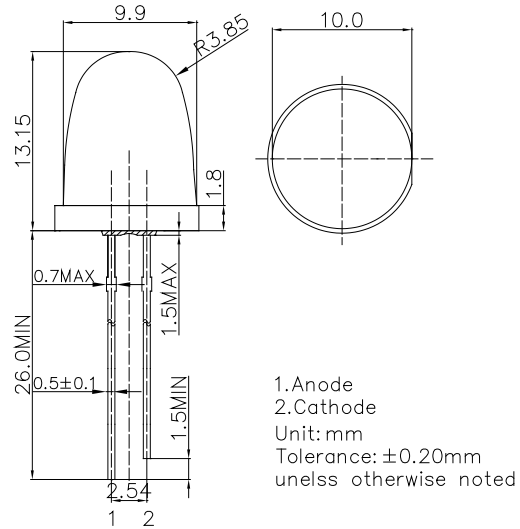
CRLED

- CRLED is LED which supplies constant current to keep LED Intensity Consistency even when power supply voltage fluctuations or load impedance fluctuations occur.
- CRLED is used with current stabilization and current limiting

■Features

- High Luminous LED
- 10mm Bullet Standard Directivity
- UV Resistant Epoxy
- Water Clear Type

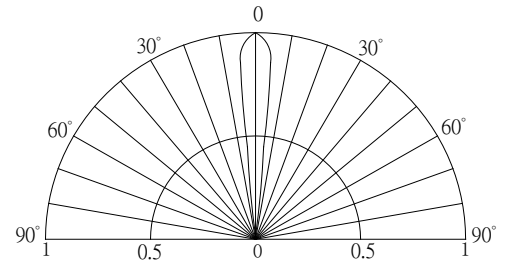
■Outline Dimension



■Absolute Maximum Rating (Ta=25°C)

Item	Symbol	Value	Unit
DC Forward Voltage	V _F	20	V
Power Dissipation	P _D	320	mW
Operating Temperature	T _{opr}	-30 ~ +85	°C
Storage Temperature	T _{stg}	-40 ~ +100	°C
Lead Soldering Temperature	T _{sol}	260°C/5sec	-

■Directivity



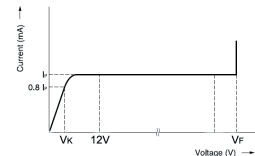
■Electrical -Optical Characteristics (Ta=25°C)

Part Number	Color	V _F (V)*		I _F (mA)			I _R (μA)	I _v (mcd)*			λD(nm)*			2θ1/2(deg)
		Min.	Max.	Min.	Typ.	Max.	Max.	Min.	Typ.	Max.	Min.	Typ.	Max.	Typ.
OSW5DKA201A-CRLED14	White	5.5	20		14	-	10	-	60000	-	X=0.27, Y=0.28(CCT:8500-18000)			8
OSM5DKA201A-CRLED14	Warm White	5.5	20		14	-	10	-	60000	-	X=0.44, Y=0.41(CCT:2700-3300)			8
OSB5SAA201A-CRLED14	Blue	5.5	20		14	-	10	-	10000	-	465	470	475	8
OSG5DAA201A-CRLED14	Pure Green	5.5	20		14	-	10	-	60000	-	520	525	530	8
OSY5PAA201A-CRLED14	Yellow	5	20		14	-	10	-	14400	-	585	590	595	8
OSO5PAA201A-CRLED14	Orange	5	20		14	-	10	-	14400	-	600	605	610	8
OSR5PAA201A-CRLED14	Red	5	20		14	-	10	-	14400	-	620	625	630	8

*1 Tolerance of measurements of chromaticity coordinate is ±10%
 *2 Tolerance of measurements of dominant wavelength is ±1nm
 *3 Tolerance of measurements of luminous intensity is ±15%
 *4 Tolerance of measurements of forward voltage is±0.1V

■Applications

- Electronic Signs And Signals/ Small Area Illuminations
- Back Lighting/ Toys/ Other Lighting

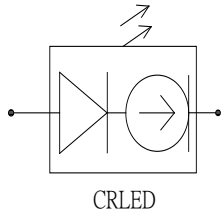


Explanation of terms
 I_r Pinch-off current at 12v
 V_k Voltage which produces 0.8Ip or greater current
 V_r Breakdown voltage

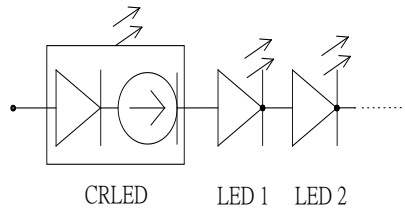
Current Regulative LED
10mm Bullet LED
OSXXXXA201A-CRLED14

■ **Typical Applications**

1 : Single LED



2 : Multi- LEDs in series



X-ON Electronics

Largest Supplier of Electrical and Electronic Components

Click to view similar products for [Optosupply](#) manufacturer:

Other Similar products are found below :

[OSB5SA5111A-CRLED16](#) [OSB5SA83C1A](#) [OSX10201-YGR1](#) [OS5YKP5111A](#) [OS5YPM8131A](#) [OS5YAA5HA4D-1-ST](#) [OS6OGA5B61P](#)
[OSW5DK5A31A-CRLED18](#) [OSY5PA5A31A-1MA](#) [OSO5JA3FE1B-12V](#) [OKLEDT30606A](#) [OSPT9054X3A](#) [OKLEDT5050RPW](#)
[OSL10564-IB](#) [OSO5PA58A1B-12V](#) [OKLEDT8050G5W](#) [OKLEDT8050RPW](#) [OSGGD251A5A](#) [OKLEDT3050RBW](#) [OSYYP251A5A](#)
[OKLEDT5050B5W](#) [OSB5DA3HA1F](#) [OSYBP2A131A](#) [OKLEDT3050RBV](#) [OKLEDT3050WAW](#) [OSL12306-16-IRA](#) [OSY5MP5A34A-](#)
[6.8HZ](#) [OKLEDT5050RBV](#) [OKLEDT8050RBV](#) [OKLEDT3050RPW](#) [OKLEDT5050WAV](#) [OSWRP23962B](#) [OKLEDT5050TAW](#)
[OKLEDT8050G5V](#) [OKLEDT8050WAW](#) [OSY5MSA131A](#) [OSXD2201-AGA](#) [OKLEDT3050RPV](#) [OKLEDT5050RBW](#) [OSL10601-IRA](#)
[OKLEDT8050RPV](#) [OKLEDT8050TAW](#) [OSL10326-LY](#) [OKLEDT5050WAW](#) [OSCM4TS4C1A](#) [OSM5XAHEE1E](#) [OS6OGA3131P](#)
[OSL10564-IYG](#) [OSO5PA56A1A-CRLED14](#) [OSRGH23NE2A](#)