

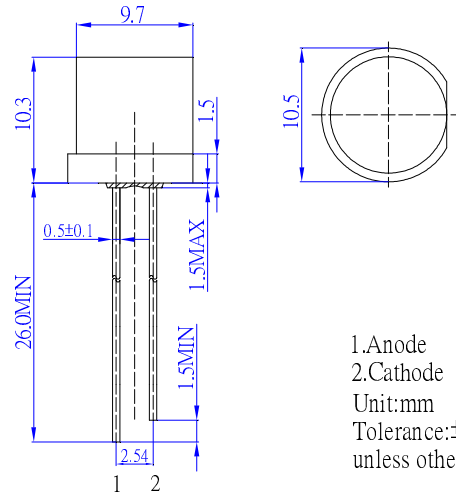
**■ Features**

- High Luminous LEDs
- 9.7mm Flat Standard Directivity
- UV Resistant Epoxy
- Color Diffused & White Diffused

**■ Applications**

- Electronic Signs And Signals
- Small Area Illuminations
- Back Lighting
- Other Lighting

**■ Outline Dimension**

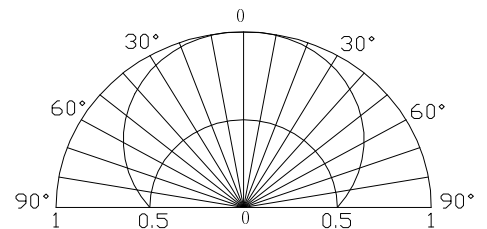


**■ Absolute Maximum Rating**

(Ta=25°C)

Item	Symbol	Value		Unit
		W/M/K/B/PG	Y/O/R	
DC Forward Current	I <sub>F</sub>	30	30	mA
Pulse Forward Current#	I <sub>FP</sub>	100	100	mA
Reverse Voltage	V <sub>R</sub>	5	5	V
Power Dissipation	P <sub>D</sub>	102	78	mW
Operating Temperature	T <sub>opr</sub>	-30 ~ +85		°C
Storage Temperature	T <sub>stg</sub>	-40~ +100		°C
Lead Soldering Temperature	T <sub>sol</sub>	260°C/5sec		-

**■ Directivity**



#Pulse width Max.10ms Duty ratio max 1/10

**■ Electrical -Optical Characteristics**

(Ta=25°C)

Part Number	Color		V <sub>F</sub> (V)			I <sub>R</sub> (μA)	I <sub>v</sub> (mcd)			λD(nm)			θ1/2(deg)
			Min.	Typ.	Max.	Max.	Min.	Typ.	Max.	Min.	Typ.	Max.	Typ.
			I <sub>F</sub> =20mA			V <sub>R</sub> =5V	I <sub>F</sub> =20mA						
OSW5DKA6K2A	White	W	2.7	2.9	3.4	10	750	1120	-	Typ. X:0.27,Y:0.28			180
OSM5DKA6K2A	Warm White	M	2.7	2.9	3.4	10	750	1120	-	Typ. X:0.45,Y:0.41			180
OSB5SAA6K4A	Blue	B	2.7	3.0	3.4	10	330	500	-	465	465	475	180
OSG5DAA6K4A	Pure Green	PG	2.7	3.0	3.4	10	750	1120	-	520	525	530	180
OSY5PAA6K4A	Yellow	Y	1.8	2.1	2.6	10	500	750	-	585	590	595	180
OSO5PAA6K4A	Orange	O	1.8	2.1	2.6	10	500	750	-	600	605	610	180
OSR5PAA6K4A	Red	R	1.8	2.1	2.6	10	500	750	-	620	625	630	180

\*1 Tolerance of measurements of chromaticity coordinate is ±10%

\*2 Tolerance of measurements of dominant wavelength is ±1nm

\*3 Tolerance of measurements of luminous intensity is ±15%

\*4 Tolerance of measurements of forward voltage is±0.1V

## X-ON Electronics

Largest Supplier of Electrical and Electronic Components

*Click to view similar products for [Standard LEDs - Through Hole category:](#)*

*Click to view products by [Optosupply manufacturer:](#)*

Other Similar products are found below :

[LTL-10234W](#) [LTL-10254W](#) [LTL-1214A](#) [LTL-2231AT](#) [LTL2H3HRKL13](#) [LTL-3251A](#) [LTL-4262N](#) [LTL-5234](#) [LTL87HTBK](#) [LTW-87HD4B](#) [LNX998CKBDA](#) [LP379PPG1C0G0300001](#) [SLR-342DUT32](#) [SLR-342VCTB7](#) [SLR343BCTT32](#) [SLX-LX3044GD](#) [SLX-LX3044ID](#) [SLX-LX3044YD](#) [SSS-LX4673ID-410B](#) [1L0532Y24I0TD001](#) [264-7SYGD/S530-E2](#) [HLMP1385](#) [LTL-10224W](#) [LTL-1224A](#) [LTL-1BEHJ-012](#) [LTL-307YE-012](#) [LTL-4231N-0L1](#) [LU7-E-B](#) [4380H1](#) [TLHY44K1L2](#) [339-9SUGSURSUBC/S1182](#) [L53SRC/E-Z](#) [L-7679C1ZGC](#) [4302T1-5V](#) [4306D23](#) [4363D1/5](#) [WP1503SRC/J4](#) [WP153GDT](#) [WP153YDT](#) [WP1543SGC](#) [WP1543SURC](#) [WP7113MBD](#) [WP7113MGC](#) [WP7143SEC/H](#) [Z-221A](#) [ZD0172](#) [SLR-332MCT32](#) [SLR-342DU3F](#) [SLR-56MCT32](#) [NSPL500S-F1F2/RS](#)