

■Features

- RoHS and REACH-compliant
- MSL 6 qualified according to J-STD 020
- Water Clear Type(M/W: Yellow Diffused)

■Applications

- Read lights (car, bus, aircraft)
- Portable (flashlight, bicycle)
- Bollards / Security / Garden Traffic signaling / Beacons
- In door / Out door Commercial lights
- Automotive Ext

■Absolute Maximum Rating

(Ta=25°C)

Item	Symbol	Value		Unit
		M/W/B/PG	R	
DC Forward Current	I _F	700	700	mA
Pulse Forward Current#	I _{FP}	1000	1000	mA
Reverse Voltage	V _R	5	5	V
Power Dissipation	P _D	2800	2100	mW
Operating Temperature	Topr	-30 ~ +80		°C
Storage Temperature	Tstg	-40~ +80		°C
Lead Soldering Temperature	Tsol	240°C /5sec		-

#Pulse width Max.10ms Duty ratio max 1/10

■Electrical -Optical Characteristics

(Ta=25°C)

Part Number	Color		V _F (V)			I _R (μA)	Φ _v (LM)			CCT(K)			2θ1/2(deg)
			Min.	Typ.	Max.		Max.	Min.	Typ.	Max.	Min.	Typ.	
			I _F =700mA			V _R =5V		I _F =700mA					
OSM53535C1H-700MA	Warm White	M	-	3.3	4.0	10	180	200	-	2700-3000-3300K			120
OSW43535C1H-700MA	White	W	-	3.3	4.0	10	180	200	-	5500-6000-6500K			120
OSB43535C1H-700MA	Blue	B	-	3.3	4.0	10	30	40	-	455	460	465	120
OSG53535C1H-700MA	Pure Green	PG	-	3.3	4.0	10	160	180	-	515	525	530	120
OSR53535C1H-700MA	Red	B	-	2.3	3.0	10	60	80	-	620	625	630	120

*1 Tolerance of measurements of forward voltage is ±0.1V

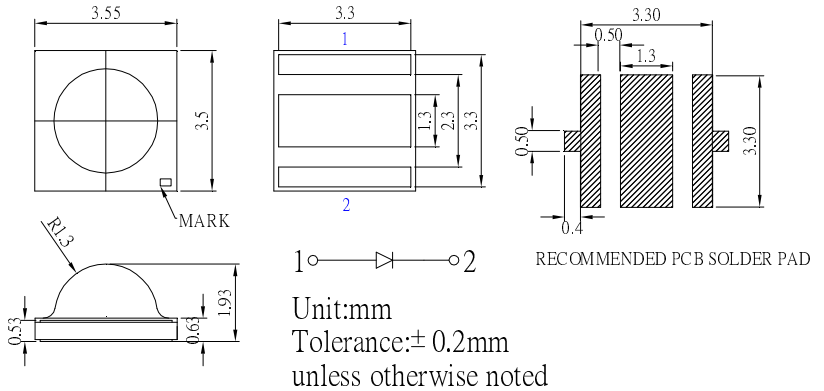
*2 Tolerance of measurements of Luminous Flux is ±15%

*3 Tolerance of measurements of dominant wavelength is ±1nm

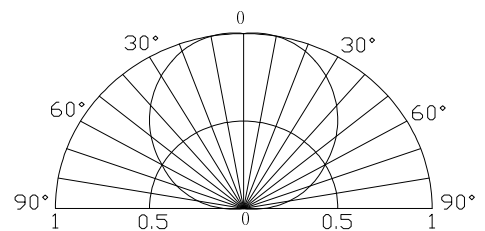
*4 Tolerance of measurements of Color temperature is ±10%

Note: Don't drive at rated current more than 5s without heat sink for Xeon 3 emitter series.

■Outline Dimension



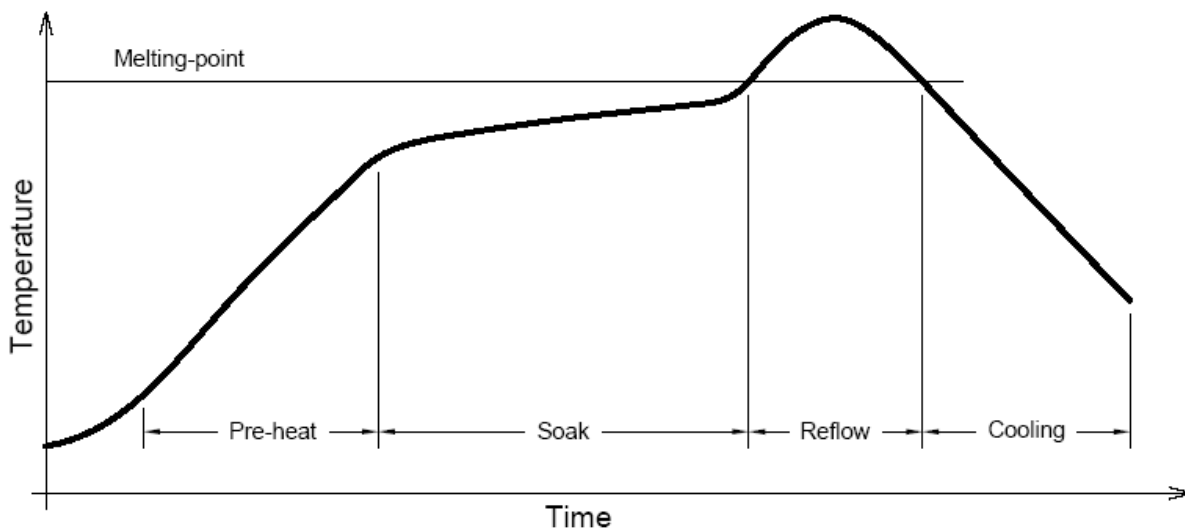
■Directivity



■ **Soldering Heat Reliability:**

- Reflow soldering Profile
- Reflow soldering should not be done more than two times.
- When soldering, do not put stress on the LEDs during heating.
- After soldering, do not warp the circuit board.
- Repairing should not be done after the LEDs have been soldered. When repairing is unavoidable, a double-head soldering iron should be used. It should be confirmed beforehand whether the characteristics of the LEDs will or will not be damaged by repairing.

Solder
Average ramp-up rate = 3°C/sec. max.
Preheat temperature: 150°~180°C
Preheat time = 120 sec. max.
Ramp-down rate = 6°C/sec. max.
Peak temperature = 220°C max.
Time within 3°C of actual peak temperature = 25 sec. max.
Duration above 200°C is 40 sec. max.



X-ON Electronics

Largest Supplier of Electrical and Electronic Components

Click to view similar products for [High Power LEDs - Single Colour category:](#)

Click to view products by [Optosupply manufacturer:](#)

Other Similar products are found below :

[AA2810ASYSK](#) [L1CU-VLT1000000000](#) [GB CS8PM1.13-HYHZ-35-0-350-R18](#) [LR B6SP-T1U2-1-A3D3+DAEA-46-G3R3](#) [GH](#)
[CSSRM4.24-V7V9-1-1-700-R33](#) [PBLA-15LTE](#) [020010030060020](#) [AA2810AVBS/D](#) [KT CSLNM1.13-MXMZ-34-0](#) [ELUC3535NUB-](#)
[P7085Q05075020-S21Q](#) [KB CSLNM1.14-5A8A-23](#) [GY CSHPM1.23-KPKR-36-0-350-R18](#) [LZ4-V4UVH0-0000](#) [KB CULPM1.14-BPBQ-W2](#)
[KB CULPM1.14-AUBQ-W3](#) [XEGAHR-H2-0000-000-000000H8001](#) [OSR53535C1H-700MA](#) [OSR7XNE1E1E](#) [PM6B-3LFE-B](#) [PM6B-3LFS-](#)
[B](#) [XPEBRY-L1-0000-00S02](#) [XQEAPA-00-0000-000000701](#) [XQEBLU-00-0000-000000Z02](#) [SPHWH2L3D30ED4V0H3](#) [XQEBLU-00-0000-](#)
[000000202](#) [L1SP-DRD0002000000](#) [L1SP-LME0002000000](#) [LHUV-0405-A065](#) [LTPL-C034UVH410](#) [XPGDRY-L1-0000-00601-SB01](#)
[XQEGRN-H0-0000-000000901](#) [XPEEPR-L1-0000-00B01](#) [XPGDRY-L1-0000-00501](#) [XPGDRY-L1-0000-00401](#) [XQEEPR-00-0000-](#)
[000000901](#) [XQEEPR-00-0000-000000A01](#) [15335340AA350](#) [XPCRDO-L1-R250-00701](#) [XPEBGR-L1-0000-00D03](#) [XPEGRN-L1-0000-](#)
[00F02](#) [LR H9PP-HZJZ-1-1](#) [15335339AA350](#) [XQERDO-02-0000-000000701](#) [XPEBGR-L1-0000-00E02](#) [15335338AA350](#) [XPEROY-L1-](#)
[R250-00903](#) [XPEBRY-L1-R250-00R01](#) [XPEEPR-L1-0000-00C01](#) [MLESBL-A1-0000-000U01](#) [XPEBPA-L1-R250-00B01](#)