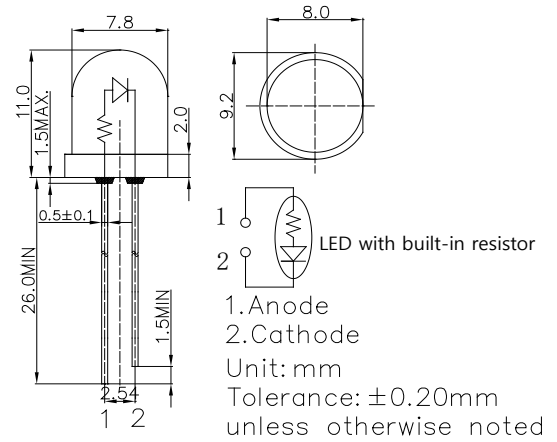


**■Description**

This LED builds with internal resistor to operate with wide operation voltage of DC3-15V.

**■Outline Dimension**



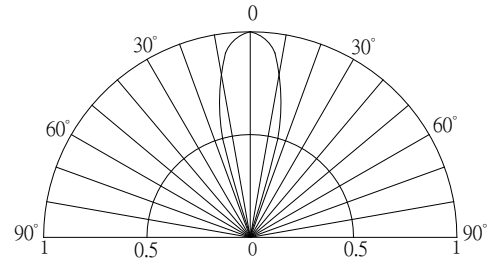
**■Features**

- Wide Input Voltage
- Cost Saving and Space Saving
- Water Clear Type
- Single Color

**■Applications**

- Toys/Game/Audio
- TTL/Cmos Compatible
- Arduino/Pi Pico/Steam Kit
- Other Electronics Products

**■Directivity**

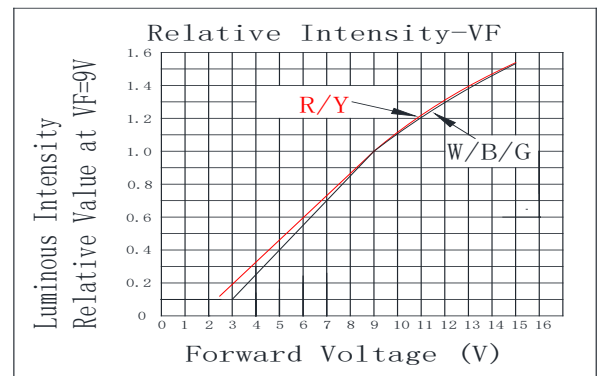


**■Absolute Maximum Rating**

(Ta=25°C)

Item	Symbol	Value	Unit
DC Forward Voltage	V <sub>F</sub>	15	V
Reverse Voltage	V <sub>R</sub>	12	V
Power Dissipation	P <sub>D</sub>	190	mW
Operating Temperature	Topr	-30 ~ +85	°C
Storage Temperature	Tstg	-40 ~ +100	°C
Lead Soldering Temperature	Tsol	260°C/5sec	-

**■Optical Characteristic Curves**



**■Electrical -Optical Characteristics**

(Ta=25°C)

8mm Multi-Voltage LED						
<b>LED P/N</b>	OSR58131A-VV	OSY58131A-VV	OSB58131A-VV	OSG58131A-VV	OSM58131A-VV	OSW58131A-VV
<b>Light Color</b>	Red	Yellow	Blue	Pure Green	Warm White	Cool White
<b>Lens Color</b>	Water Clear	Water Clear	Water Clear	Water Clear	Water Clear	Water Clear
<b>Wavelength*/1/Color Temperature*2</b>	620-630nm	585-595nm	465-475m	520-530nm	2700-3300K	8500-18000K
<b>Luminous Intensity(typ.)*3</b>	4200mcd	4200mcd	2500mcd	7000mcd	7000mcd	7000mcd
<b>Forward Voltage(typ.)</b>	9V	9V	9V	9V	9V	9V
<b>Forward Current(typ.)</b>	8mA	8mA	7.5mA	7.5mA	7.5mA	7.5mA
<b>Viewing Angle(typ.)</b>	30°	30°	30°	30°	30°	30°

\*1 Tolerance of measurements of dominant wavelength is ±1nm  
\*2 Tolerance of measurements of color temperature is ±10%  
\*3 Tolerance of measurements of luminous intensity is ±15%

## X-ON Electronics

Largest Supplier of Electrical and Electronic Components

*Click to view similar products for [Optosupply](#) manufacturer:*

Other Similar products are found below :

[OSB5SA5111A-CRLED16](#) [OSB5SA83C1A](#) [OSX10201-YGR1](#) [OS5YKP5111A](#) [OS5YPM8131A](#) [OS5YAA5HA4D-1-ST](#) [OS6OGA5B61P](#)  
[OSW5DK5A31A-CRLED18](#) [OSY5PA5A31A-1MA](#) [OSO5JA3FE1B-12V](#) [OKLEDT30606A](#) [OSPT9054X3A](#) [OKLEDT5050RPW](#)  
[OSL10564-IB](#) [OSO5PA58A1B-12V](#) [OKLEDT8050G5W](#) [OKLEDT8050RPW](#) [OSGGD251A5A](#) [OKLEDT3050RBW](#) [OSYYP251A5A](#)  
[OKLEDT5050B5W](#) [OSB5DA3HA1F](#) [OSYBP2A131A](#) [OKLEDT3050RBV](#) [OKLEDT3050WAW](#) [OSL12306-16-IRA](#) [OSY5MP5A34A-](#)  
[6.8HZ](#) [OKLEDT5050RBV](#) [OKLEDT8050RBV](#) [OKLEDT3050RPW](#) [OKLEDT5050WAV](#) [OSWRP23962B](#) [OKLEDT5050TAW](#)  
[OKLEDT8050G5V](#) [OKLEDT8050WAW](#) [OSY5MSA131A](#) [OSXD2201-AGA](#) [OKLEDT3050RPV](#) [OKLEDT5050RBW](#) [OSL10601-IRA](#)  
[OKLEDT8050RPV](#) [OKLEDT8050TAW](#) [OSL10326-LY](#) [OKLEDT5050WAW](#) [OSCM4TS4C1A](#) [OSM5XAHEE1E](#) [OS6OGA3131P](#)  
[OSL10564-IYG](#) [OSO5PA56A1A-CRLED14](#) [OSRGH23NE2A](#)