

### ■Features

- Miniature size
- Built-in exclusive IC
- Wide half angle & long reception distance
- Good noise-proof capability
- High immunity against ambient light
- Top view

### ■Applications

- AV instruments (Audio, TV, VCR, CD player)
- Home appliances (Air-conditioner, Fan, Light.)
- Remote control for wireless devices

### ■Absolute Maximum Rating

(Ta=25°C)

Parameter	Symbol	Ratings	Unit
Supply Voltage	V <sub>cc</sub>	6.0	V
Operating Temperature	T <sub>opr</sub>	-10 ~ +60	°C
Storage Temperature	T <sub>stg</sub>	-20 ~ +75	°C
Lead Soldering Temperature *1	T <sub>sol</sub>	260°C	-

\*1 At the position of 2mm from the bottom of the package within 5 seconds

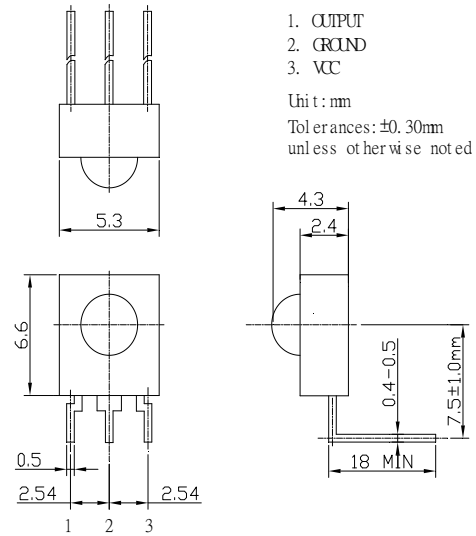
### ■Electrical -Optical Characteristics

(Ta=25°C)

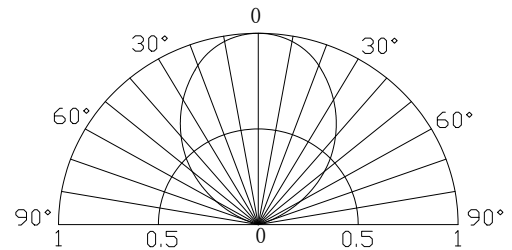
Item	Symbol	Condition	Min.	Typ.	Max.	Unit
Supply Voltage	V <sub>cc</sub>		2.7	3.0	5.5	V
Current Consumption	I <sub>cc</sub>	Input signal=0	-	0.9	1.5	mA
Reception Distance	d	200±5Lux, V <sub>cc</sub> =3V	15	20	-	m
B.P.F. Center Frequency	F <sub>o</sub>		-	37.9	-	KHZ
Peak Wavelength	λ <sub>p</sub>		-	940	-	nm
Signal Output	S <sub>o</sub>		--Active Low--			
High level output voltage	V <sub>oh</sub>	V <sub>cc</sub> =3V	2.7	3.0		V
		V <sub>cc</sub> =5V	4.7	5.0		V
Low level output voltage	V <sub>ol</sub>	V <sub>in</sub> =0V I <sub>sink</sub> =2.0mA	-	0.2	0.4	V
Burst width tolerance *2	B <sub>w</sub>	Burst Wave=600 μs	400	600	800	μs
Half Angle	Δθ			90		deg

\*2 The output tolerance of burst width received when transmitter sends the burst wave.

### ■Outline Dimension

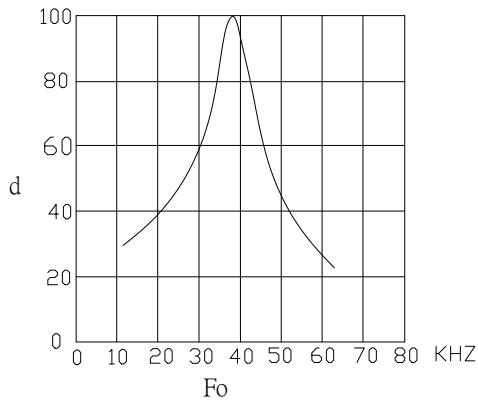


### ■Directivity



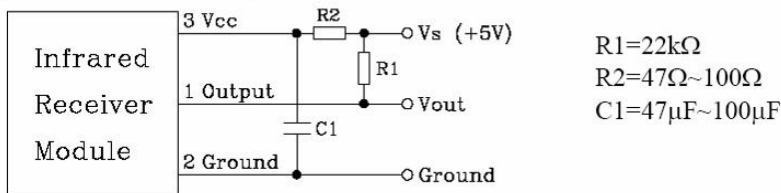
■ Carrier Frequency

Relative Reception Distance vs Transmitter carrier Frequency

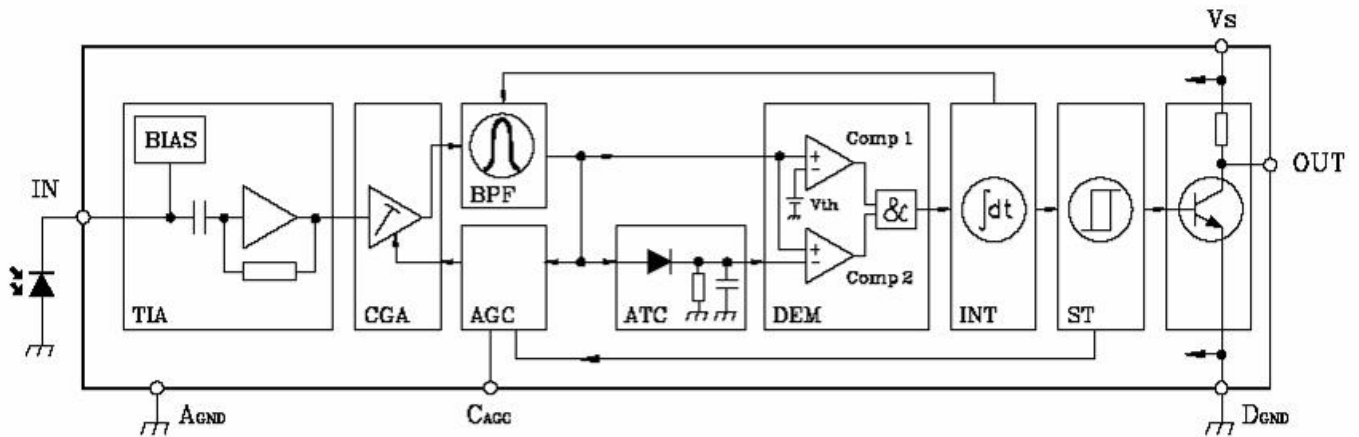


■ For Noisy Power Supply

In case of noisy power supply, please serially insert 100Ω resistor and about 47 μ F electrolytic capacitor in Vcc line and ground as follows:



■ Block Diagram



- |     |                           |     |                             |
|-----|---------------------------|-----|-----------------------------|
| TIA | Transimpedance amplifier  | ATC | Automatic threshold control |
| CGA | Controlled gain amplifier | DEM | Demodulator                 |
| BPF | Bandpass filter           | INT | Integrator                  |
| AGC | Automatic gain control    | ST  | Schmitt trigger             |

## ■ Testing Method

Distance between emitter and detector specifies maximum distance that output waveform satisfies the standard (FIG-3) under the standard transmitter.

### a. Measuring place

Indoor Without extreme reflection of light.

### b. Ambient light source

Detecting surface illumination is  $200 \pm 5$  Lux under ordinary white fluorescence lamp of no high frequency lightning.

### c. Standard transmitter

Transmitter wave indicated in FIG-2 of standard transmitter is arranged to satisfy  $V_o \geq 50$  mVp-p under the measuring circuit specified in FIG-3

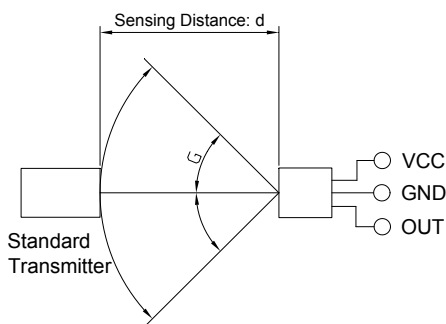


FIG-1

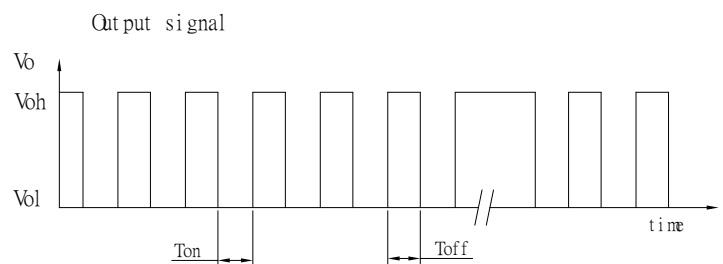
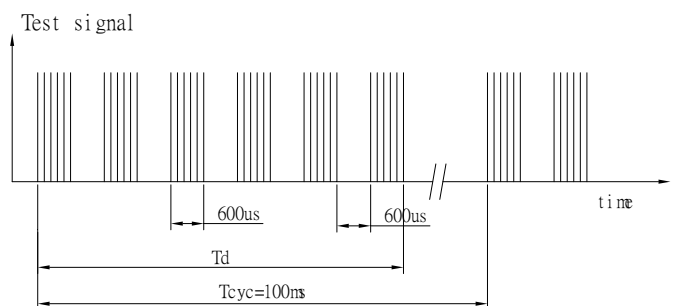


FIG 2

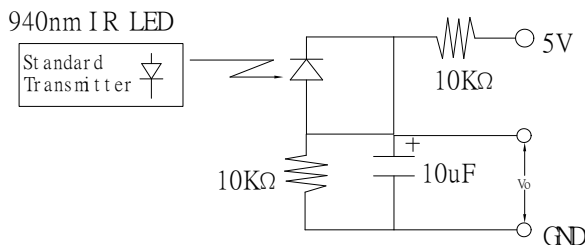


FIG 3 Power Output Measurement Circuit

## ■ Precautions for Use

- Store and use where there is no force causing transformation or change in quality.
- Store and use where there is no corrosive gas or sea(salt) breeze.
- Store and use where there is no extreme humidity.
- Solder the lead pin within the condition of ratings. After soldering, do not add exterior force.
- Do not wash this device. Wipe the stains of diode side with a soft cloth. You can use the solvent, ethyl alcohol, or methyl alcohol only.
- To prevent static electricity damage to the pre-amp, make sure that the human body, the soldering iron are connected to ground before using.

## **X-ON Electronics**

Largest Supplier of Electrical and Electronic Components

*Click to view similar products for [Optosupply](#) manufacturer:*

Other Similar products are found below :

[OECCDD01-300](#) [OEHW2030GF](#) [OEHW2045GF](#) [OEHW2060GF](#) [OEHW2090GF](#) [OKLEDT3050G5V](#) [OKLEDT3050RBV](#)  
[OKLEDT3050RBW](#) [OKLEDT3050RPV](#) [OKLEDT3050RPW](#) [OKLEDT3050WAW](#) [OKLEDT30606A](#) [OKLEDT3100B5](#) [OKLEDT3100G8](#)  
[OKLEDT3100M3](#) [OKLEDT3100M4](#) [OKLEDT3100R6](#) [OKLEDT3100W6](#) [OKLEDT3100Y5](#) [OKLEDT31203A](#) [OKLEDT31206A](#)  
[OKLEDT5050B5W](#) [OKLEDT5050G5W](#) [OKLEDT5050RBV](#) [OKLEDT5050RBW](#) [OKLEDT5050RPW](#) [OKLEDT5050TAW](#)  
[OKLEDT5050WAV](#) [OKLEDT50606A](#) [OKLEDT50606B](#) [OKLEDT5100B5](#) [OKLEDT5100G8](#) [OKLEDT5100M3](#) [OKLEDT5100R6](#)  
[OKLEDT5100W6](#) [OKLEDT5100WA](#) [OKLEDT5100Y5](#) [OKLEDT51203A](#) [OKLEDT8050G5V](#) [OKLEDT8050G5W](#) [OKLEDT8050M3V](#)  
[OKLEDT8050R5V](#) [OKLEDT8050RBV](#) [OKLEDT8050RPW](#) [OKLEDT8050WAW](#) [OPDK-G5DA8B31F](#) [OPDK-W5DK8B31F](#) [OPDK-](#)  
[Y5CA8B31F](#) [OPDO-M5DK8B31F](#) [OS2MDK3131A](#)