

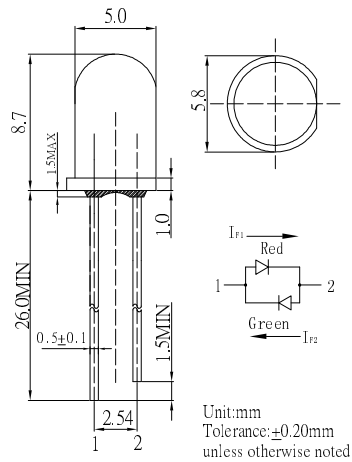
■Features

- High Luminous LEDs
- 5mm Round Standard Directivity
- Long Lifetime Operation
- Superior Weather-resistance
- UV Resistant Epoxy/ Water Clear Type
- Bi-Color LED

■Applications

- Toys
- Audio
- Games
- Other Lighting

■Outline Dimension



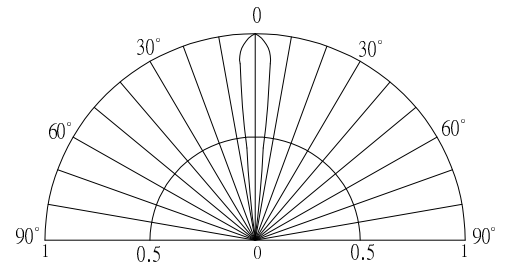
■Absolute Maximum Rating

(Ta=25°C)

| Item | Symbol | Value | | Unit |
|----------------------------|-----------------|------------|-----|------|
| | | RED | PG | |
| DC Forward Current | I _F | 50 | 30 | mA |
| Pulse Forward Current* | I _{FP} | 100 | 100 | mA |
| Reverse Voltage | V _R | 5 | 5 | V |
| Power Dissipation | P _D | 130 | 102 | mW |
| Operating Temperature | Topr | -30 ~ +85 | | °C |
| Storage Temperature | Tstg | -40~ +100 | | °C |
| Lead Soldering Temperature | Tsol | 260°C/5sec | | - |

*Pulse width Max.10ms Duty ratio max 1/10

■Directivity



■Electrical -Optical Characteristics

(Ta=25°C)

| Item | Color. | Symbol | Condition | Min. | Typ. | Max. | Unit |
|---------------------|--------|-------------------|-----------------------|-------|-------|------|------|
| DC Forward Voltage | RED | V _{F1} | I _{F1} =20mA | 1.8 | 2.1 | 2.6 | V |
| | PG | V _{F2} | I _{F2} =20mA | 2.7 | 3.0 | 3.4 | V |
| Domi. Wavelength* | RED | λ _{D1} | I _{F1} =20mA | 620 | 625 | 630 | nm |
| | PG | λ _{D2} | I _{F2} =20mA | 520 | 525 | 530 | nm |
| Luminous Intensity* | RED | I _{V1} | I _{F1} =20mA | 12000 | 14400 | - | mcd |
| | PG | I _{V2} | I _{F2} =20mA | 14400 | 18000 | - | mcd |
| 50%Power Angle | RED | 2θ _{1/2} | I _{F1} =20mA | - | 15 | - | deg |
| | PG | 2θ _{1/2} | I _{F2} =20mA | - | 15 | - | deg |

*1 Tolerance of measurements of dominant wavelength is ±1nm

*2 Tolerance of measurements of luminous intensity is ±15%

*3 Tolerance of measurements of forward voltage is ±0.1V

X-ON Electronics

Largest Supplier of Electrical and Electronic Components

Click to view similar products for [Standard LEDs - Through Hole category:](#)

Click to view products by [Optosupply manufacturer:](#)

Other Similar products are found below :

[LTL-10254W](#) [LTL-1214A](#) [LTL-1BEDJ](#) [LTL-2231AT](#) [LTL-3251A](#) [LTL-4262N](#) [LTL-5234](#) [LTL87HTBK](#) [LTD-87HD4B](#) [7383/V7C3-BSTA-L/PR3/MS](#) [G22041431007J2C000](#) [HLMP-AG64-X10ZZ](#) [HLMP-EG1A-Z10DV](#) [HLMP-EL3B-WXKDD](#) [HLMP-HB74-UVBDD](#) [HLMP-HG65-VY0DD](#) [HLMP-HM74-34CDD](#) [HLMP-HM75-34CDD](#) [1L0532V23G0TD001](#) [NSPW500CS](#) [C4SMA-BGF-CQ34Q3C2](#) [L53GC13](#) [264-7SURTS530-A3](#) [L-C150JRCT](#) [S4SMS-BJF-CQ42QGF2](#) [S4SMS-GJF-CW12QMF2](#) [LD CQDP-1U3U-W5-1-K](#) [LNX998CKBDA](#) [LO566UHR3-70G-A3](#) [SLA560WBD2PT3](#) [LP379PPG1C0G0300001](#) [SLR-322MCT32](#) [SLR-342DUT32](#) [SLR-342MC3F](#) [SLR343BC7TT32](#) [SLR343BCTT32](#) [SLX-LX3044GD](#) [SLX-LX3044ID](#) [SLX-LX3044YD](#) [SNW-LX504SRC/4](#) [1.90690.3330000](#) [SSL-LX20483ID](#) [SSL-LX3034YD](#) [SSL-LX5093LGT-11](#) [SSL-LX5093PGC](#) [SSL-LX5093SRC/F](#) [SSL-LX5093SYT](#) [SSL-LX5099SRSGC-CA](#) [SSL-LX509E3SIT](#) [SSL-LX509FT3ID](#)