

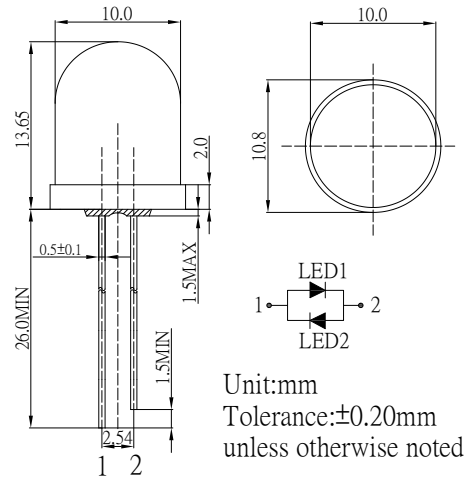
■ Features

- High Luminous LEDs
- 10mm Round Standard Directivity
- Long Lifetime Operation
- UV Resistant Epoxy
- Water Clear Type
- Bi-polar Type

■ Applications

- Electronic Signs And Signals
- Small Area Illuminations
- Back Lighting
- Other Lighting

■ Outline Dimension

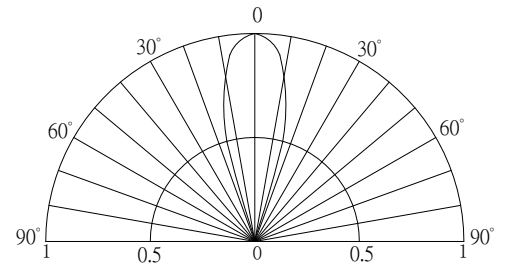


■ Absolute Maximum Rating

(Ta=25°C)

| Item | Symbol | Value | | Unit |
|----------------------------|------------------|------------|-------|------|
| | | W/M/BL/PG | O/Y/R | |
| DC Forward Current | I _F | 30 | 30 | mA |
| Pulse Forward Current# | I _{FP} | 100 | 100 | mA |
| Reverse Voltage | V _R | 5 | 5 | V |
| Power Dissipation | P _D | 108 | 78 | mW |
| Operating Temperature | T _{opr} | -30 ~ +85 | | °C |
| Storage Temperature | T _{stg} | -40 ~ +100 | | °C |
| Lead Soldering Temperature | T _{sol} | 260°C/5sec | | - |

■ Directivity



#Pulse width Max.10ms Duty ratio max 1/10

■ Electrical -Optical Characteristics

(Ta=25°C)

| Part Number | Color | | V _F (V)* | | | I _R (μA) | I _v (mcd)* | | | Wd(nm)/CCT* | | | 2θ1/2(deg) | |
|-------------|------------|----|----------------------|------|------|---------------------|-----------------------|----------------------|------|-------------|------|------|------------|------|
| | | | Min. | Typ. | Max. | | Max. | Min. | Typ. | Max. | Min. | Typ. | | Max. |
| | | | I _F =20mA | | | | V _R =5V | I _F =20mA | | | | | | |
| OSWWD2A131A | Pure White | W | - | 2.9 | 3.4 | 10 | 8400 | 10000 | - | 5500-8500K | | | 30 | |
| OSMMD2A131A | Warm White | M | - | 2.9 | 3.4 | 10 | 7000 | 8400 | - | 2700-3200K | | | 30 | |
| OSBBS2A131A | Blue | BL | - | 2.9 | 3.4 | 10 | 4200 | 5800 | - | 465 | 470 | 475 | 30 | |
| OSPPD2A131A | Pure Green | PG | - | 2.9 | 3.4 | 10 | 7000 | 8400 | - | 520 | 525 | 530 | 30 | |
| OSOOP2A131A | Orange | O | - | 2.1 | 2.6 | 10 | 5800 | 7000 | - | 6000 | 605 | 610 | 30 | |
| OSYYP2A131A | Yellow | Y | - | 2.1 | 2.6 | 10 | 5800 | 7000 | - | 585 | 590 | 595 | 30 | |
| OSRRP2A131A | Red | R | - | 2.1 | 2.6 | 10 | 5800 | 7000 | - | 620 | 625 | 630 | 30 | |

*1 Tolerance of measurements of chromaticity coordinate/CCT is ±10%

*2 Tolerance of measurements of dominant wavelength is ±1nm

*3 Tolerance of measurements of luminous intensity is ±15%

*4 Tolerance of measurements of forward voltage is ±0.1V

X-ON Electronics

Largest Supplier of Electrical and Electronic Components

Click to view similar products for [Optosupply](#) manufacturer:

Other Similar products are found below :

[OECCDD01-300](#) [OEHW2030GF](#) [OEHW2045GF](#) [OEHW2060GF](#) [OEHW2090GF](#) [OKLEDT3050G5V](#) [OKLEDT3050RBV](#)
[OKLEDT3050RBW](#) [OKLEDT3050RPV](#) [OKLEDT3050RPW](#) [OKLEDT3050WAW](#) [OKLEDT30606A](#) [OKLEDT3100B5](#) [OKLEDT3100G8](#)
[OKLEDT3100M3](#) [OKLEDT3100M4](#) [OKLEDT3100R6](#) [OKLEDT3100W6](#) [OKLEDT3100Y5](#) [OKLEDT31203A](#) [OKLEDT31206A](#)
[OKLEDT5050B5W](#) [OKLEDT5050G5W](#) [OKLEDT5050RBV](#) [OKLEDT5050RBW](#) [OKLEDT5050RPW](#) [OKLEDT5050TAW](#)
[OKLEDT5050WAV](#) [OKLEDT50606A](#) [OKLEDT50606B](#) [OKLEDT5100B5](#) [OKLEDT5100G8](#) [OKLEDT5100M3](#) [OKLEDT5100R6](#)
[OKLEDT5100W6](#) [OKLEDT5100WA](#) [OKLEDT5100Y5](#) [OKLEDT51203A](#) [OKLEDT8050G5V](#) [OKLEDT8050G5W](#) [OKLEDT8050M3V](#)
[OKLEDT8050R5V](#) [OKLEDT8050RBV](#) [OKLEDT8050RPW](#) [OKLEDT8050WAW](#) [OPDK-G5DA8B31F](#) [OPDK-W5DK8B31F](#) [OPDK-](#)
[Y5CA8B31F](#) [OPDO-M5DK8B31F](#) [OS2MDK3131A](#)