

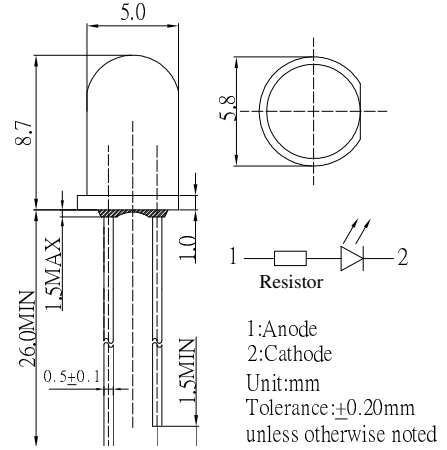
### ■ Features

- High Luminous LEDs
- 5mm Round Standard Directivity
- UV Resistant Epoxy
- Integral Current Limiting Resistor
- TTL Compatible (Requires No External Current Limiter with 5V Supply)
- Cost Effective (Saves Space and Resistor Cost)
- Water Clear Type

### ■ Applications

- Status Indicators
- Other Lighting

### ■ Outline Dimension

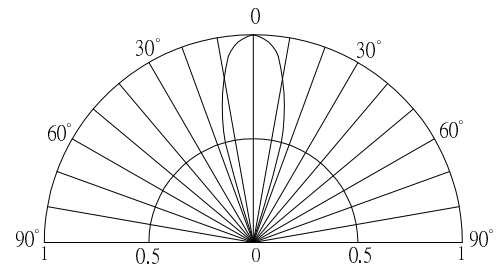


### ■ Absolute Maximum Rating

(Ta=25°C)

Item	Symbol	Value	Unit
DC Forward Voltage	V <sub>F</sub>	7.5	V
Reverse Voltage	V <sub>R</sub>	5	V
Power Dissipation	P <sub>D</sub>	150	mW
Operating Temperature	Topr	-30 ~ +85	°C
Storage Temperature	Tstg	-30 ~ +85	°C
Lead Soldering Temperature	Tsol	260°C/5sec	-

### ■ Directivity



### ■ Electrical -Optical Characteristics (Ta=25°C)

Part Number	Visual Color	I <sub>F</sub> (mA)*			I <sub>R</sub> (μA)	Radiant flux*(mW)			WP*(nm)			2θ1/2(deg)
		Min	Typ.	Max.	Max.	Min.	Typ.	Max.	Min.	Typ.	Max.	Typ.
		V <sub>F</sub> =5V			V <sub>R</sub> =5V	I <sub>F</sub> =5mA						
OSV1YL5A31A-5V	White	-	12	20	10	1	2.5	-	360	365	370	30
OSV2YL5A31A-5V	White	-	12	20	10	1.5	3.5	-	370	375	380	30
OSV3SL5A31A-5V	Purple	-	12	20	10	4	5	-	380	385	390	30
OSV4DL5A31A-5V	Purple	-	12	20	10	6	8	-	390	395	400	30
OSV5DL5A31A-5V	Purple	-	12	20	10	6	8	-	400	405	410	30

\*1 Tolerance of measurements of Peak wavelength is ±1nm

\*2 Tolerance of measurements of Radiant flux is ±15%

\*3 Tolerance of measurements of Forward voltage is ±0.1V

<b>LED &amp; Application Technologies</b>				
	<p>ATTENTION OBSERVE PRECAUTIONS ELECTROSTATIC SENSITIVE DEVICES</p>			

## X-ON Electronics

Largest Supplier of Electrical and Electronic Components

*Click to view similar products for [Standard LEDs - SMD category](#):*

*Click to view products by [Optosupply manufacturer](#):*

Other Similar products are found below :

[LTST-C190KYKT](#) [LTST-C19GD2WT](#) [LTST-N683GBEW](#) [LTW-170ZDC](#) [LTW-M140SZS40](#) [598-8110-100F](#) [598-8610-202F](#)  
[AAAF5060QBFSEEZGS](#) [APT1608QGW](#) [EAST2012YA0](#) [SML-512VWT86A](#) [SML-LX0606SISUGC/A](#) [SML-LXR851SIUPGUBC](#)  
[LT1ED53A](#) [AM27ZGC03](#) [APFA3010SURKCGKQBDC](#) [APHK1608VGCA](#) [APT2012QGW](#) [CLX6D-FKB-CN1R1H1BB7D3D3](#) [LTST-](#)  
[008BGEW](#) [LTW-010DCG](#) [LTW-020ZDCG](#) [LTW-21TS5](#) [LTW-220DS5](#) [598-8330-117F](#) [SML-LX0402IC-TR](#) [CMDA20AYAA7D1S](#)  
[CMDA16AYDR7A1X](#) [598-8040-100F](#) [598-8070-100F](#) [598-8140-100F](#) [598-8610-200F](#) [EAST2012GA0](#) [EAPL3527GA5](#) [EAST2012RA0](#)  
[CMD91-21VRC/TR7](#) [SML-512PWT86A](#) [SMF-2432GYC-TR](#) [EASV3015RGYA0](#) [LTST-C190KFKT-5A](#) [LTST-C194TBKT-5A](#) [CLX6E-](#)  
[FKC-CH1M1D1BB7C3D3](#) [SML-LXL0805USBC-TR](#) [SML-LX2835SYSUGCTR](#) [LTW-M670ZVS-M5](#) [APA2106ZGC/G](#) [CLMXB-FKA-](#)  
[CbcfghjnpACBB79463](#) [VFA1101W-5AY3B2-TR](#) [LCB P473-P2R2-3J7L-1-Z](#) [HSMR-C197](#)