

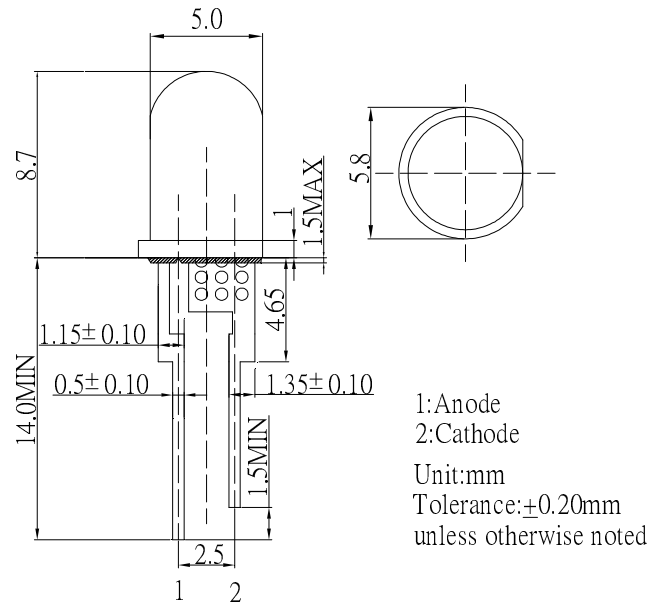
■Features

- Highest luminous flux
- Long Lifetime Operation
- Low Thermal resistance
- Water Clear Type

■Applications

- Read lights (car, bus, aircraft)
- Bollards / Security / Garden
- Small Area Illuminations
- Indoor / Outdoor Commercial lights
- Automotive Ext

■Outline Dimension



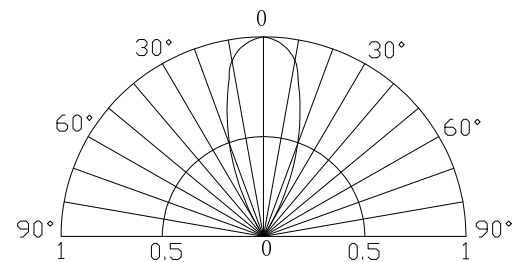
■Absolute Maximum Rating

(Ta=25°C)

| Item | Symbol | Value | Unit |
|----------------------------|-----------------|------------|------|
| | | W/M/B/PG | |
| DC Forward Current | I _F | 180 | mA |
| Pulse Forward Current# | I _{FP} | 200 | mA |
| Reverse Voltage | V _R | 5 | V |
| Power Dissipation | P _D | 684 | mW |
| Operating Temperature | Topr | -30 ~ +85 | °C |
| Storage Temperature | Tstg | -40~ +100 | °C |
| Lead Soldering Temperature | Tsol | 260°C/5sec | - |

#Pulse width Max.10ms Duty ratio max 1/10

■Directivity



■Electrical -Optical Characteristics

(Ta=25°C)

| Part Number | Color | | V _F (V) | | | I _R (μA) | Φ _v (lm) | | | I _v (mcd) | | | WD(nm)/CCT(K) | | | 2θ1/2(deg) |
|-------------------|------------|----|-----------------------|------|------|---------------------|---------------------|------|-----------------------|----------------------|-------|------|---------------|-------|-------|------------|
| | | | Min. | Typ. | Max. | Max. | Min. | Typ. | Max. | Min. | Typ. | Max. | Min. | Typ. | Max. | Typ. |
| | | | I _F =150mA | | | V _R =5V | | | I _F =150mA | | | | | | | |
| OSW4XA5141R-150MA | White | W | - | 3.3 | 3.8 | 10 | 35 | 40 | - | 50000 | 60000 | - | 5500K | 6500K | 8500K | 40 |
| OSM5XA5141R-150MA | Warm White | M | - | 3.3 | 3.8 | 10 | 33 | 38 | - | 43000 | 50000 | - | 2700K | 3000K | 3300K | 40 |
| OSB4XA5141R-150MA | Blue | B | - | 3.3 | 3.8 | 10 | 10 | 12 | - | 14400 | 18000 | - | 455 | 460 | 470 | 40 |
| OSG5XA5141R-150MA | Pure Green | PG | - | 3.3 | 3.8 | 10 | 33 | 38 | - | 43000 | 50000 | - | 517 | 525 | 530 | 40 |

*1 Tolerance of measurements of forward voltage is ±0.1V

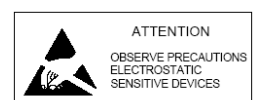
*2 Tolerance of measurements of luminous flux is ±15%

*3 Tolerance of measurements of luminous intensity is ±15%

*4 Tolerance of measurements of dominant wavelength is ±10%

*5 Tolerance of measurements of color temperature is ±10%

LED & Application Technologies



X-ON Electronics

Largest Supplier of Electrical and Electronic Components

Click to view similar products for [Standard LEDs - Through Hole category](#):

Click to view products by [Optosupply manufacturer](#):

Other Similar products are found below :

[LTL-10234W](#) [LTL-10254W](#) [LTL-1214A](#) [LTL-2231AT](#) [LTL2H3HRKL13](#) [LTL-3251A](#) [LTL-4262N](#) [LTL-5234](#) [LTL87HTBK](#) [LTW-87HD4B](#) [7383/V7C3-BSTA-L/PR3/MS](#) [1L0532V23G0TD001](#) [LNX998CKBDA](#) [LO566UHR3-70G-A3](#) [LP379PPG1C0G0300001](#) [SLR-322MCT32](#) [SLR-342VCTB7](#) [SLR343BCTT32](#) [SLX-LX3044GD](#) [SLX-LX3044ID](#) [SLX-LX3044YD](#) [SSS-LX4673ID-410B](#)
[1L0532Y24I0TD001](#) [264-7SYGD/S530-E2](#) [HLMP1385](#) [LTL-10224W](#) [LTL-1224A](#) [LTL-1BEHJ-012](#) [LU7-E-B](#) [4380H1](#) [TLHY44K1L2](#)
[484-10SYGT/S530-E2](#) [L53SRC/E-Z](#) [L-7679C1ZGC](#) [4302T1-5V](#) [4306D23](#) [4363D1/5](#) [WP1503SRC/J4](#) [WP153GDT](#) [WP153YDT](#)
[WP1543SGC](#) [WP1543SURC](#) [WP7113HD](#) [WP7113MBD](#) [WP7113MGC](#) [WP7143SEC/H](#) [Z-221A](#) [ZD0172](#) [EALP05RDEWA2](#) [SLR-332MCT32](#)