

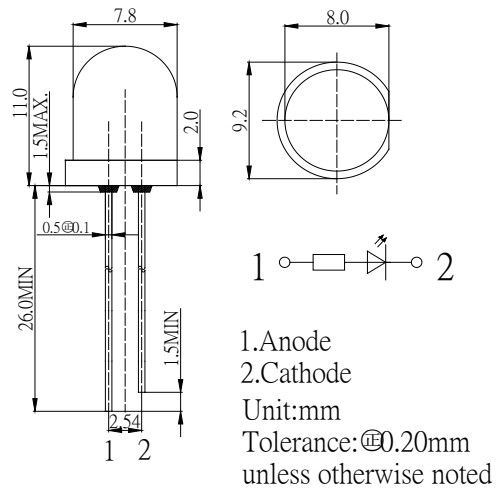
■Features

- High Luminous LEDs
- 8mm Round Standard Directivity
- UV Resistant Epoxy
- Integral Current Limiting Resistor
- TTL Compatible (Requires No External Current Limiter With 12 Volt Supply)
- Cost Effective (Saves Space and Resistor Cost)
- Color Diffused Type (W/M: White Diffused Type)

■Applications

- Status Indicators
- Other Lighting

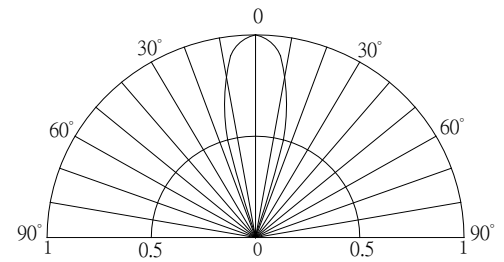
■Outline Dimension



■Absolute Maximum Rating (Ta=25°C)

Item	Symbol	Value	Unit
DC Forward Voltage	V _F	15	V
Reverse Voltage	V _R	12	V
Power Dissipation	P _D	225	mW
Operating Temperature	Topr	-30 ~ +85	°C
Storage Temperature	Tstg	-40 ~ +100	°C
Lead Soldering Temperature	Tsol	260°C/5sec	-

■Directivity



■Electrical -Optical Characteristics (Ta=25°C)

Part Number	Color		I _F (mA)*			I _v (mcd)*			λD(nm)*			2θ1/2(deg)
			Min	Typ.	Max.	Min.	Typ.	Max.	Min.	Typ.	Max.	Typ.
			V _F = 12V			V _F = 12V						
OSW5DK8132A-12V	White	W	-	10	15	1560	2180	-	X=0.27, Y=0.28			30
OSM5DK8132A-12V	Warm White	M	-	10	15	1120	1560	-	X=0.45, Y=0.41			30
OSB5SA8134A-12V	Blue	B	-	10	15	750	1120	-	465	470	475	30
OSG5DA8134A-12V	Pure Green	PG	-	10	15	1560	2180	-	520	525	530	30
OSY5PA8134A-12V	Yellow	Y	-	10	15	1120	1560	-	585	590	595	30
OSO5PA8134A-12V	Orange	O	-	10	15	1120	1560	-	600	605	610	30
OSR5PA8134A-12V	Red	R	-	10	15	1120	1560	-	620	625	630	30

*1 Tolerance of measurements of chromaticity coordinates is $\pm 10\%$
 *2 Tolerance of measurements of dominant wavelength is ± 1 nm
 *3 Tolerance of measurements of luminous intensity is $\pm 15\%$
 *4 Tolerance of measurements of forward voltage is ± 0.1 V

X-ON Electronics

Largest Supplier of Electrical and Electronic Components

Click to view similar products for [Optosupply](#) manufacturer:

Other Similar products are found below :

[OSB5SA5111A-CRLED16](#) [OSB5SA83C1A](#) [OSX10201-YGR1](#) [OS5YKP5111A](#) [OS5YPM8131A](#) [OS5YAA5HA4D-1-ST](#) [OS6OGA5B61P](#)
[OSW5DK5A31A-CRLED18](#) [OSY5PA5A31A-1MA](#) [OSO5JA3FE1B-12V](#) [OKLEDT30606A](#) [OSPT9054X3A](#) [OKLEDT5050RPW](#)
[OSL10564-IB](#) [OSO5PA58A1B-12V](#) [OKLEDT8050G5W](#) [OKLEDT8050RPW](#) [OSGGD251A5A](#) [OKLEDT3050RBW](#) [OSYYP251A5A](#)
[OKLEDT5050B5W](#) [OSB5DA3HA1F](#) [OSYBP2A131A](#) [OKLEDT3050RBV](#) [OKLEDT3050WAW](#) [OSL12306-16-IRA](#) [OSY5MP5A34A-](#)
[6.8HZ](#) [OKLEDT5050RBV](#) [OKLEDT8050RBV](#) [OKLEDT3050RPW](#) [OKLEDT5050WAV](#) [OSWRP23962B](#) [OKLEDT5050TAW](#)
[OKLEDT8050G5V](#) [OKLEDT8050WAW](#) [OSY5MSA131A](#) [OSXD2201-AGA](#) [OKLEDT3050RPV](#) [OKLEDT5050RBW](#) [OSL10601-IRA](#)
[OKLEDT8050RPV](#) [OKLEDT8050TAW](#) [OSL10326-LY](#) [OKLEDT5050WAW](#) [OSCM4TS4C1A](#) [OSM5XAHEE1E](#) [OS6OGA3131P](#)
[OSL10564-IYG](#) [OSO5PA56A1A-CRLED14](#) [OSRGH23NE2A](#)