

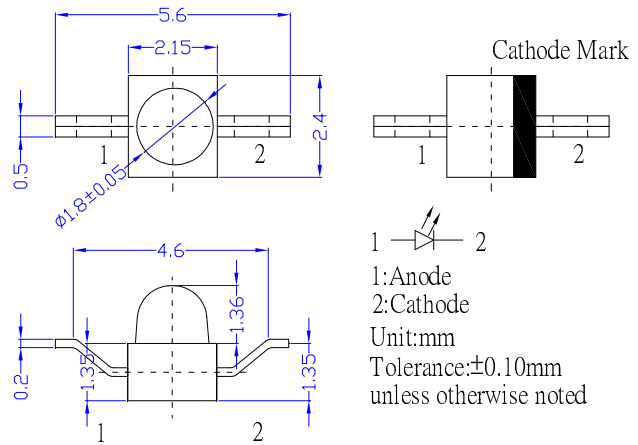
**■Features**

- Small double-end package
- 1.8mm Standard Directivity
- Good spectral matching to Si photodetector
- Water Clear Type
- MSL 3

**■Applications**

- Optoelectronic switch
- Floppy disk drive
- Infrared emitting for miniature light barrier
- Smoke detector
- Others

**■Outline Dimension**

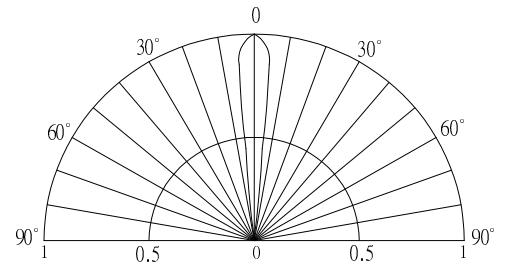


**■Absolute Maximum Rating**

(Ta=25°C)

Item	Symbol	Value		Unit
		W/B/PG	YG/Y/R/O	
DC Forward Current	I <sub>F</sub>	30	30	mA
Pulse Forward Current#	I <sub>FP</sub>	100	100	mA
Reverse Voltage	V <sub>R</sub>	5	5	V
Power Dissipation	P <sub>D</sub>	108	78	mW
Operating Temperature	Topr	-30 ~ +85		°C
Storage Temperature	Tstg	-40 ~ +100		°C
Lead Soldering Temperature	Tsol	260°C/10sec		-

**■Directivity**



#Pulse width Max.10ms Duty ratio max 1/10

**■Electrical -Optical Characteristics**

(Ta=25°C)

Part Number	Color		V <sub>F</sub> (V)*			I <sub>R</sub> (μA)	I <sub>v</sub> (mcd)*			λ <sub>D</sub> (nm)*			2θ1/2(deg)
			Min.	Typ.	Max.		Min.	Typ.	Max.	Min.	Typ.	Max.	
			I <sub>F</sub> =20mA				V <sub>R</sub> =5V	I <sub>F</sub> =20mA					
OSW5212411C-TR10	White	W	2.8	3.1	3.6	10	4200	5800	-	CCT:8500-18000K			10
OSB4212411C-TR10	Blue	B	2.8	3.1	3.6	10	3000	4200	-	455	460	465	10
OSG5212411C-TR10	Pure Green	PG	2.8	3.1	3.6	10	10000	12000	-	520	525	530	10
OSG8212411C-TR10	Yellow Green	YG	1.8	2.1	2.6	10	750	1120	-	565	570	575	10
OSY5212411C-TR10	Yellow	Y	1.8	2.1	2.6	10	3000	4200	-	585	590	595	10
OSO5212411C-TR10	Orange	O	1.8	2.1	2.6	10	3000	4200	-	600	605	610	10
OSR5212411C-TR10	Red	R	1.8	2.1	2.6	10	3000	4200	-	620	625	630	10

\*1 Tolerance of measurements of dominant wavelength is ±1nm

\*2 Tolerance of measurements of luminous intensity is ±15%

\*3 Tolerance of measurements of forward voltage is ±0.1V

## X-ON Electronics

Largest Supplier of Electrical and Electronic Components

*Click to view similar products for [Standard LEDs - SMD category](#):*

*Click to view products by [Optosupply manufacturer](#):*

Other Similar products are found below :

[LTST-C190KYKT](#) [LTST-C19GD2WT](#) [LTW-170ZDC](#) [LTW-M140SZS40](#) [LTW-M140ZVS](#) [598-8110-100F](#) [598-8610-202F](#) [91-21SUBCS400-A6TR7](#) [QBLP653-IW](#) [AAAF5060QBFSEEZGS](#) [APT1608QGW](#) [99-213/R6C-AR2T1B/2C](#) [SML-LX0606SISUGC/A](#) [SML-LXR851SIUPGUBC](#) [LT1ED53A](#) [APFA3010SURKCGKQBDC](#) [APHK1608VGCA](#) [APT2012QGW](#) [LTST-008BGEW](#) [LTW-010DCG](#) [LTW-21TS5](#) [LTW-220DS5](#) [598-8330-117F](#) [65-21SYGC/S530-E3/TR8](#) [CMDA20AYAA7D1S](#) [95-21SURCS530-A3TR10](#) [598-8070-100F](#) [598-8140-100F](#) [598-8610-200F](#) [SML-LXR851SGSIC-TR](#) [SML-512PWT86A](#) [SMF-2432GYC-TR](#) [EASV3015RGYA0](#) [95-21UYC-S530-A5-TR7](#) [LTST-C194TBKT-5A](#) [CLX6E-FKC-CH1M1D1BB7C3D3](#) [SML-LXL0805USBC-TR](#) [SML-LX2835SYSUGCTR](#) [LTW-M670ZVS-M5](#) [APA2106ZGC/G](#) [CLMXB-FKA-CbcfghjnpACBB79463](#) [KPTD-2012LVVBC-D](#) [VFA1101W-5AY3B2-TR](#) [LCB P473-P2R2-3J7L-1-Z](#) [91-21VGC/S556/S68/TR10/S370](#) [LW A67C-S2U1-FK0KM0](#) [LW A673-P1S1-FK0PM0](#) [BL-HE1G033B-TRB](#) [5988B90107F](#) [EL-19-21SURC/S530-A6](#)