

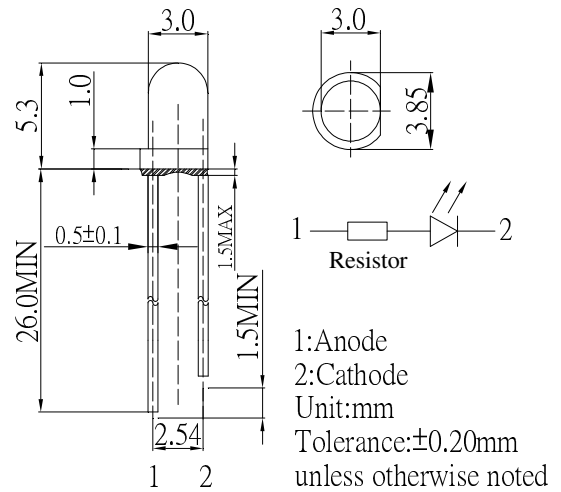
### ■ Features

- High Luminous LEDs
- 3mm Round Standard Directivity
- UV Resistant Epoxy
- Integral Current Limiting Resistor
- TTL Compatible (Requires No External Current Limiter With 5 Volt Supply)
- Cost Effective (Saves Space and Resistor Cost)
- Color Diffused Type / White Diffused Type

### ■ Applications

- Status Indicators
- Other Lighting

### ■ Outline Dimension

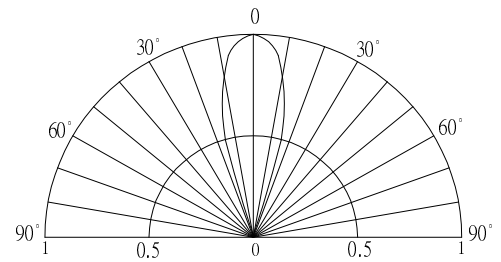


### ■ Absolute Maximum Rating

(Ta=25°C)

Item	Symbol	Value	Unit
DC Forward Voltage	V <sub>F</sub>	7.5	V
Reverse Voltage	V <sub>R</sub>	5	V
Power Dissipation	P <sub>D</sub>	150	mW
Operating Temperature	Topr	-30 ~ +85	°C
Storage Temperature	Tstg	-40 ~ +100	°C
Lead Soldering Temperature	Tsol	260°C/5sec	-

### ■ Directivity



### ■ Electrical -Optical Characteristics (Ta=25°C)

Part Number	Color		I <sub>F</sub> (mA)			I <sub>v</sub> (mcd)*			λD(nm)*			2θ1/2(deg)
			Min	Typ.	Max.	Min.	Typ.	Max.	Min.	Typ.	Max.	Typ.
			V <sub>F</sub> =5V			V <sub>F</sub> =5V						
OSW5DK3132A-5V	White	W	-	12	20	1120	1560	-	X=0.27, Y=0.28			30
OSM5DK3132A-5V	Warm White	M	-	12	20	750	1120	-	X=0.45, Y=0.41			30
OSB5SA3134A-5V	Blue	B	-	12	20	500	750	-	465	470	475	30
OSG5DA3134A-5V	Pure Green	TG	-	12	20	1120	1560	-	520	525	530	30
OSG8HA3134A-5V	Yellow Green	G	-	12	20	100	150	-	565	570	575	30
OSY5JA3134A-5V	Yellow	Y	-	12	20	220	330	-	585	590	595	30
OSO5JA3134A-5V	Orange	O	-	12	20	330	500	-	600	605	610	30
OSR5JA3134A-5V	Red	R	-	12	20	220	330	-	620	625	630	30

\*1 Tolerance of measurements of Domi. wavelength is ±1nm  
 \*2 Tolerance of measurements of chromaticity coordinates is ±10%  
 \*3 Tolerance of measurements of luminous intensity is ±15%  
 \*4 Tolerance of measurements of forward voltage is ±0.1V

## X-ON Electronics

Largest Supplier of Electrical and Electronic Components

*Click to view similar products for [Standard LEDs - Through Hole category:](#)*

*Click to view products by [Optosupply manufacturer:](#)*

Other Similar products are found below :

[LTL-10234W](#) [LTL-10254W](#) [LTL-1214A](#) [LTL-2231AT](#) [LTL2H3HRKL13](#) [LTL-3251A](#) [LTL-4262N](#) [LTL-5234](#) [LTL87HTBK](#) [LTW-87HD4B](#) [7383/V7C3-BSTA-L/PR3/MS](#) [1L0532V23G0TD001](#) [LNX998CKBDA](#) [LO566UHR3-70G-A3](#) [LP379PPG1C0G0300001](#) [SLR-322MCT32](#) [SLR-342VCTB7](#) [SLR343BCTT32](#) [SLX-LX3044GD](#) [SLX-LX3044ID](#) [SLX-LX3044YD](#) [SSS-LX4673ID-410B](#)  
[1L0532Y24I0TD001](#) [264-7SYGD/S530-E2](#) [HLMP1385](#) [LTL-10224W](#) [LTL-1224A](#) [LTL-1BEHJ-012](#) [LU7-E-B](#) [4380H1](#) [TLHY44K1L2](#)  
[484-10SYGT/S530-E2](#) [L53SRC/E-Z](#) [L-7679C1ZGC](#) [4302T1-5V](#) [4306D23](#) [4363D1/5](#) [WP1503SRC/J4](#) [WP153GDT](#) [WP153YDT](#)  
[WP1543SGC](#) [WP1543SURC](#) [WP7113HD](#) [WP7113MBD](#) [WP7143SEC/H](#) [Z-221A](#) [ZD0172](#) [EALP05RDEWA2](#) [SLR-332MCT32](#) [SLR-342DU3F](#)