

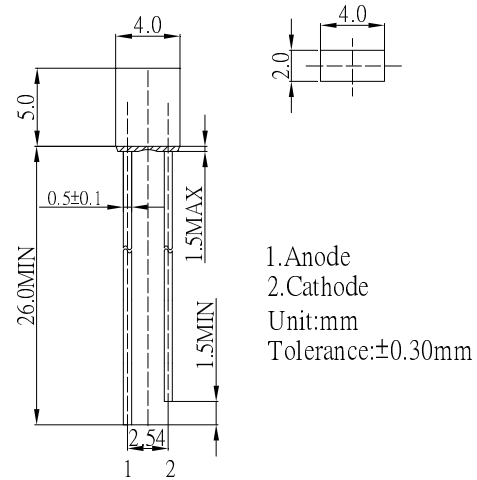
■Features

- High Luminous LEDs
- 2x4x5mm Rectangular Standard Directivity
- Long Lifetime Operation
- UV Resistant Epoxy
- Color Diffused Type / White Diffused

■Applications

- Games & Toys
- Indications
- Back Lighting
- Decorations

■Outline Dimension



■Absolute Maximum Rating

(Ta=25°C)

| Item | Symbo l | Value | | Unit |
|----------------------------|-----------------|------------|----------|------|
| | | W/M/B/PG | YG/Y/O/R | |
| DC Forward Current | I _F | 25 | 30 | mA |
| Pulse Forward Current# | I _{FP} | 80 | 100 | mA |
| Reverse Voltage | V _R | 5 | 5 | V |
| Power Dissipation | P _D | 90 | 78 | mW |
| Operating Temperature | Topr | -40 ~ +85 | | °C |
| Storage Temperature | Tstg | -40~ +85 | | °C |
| Lead Soldering Temperature | Tsol | 260°C/5sec | | - |

#Pulse width Max 0.1ms, Duty ratio max 1/10

■Electrical -Optical Characteristics

(Ta=25°C)

| Part Number | Color | | V _F (V)* | | | I _R (μA) Max. | I _v (mcd)* | | | CCT/λD(nm)* | | | 2θ1/2(deg) Typ. |
|-------------|--------------|----|----------------------|------|------|-----------------------------|-----------------------|------|----------------------|-----------------|------|------|--------------------|
| | | | Min. | Typ. | Max. | | Min. | Typ. | Max. | Min. | Typ. | Max. | |
| | | | I _F =20mA | | | V _R =5V | | | I _F =20mA | | | | |
| OSW5YK7YA4B | White | W | - | 3.1 | 3.6 | 10 | 500 | 750 | - | CCT:8000-18000K | | | 100 |
| OSM5YK7YA4B | Warm White | M | - | 3.1 | 3.6 | 10 | 330 | 500 | - | CCT:2700-3200K | | | 100 |
| OSB5YU7YA4B | Blue | B | - | 3.1 | 3.6 | 10 | 150 | 220 | - | 465 | 470 | 475 | 100 |
| OSG5TA7YA4B | Pure Green | PG | - | 3.1 | 3.6 | 10 | 330 | 500 | - | 520 | 525 | 530 | 100 |
| OSG8HA7YA4B | Yellow Green | YG | - | 2.1 | 2.6 | 10 | 68 | 100 | - | 565 | 570 | 575 | 100 |
| OSY5JA7YA4B | Yellow | Y | - | 2.1 | 2.6 | 10 | 100 | 150 | - | 585 | 590 | 595 | 100 |
| OSO5JA7YA4B | Orange | O | - | 2.1 | 2.6 | 10 | 100 | 150 | - | 600 | 605 | 610 | 100 |
| OSR5JA7YA4B | Red | R | - | 2.1 | 2.6 | 10 | 100 | 150 | - | 620 | 625 | 630 | 100 |

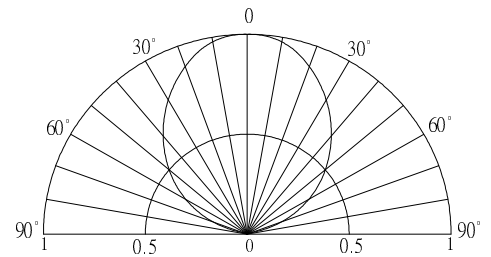
*1 Tolerance of measurements of dominant wavelength is ±1nm

*2 Tolerance of measurements of chromaticity coordinate / CCT is ±10%

*3 Tolerance of measurements of luminous intensity is ±15%

*4 Tolerance of measurements of forward voltage is ±0.1V

■Directivity



X-ON Electronics

Largest Supplier of Electrical and Electronic Components

Click to view similar products for [Standard LEDs - Through Hole category:](#)

Click to view products by [Optosupply manufacturer:](#)

Other Similar products are found below :

[LTL-10234W](#) [LTL-10254W](#) [LTL-1214A](#) [LTL-2231AT](#) [LTL2H3HRKL13](#) [LTL-3251A](#) [LTL-4262N](#) [LTL-5234](#) [LTL87HTBK](#) [LTW-87HD4B](#) [7383/V7C3-BSTA-L/PR3/MS](#) [1L0532V23G0TD001](#) [LNX998CKBDA](#) [LO566UHR3-70G-A3](#) [LP379PPG1C0G0300001](#) [SLR-322MCT32](#) [SLR-342VCTB7](#) [SLR343BCTT32](#) [SLX-LX3044GD](#) [SLX-LX3044ID](#) [SLX-LX3044YD](#) [SSS-LX4673ID-410B](#)
[1L0532Y24I0TD001](#) [264-7SYGD/S530-E2](#) [HLMP1385](#) [LTL-10224W](#) [LTL-1224A](#) [LTL-1BEHJ-012](#) [LU7-E-B](#) [4380H1](#) [TLHY44K1L2](#)
[484-10SYGT/S530-E2](#) [L53SRC/E-Z](#) [L-7679C1ZGC](#) [4302T1-5V](#) [4306D23](#) [4363D1/5](#) [WP1503SRC/J4](#) [WP153GDT](#) [WP153YDT](#)
[WP1543SGC](#) [WP1543SURC](#) [WP7113HD](#) [WP7113MBD](#) [WP7113MGC](#) [WP7143SEC/H](#) [Z-221A](#) [ZD0172](#) [EALP05RDEWA2](#) [SLR-332MCT32](#)