

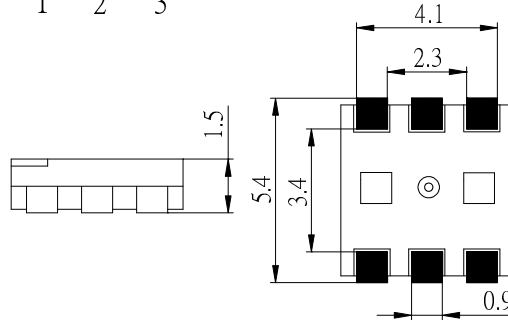
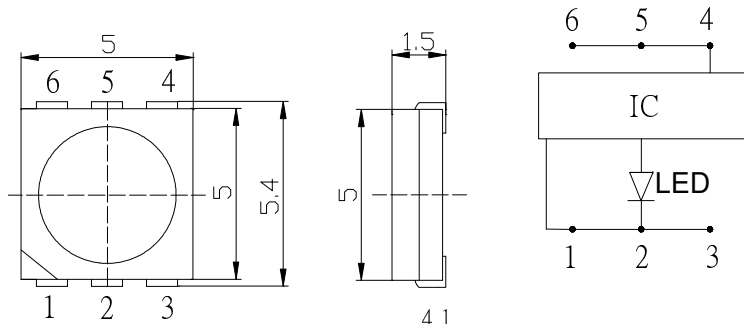
■Features

- High Luminous PLCC6 Top SMD LEDs
- 5.0x5.0x1.5mm Standard Directivity
- Candle Flashing Type
- Water Clear Type

■Applications

- Toys
- Games
- Audio
- Other Lighting

■Outline Dimension



Back View

4,5,6.Anode
1,2,3.Cathode

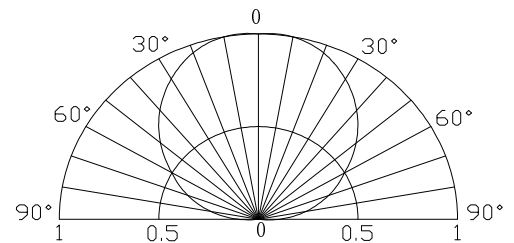
Unit:mm
Tolerance:±0.20mm
unless otherwise noted

■Absolute Maximum Rating

(Ta=25°C)

| Item | Symbol | Value | Unit |
|----------------------------|---------|-------------|------|
| Power Supply | Voltage | 5 | V |
| Operating Temperature | Topr | -30 ~ +85 | °C |
| Storage Temperature | Tstg | -40~ +100 | °C |
| Lead Soldering Temperature | Tsol | 260°C/10sec | - |

■Directivity



■Electrical -Optical Characteristics

(Ta=25°C)

| Item | Symbol | Conditio | Min. | Typ. | Max. | Unit |
|---------------------|-------------------|----------------------|------|------|------|------|
| DC Forward Voltage | V _{dd} | I _F =20mA | 2.5 | 3.3 | 5.0 | V |
| Domi. Wavelength* | λ _D | I _F =20mA | 585 | 590 | 595 | nm |
| Luminous Intensity* | I _v | I _F =20mA | 750 | 1120 | - | mcd |
| 50% Power Angle | 2θ _{1/2} | I _F =20mA | - | 120 | - | deg |

*1 Tolerance of measurements of dominant wavelength is ±1nm

*2 Tolerance of measurements of luminous intensity is ±15

*3 Tolerance of measurements of forward voltage is ±0.1V

X-ON Electronics

Largest Supplier of Electrical and Electronic Components

Click to view similar products for [optosupply](#) manufacturer:

Other Similar products are found below :

[OSB5SA5111A-CRLED16](#) [OSG5DA5A31A-12V](#) [OSM5DK5111A-CRLED16](#) [OSTAMA8131A](#) [OSW5DK34E1A](#) [OSB5SA5A31A-CR18](#)
[OSB64L5111A-CRLED18](#) [OS5YKE56F1A](#) [OSB56TS4C1A](#) [OSRPMS5A31A](#) [OSW4XAHCE1E](#) [OSRPM25A32A](#) [OSRGLCA192A](#)
[OSRYMS3131A](#) [OSM5XAHEE1E](#) [OSR5PAZ4E1D](#) [OSK7DL3131A](#) [OSTAMC51A5A](#) [OS5RPM5HA1D-NO](#) [OSW4XAHBE1E](#)
[OSW54LS3C1A-CRLED18](#) [OSW4XAHAE1E](#) [OSB51206E1N](#) [OSB5SA61A4A](#) [OSG5XME3E1E](#) [OSR5060341F](#) [OSY5MKS4C1A](#)
[OSM56V5B61A](#) [OSGGH234E1A](#) [OSK4056A-IG](#) [OS-LRI2015X45S](#) [OSG81206E1N-0.8T](#) [OSYBMC7BA1B](#) [OSRBMC5B31A-5V](#)
[OSY5PAA131B](#) [OSM44K5B32A](#) [OS5YAAA131A](#) [OSR9XAE3E1E](#) [OSY5PA5111A](#) [OSYPMS3131A](#) [OSY5RU8131A-12V](#)
[OSR5XAAC11U](#) [OSB4XDE5E1E](#) [OSM5X2E5E1E](#) [OS5OGA5HA1B](#) [OSO5JA61A4A](#) [OSO5PAA131B](#) [OSG5DAA131B](#) [OSM5DKA131B](#)
[OSCF4LS1C1A](#)