

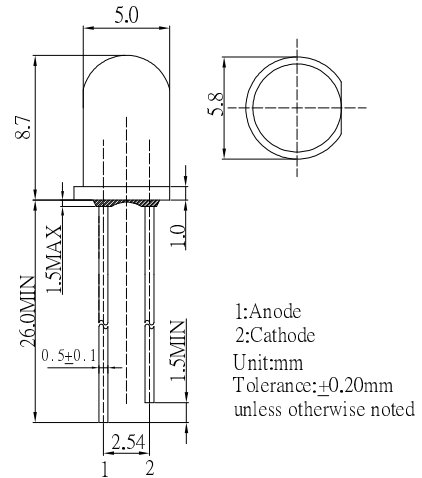
■ **Features**

- High Luminous LEDs
- Low Power Consumption
- UV Resistant Epoxy
- Specified at IF = 1 mA
- Water Clear Type

■ **Applications**

- Background illumination
- Communications equipment
- Low power DC circuits
- General lighting purposes

■ **Outline Dimension**

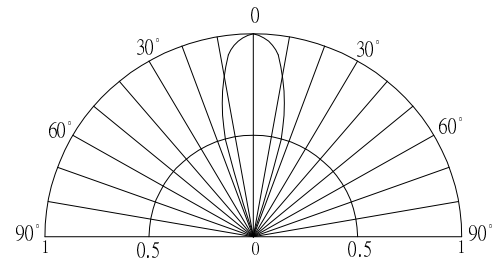


■ **Absolute Maximum Rating**

(Ta=25°C)

Item	Symbol	Value		Unit
		W/M/B/PG	YG/Y/O/R	
DC Forward Current	IF	30	30	mA
Pulse Forward Current#	IFP	100	100	mA
Reverse Voltage	VR	5	5	V
Power Dissipation	PD	102	66	mW
Operating Temperature	Topr	-30 ~ +85		°C
Storage Temperature	Tstg	-40~ +100		°C
Lead Soldering Temperature	Tsol	260°C/5sec		-

■ **Directivity**



#Pulse width Max.10ms Duty ratio max 1/10

■ **Electrical -Optical Characteristics**

(Ta=25°C)

Part Number	Color			VF (V)			IR(μA)	IV(mcd)			λD(nm)			θ1/2(deg)
				Min.	Typ.	Max.	Max.	Min.	Typ.	Max.	Min.	Typ.	Max.	Typ.
				IF=1mA			VR=5V	IF=1mA						
OSW54K5A31A-1MA	White	W		-	2.8	3.4	10	1560	2180	-	5500-8500K(X:0.27,Y:0.28)			30
OSM54K5A31A-1MA	Warm White	M	■	-	2.8	3.4	10	1120	1560	-	2700-3200K(X:0.45,Y:0.41)			30
OSB5DA5A31A-1MA	Blue	B	■	-	2.8	3.4	10	750	1120	-	465	470	475	30
OSG58A5A31A-1MA	Pure Green	PG	■	-	2.8	3.4	10	1560	2180	-	520	525	530	30
OSY5PA5A31A-1MA	Yellow	Y	■	-	1.8	2.2	10	750	1120	-	585	590	595	30
OSO5PA5A31A-1MA	Orange	O	■	-	1.8	2.2	10	750	1120	-	600	605	610	30
OSR5PA5A31A-1MA	Red	R	■	-	1.8	2.2	10	750	1120	-	620	625	630	30

\*1 Tolerance of measurements of chromaticity coordinate is ±10% \*2 Tolerance of measurements of dominant wavelength is ±1nm

\*3 Tolerance of measurements of luminous intensity is ±15% \*4 Tolerance of measurements of forward voltage is +0.1V

**LED & Application Technologies**



## X-ON Electronics

Largest Supplier of Electrical and Electronic Components

*Click to view similar products for [Standard LEDs - Through Hole category:](#)*

*Click to view products by [Optosupply manufacturer:](#)*

Other Similar products are found below :

[LTL-10234W](#) [LTL-10254W](#) [LTL-1214A](#) [LTL-2231AT](#) [LTL2H3HRKL13](#) [LTL-3251A](#) [LTL-4262N](#) [LTL-5234](#) [LTL87HTBK](#) [LTW-87HD4B](#) [7383/V7C3-BSTA-L/PR3/MS](#) [1L0532V23G0TD001](#) [LNX998CKBDA](#) [LO566UHR3-70G-A3](#) [LP379PPG1C0G0300001](#) [SLR-322MCT32](#) [SLR-342VCTB7](#) [SLR343BCTT32](#) [SLX-LX3044GD](#) [SLX-LX3044ID](#) [SLX-LX3044YD](#) [SSS-LX4673ID-410B](#)  
[1L0532Y24I0TD001](#) [264-7SYGD/S530-E2](#) [HLMP1385](#) [LTL-10224W](#) [LTL-1224A](#) [LTL-1BEHJ-012](#) [LU7-E-B](#) [4380H1](#) [TLHY44K1L2](#)  
[484-10SYGT/S530-E2](#) [L53SRC/E-Z](#) [L-7679C1ZGC](#) [4302T1-5V](#) [4306D23](#) [4363D1/5](#) [WP1503SRC/J4](#) [WP153GDT](#) [WP153YDT](#)  
[WP1543SGC](#) [WP1543SURC](#) [WP7113HD](#) [WP7113MBD](#) [WP7113MGC](#) [WP7143SEC/H](#) [Z-221A](#) [ZD0172](#) [EALP05RDEWA2](#) [SLR-332MCT32](#)