

CURRENT REGULATIVE LED

CRLED

- CRLED is LED which supplies constant current to keep LED Intensity Consistency even when power supply voltage fluctuations or load impedance fluctuations occur.
- CRLED is used with current stabilization and current limiting

■ Features

- High Luminous Output
- 5mm Cylinder Standard Directivity
- UV Resistant Epoxy
- Water Clear Type

■ Absolute Maximum Rating

(Ta=25°C)

Item	Symbol	Value	Unit
DC Forward Voltage	V _F	20	V
Power Dissipation	P _D	320	mW
Operating Temperature	Topr	-30 ~ +85	°C
Storage Temperature	Tstg	-40 ~ +100	°C
Lead Soldering Temperature	Tsol	260°C/5sec	-

■ Electrical -Optical Characteristics

(Ta=25°C)

Part Number	Color	VF(V)		IF (mA)			IR(μA)	Iv(mcd)*			λD(nm)*			2θ1/2(deg)
		Min.	Max.	Min.	Typ.	Max.	Max.	Min.	Typ.	Max.	Min.	Typ.	Max.	Typ.
OSW5DK5GA1B-CRLED14	White	5.5	20	-	14	-	10	-	1560	-	X=0.27, Y=0.28(CCT:8500-18000)			100
OSM5DK5GA1B-CRLED14	Warm White	5.5	20	-	14	-	10	-	1560	-	X=0.44, Y=0.41(CCT:2700-3300)			100
OSB5SA5GA1B-CRLED14	Blue	5.5	20	-	14	-	10	-	750	-	465	470	475	100
OSG5DA5GA1B-CRLED14	Pure Green	5.5	20	-	14	-	10	-	1560	-	520	525	530	100
OSY5PA5GA1B-CRLED14	Yellow	5	20	-	14	-	10	-	1000	-	585	590	595	100
OSO5PA5GA1B-CRLED14	Orange	5	20	-	14	-	10	-	1000	-	600	605	610	100
OSR5PA5GA1B-CRLED14	Red	5	20	-	14	-	10	-	1000	-	620	625	630	100

*1 Tolerance of measurements of chromaticity coordinate is ±10%

*2 Tolerance of measurements of dominant wavelength is ±1nm

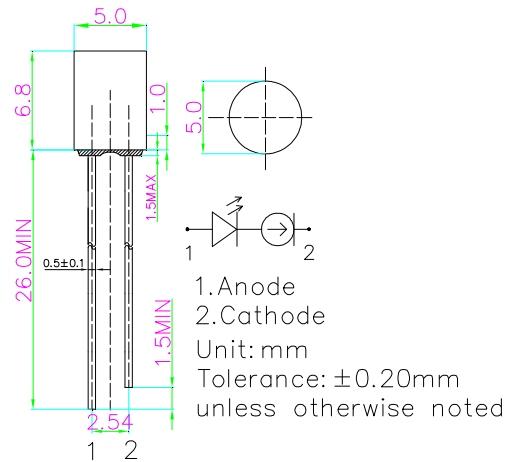
*3 Tolerance of measurements of luminous intensity is ±15%

*4 Tolerance of measurements of forward voltage is ±0.1V

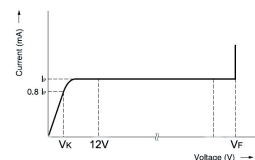
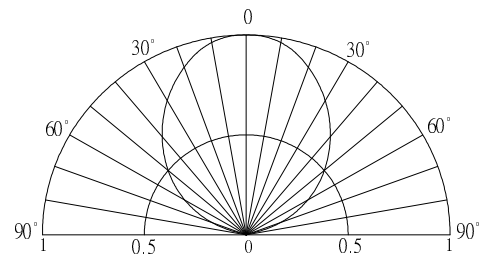
■ Applications

- Electronic Signs And Signals/ Small Area Illuminations
- Back Lighting/ Toys/ Other Lighting

■ Outline Dimension



■ Directivity

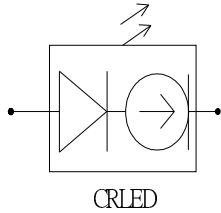


Explanation of terms
I_p Pinch-off current at 12V
V_p Voltage which produces 0.8Ip or greater current
V_b Breakdown voltage

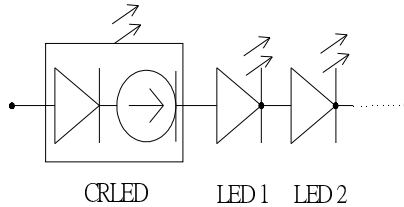
Current Regulative LED
5mm Cylinder LED
OSXXXX5GA1B-CRLED14

■ **Typical Applications**

1 : Single LED



2 : Multi- LEDs in series



X-ON Electronics

Largest Supplier of Electrical and Electronic Components

Click to view similar products for [Optosupply](#) manufacturer:

Other Similar products are found below :

[OECCDD01-300](#) [OEHW2030GF](#) [OEHW2045GF](#) [OEHW2060GF](#) [OEHW2090GF](#) [OKLEDT3050G5V](#) [OKLEDT3050RBV](#)
[OKLEDT3050RBW](#) [OKLEDT3050RPV](#) [OKLEDT3050RPW](#) [OKLEDT3050WAW](#) [OKLEDT30606A](#) [OKLEDT3100B5](#) [OKLEDT3100G8](#)
[OKLEDT3100M3](#) [OKLEDT3100M4](#) [OKLEDT3100R6](#) [OKLEDT3100W6](#) [OKLEDT3100Y5](#) [OKLEDT31203A](#) [OKLEDT31206A](#)
[OKLEDT5050B5W](#) [OKLEDT5050G5W](#) [OKLEDT5050RBV](#) [OKLEDT5050RBW](#) [OKLEDT5050RPW](#) [OKLEDT5050TAW](#)
[OKLEDT5050WAV](#) [OKLEDT50606A](#) [OKLEDT50606B](#) [OKLEDT5100B5](#) [OKLEDT5100G8](#) [OKLEDT5100M3](#) [OKLEDT5100R6](#)
[OKLEDT5100W6](#) [OKLEDT5100WA](#) [OKLEDT5100Y5](#) [OKLEDT51203A](#) [OKLEDT8050G5V](#) [OKLEDT8050G5W](#) [OKLEDT8050M3V](#)
[OKLEDT8050R5V](#) [OKLEDT8050RBV](#) [OKLEDT8050RPW](#) [OKLEDT8050WAW](#) [OPDK-G5DA8B31F](#) [OPDK-W5DK8B31F](#) [OPDK-](#)
[Y5CA8B31F](#) [OPDO-M5DK8B31F](#) [OS2MDK3131A](#)