

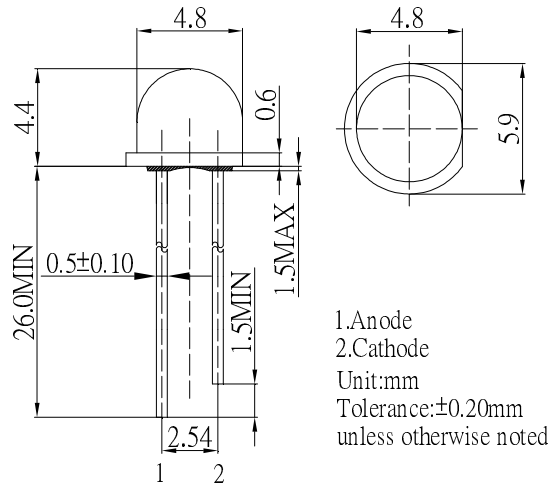
**■ Features**

- High Luminous LEDs
- 4.8mm Helmet Standard Directivity
- UV Resistant Epoxy
- Water Clear Type

**■ Applications**

- Electronic Signs And Signals
- Back Lighting
- Small Area Illuminations
- Other Lighting

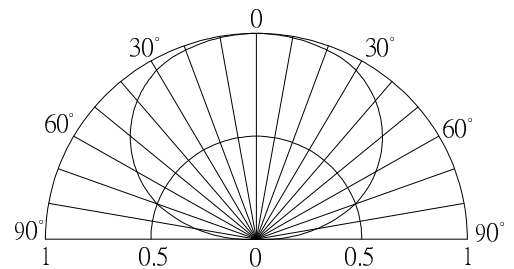
**■ Outline Dimension**



**■ Absolute Maximum Rating (Ta=25°C)**

Item	Symbol	Value		Unit
		W/M/K/B/PG	Y/O/R	
DC Forward Current	I <sub>F</sub>	30	30	mA
Pulse Forward Current*	I <sub>FP</sub>	100	100	mA
Reverse Voltage	V <sub>R</sub>	5	5	V
Power Dissipation	P <sub>D</sub>	108	78	mW
Operating Temperature	T <sub>opr</sub>	-30 ~ +85		°C
Storage Temperature	T <sub>stg</sub>	-40 ~ +100		°C
Lead Soldering Temperature	T <sub>sol</sub>	260°C/5sec		-

**■ Directivity**



\*Pulse width Max.10ms Duty ratio max 1/10

**■ Electrical -Optical Characteristics (Ta=25°C)**

Part Number	Color		V <sub>F</sub> (V)			I <sub>R</sub> (μA)	I <sub>v</sub> (mcd)			λD (nm)			θ1/2 (deg)
			Min.	Typ.	Max.	Max.	Min.	Typ.	Max.	Min.	Typ.	Max.	Typ.
			I <sub>F</sub> =20mA			V <sub>R</sub> =5V	I <sub>F</sub> =20mA						
OSW54K5PE1A	White	W	2.8	3.1	3.6	10	3000	4200	-	Typ. X:0.27,Y:0.28			140
OSM54K5PE1A	Warm White	M	2.8	3.1	3.6	10	2180	3000	-	Typ. X:0.45,Y:0.41			140
OSB5SA5PE1A	Blue	B	2.8	3.1	3.6	10	750	1120	-	465	465	475	140
OSG5GA5PE1A	Pure Green	PG	2.8	3.1	3.6	10	2180	3000	-	520	525	530	140
OSY5PA5PE1A	Yellow	Y	1.8	2.1	2.6	10	1120	1560	-	585	590	595	140
OSO5PA5PE1A	Orange	O	1.8	2.1	2.6	10	1560	2180	-	600	605	610	140
OSR5PA5PE1A	Red	R	1.8	2.1	2.6	10	1120	1560	-	620	625	630	140

\*1 Tolerance of measurements of chromaticity coordinate is ±10%  
 \*2 Tolerance of measurements of dominant wavelength is ±1nm  
 \*3 Tolerance of measurements of luminous intensity is ±15%  
 \*4 Tolerance of measurements of forward voltage is ±0.1V

## X-ON Electronics

Largest Supplier of Electrical and Electronic Components

*Click to view similar products for [Standard LEDs - Through Hole category](#):*

*Click to view products by [Optosupply manufacturer](#):*

Other Similar products are found below :

[LTL-10254W](#) [LTL-1214A](#) [LTL-1BEDJ](#) [LTL-2231AT](#) [LTL-3251A](#) [LTL-4262N](#) [LTL-5234](#) [LTL87HTBK](#) [LTW-87HD4B](#) [7383/V7C3-BSTA-L/PR3/MS](#) [G22041431007J2C000](#) [HLMP-AG64-X10ZZ](#) [HLMP-EG1A-Z10DV](#) [HLMP-EL3B-WXKDD](#) [HLMP-HB74-UVBDD](#) [HLMP-HG65-VY0DD](#) [HLMP-HM74-34CDD](#) [HLMP-HM75-34CDD](#) [1L0532V23G0TD001](#) [NSPW500CS](#) [C4SMA-BGF-CQ34Q3C2](#) [L53GC13](#) [264-7SURTS530-A3](#) [L-C150JRCT](#) [S4SMS-BJF-CQ42QGF2](#) [S4SMS-GJF-CW12QMF2](#) [LD CQDP-1U3U-W5-1-K](#) [LNX998CKBDA](#) [LO566UHR3-70G-A3](#) [SLA560WBD2PT3](#) [LP379PPG1C0G0300001](#) [SLR-322MCT32](#) [SLR-342DUT32](#) [SLR-342MC3F](#) [SLR343BC7TT32](#) [SLR343BCTT32](#) [SLX-LX3044GD](#) [SLX-LX3044ID](#) [SLX-LX3044YD](#) [SNW-LX504SRC/4](#) [1.90690.3330000](#) [SSL-LX20483ID](#) [SSL-LX3034YD](#) [SSL-LX5093LGT-11](#) [SSL-LX5093PGC](#) [SSL-LX5093SRC/F](#) [SSL-LX5093SYT](#) [SSL-LX5099SRSGC-CA](#) [SSL-LX509E3SIT](#) [SSL-LX509FT3ID](#)