

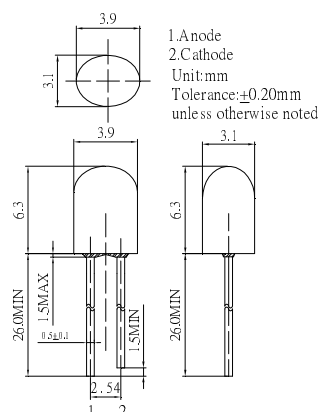
■Features

- High Luminous LED
- 3.9x3.1mm Round Standard Directivity
- Long Lifetime Operation
- Superior UV Resistance
- Water Clear Type

■Applications

- Electronic Signs And Signals
- Small Area Illuminations
- Back Lighting
- Other Lighting

■Outline Dimension

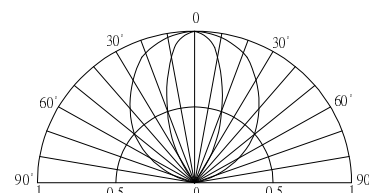


■Absolute Maximum Rating

(Ta=25°C)

■Directivity

Item	Symbol	Value			Unit
		W/M/B/PG	Y5RU/O5JA/R5RU	Y5PA/O5PA/R5PA	
DC Forward Current	I _F	30	30	50	mA
Pulse Forward Current*	I _{FP}	100	100	120	mA
Reverse Voltage	V _R	5	5	5	V
Power Dissipation	P _D	102	78	130	mW
Operating Temperature	T _{opr}	-30 ~ +85			°C
Storage Temperature	T _{stg}	-40 ~ +100			°C
Lead Soldering Temperature	T _{sol}	260°C / 5sec			-



*Pulse width Max 0.1ms, Duty ratio max 1/10

■Electrical -Optical Characteristics

(Ta=25°C)

Part Number	Color		V _F (V)			I _R (μA)	I _v (mcd)*			λD (nm)*			2θ1/2(deg)
			Min.	Typ.	Max.	Max.	Min.	Typ.	Max.	Min.	Typ.	Max.	Typ.
			I _F =20mA			V _R =5V		I _F =20mA					
OSW5DK43A1B	White	W	2.7	2.9	3.4	10	4200	5800	-	Typ.X:0.27, Y:0.28		100/40	
OSM5DK43A1B	Warm White	M	2.7	2.9	3.4	10	4200	5800	-	Typ.X:0.45, Y:0.41		100/40	
OSB5SA43A1B	Blue	B	2.8	3.1	3.6	10	2180	3000	-	465	470	475	100/40
OSG5DA43A1B	Pure Green	PG	2.8	3.1	3.6	10	4200	5800	-	520	525	530	100/40
OSY5RU43A1B	Yellow	Y	1.8	2.1	2.6	10	750	1120	-	585	590	595	100/40
OSY5PA43A1B	Yellow	Y	1.8	2.1	2.6	10	4200	5800	-	585	590	595	100/40
OSO5JA43A1B	Orange	O	1.8	2.1	2.6	10	750	1120	-	600	605	610	100/40
OSO5PA43A1B	Orange	O	1.8	2.1	2.6	10	4200	5800	-	600	605	610	100/40
OSR5RU43A1B	Red	R	1.8	2.1	2.6	10	750	1120	-	620	625	630	100/40
OSR5PA43A1B	Red	R	1.8	2.1	2.6	10	4200	5800	-	620	625	630	100/40

*1 Tolerance of measurements of Domi. wavelength is ±1nm

*2 Tolerance of measurements of chromaticity coordinates is ±10%

*3 Tolerance of measurements of luminous intensity is ±15%

*4 Tolerance of measurements of forward voltage is ±0.1V

X-ON Electronics

Largest Supplier of Electrical and Electronic Components

Click to view similar products for [Standard LEDs - Through Hole category:](#)

Click to view products by [Optosupply manufacturer:](#)

Other Similar products are found below :

[LTL-10254W](#) [LTL-1214A](#) [LTL-1BEDJ](#) [LTL-2231AT](#) [LTL-3251A](#) [LTL-4262N](#) [LTL-5234](#) [LTL87HTBK](#) [LTD-87HD4B](#) [7383/V7C3-BSTA-L/PR3/MS](#) [G22041431007J2C000](#) [HLMP-AG64-X10ZZ](#) [HLMP-EG1A-Z10DV](#) [HLMP-EL3B-WXKDD](#) [HLMP-HB74-UVBDD](#) [HLMP-HG65-VY0DD](#) [HLMP-HM74-34CDD](#) [HLMP-HM75-34CDD](#) [1L0532V23G0TD001](#) [NSPW500CS](#) [C4SMA-BGF-CQ34Q3C2](#) [L53GC13](#) [264-7SURTS530-A3](#) [L-C150JRCT](#) [S4SMS-BJF-CQ42QGF2](#) [S4SMS-GJF-CW12QMF2](#) [LD CQDP-1U3U-W5-1-K](#) [LNX998CKBDA](#) [LO566UHR3-70G-A3](#) [SLA560WBD2PT3](#) [LP379PPG1C0G0300001](#) [SLR-322MCT32](#) [SLR-342DUT32](#) [SLR-342MC3F](#) [SLR343BC7TT32](#) [SLR343BCTT32](#) [SLX-LX3044GD](#) [SLX-LX3044ID](#) [SLX-LX3044YD](#) [SNW-LX504SRC/4](#) [1.90690.3330000](#) [SSL-LX20483ID](#) [SSL-LX3034YD](#) [SSL-LX5093LGT-11](#) [SSL-LX5093PGC](#) [SSL-LX5093SRC/F](#) [SSL-LX5093SYT](#) [SSL-LX5099SRSGC-CA](#) [SSL-LX509E3SIT](#) [SSL-LX509FT3ID](#)