

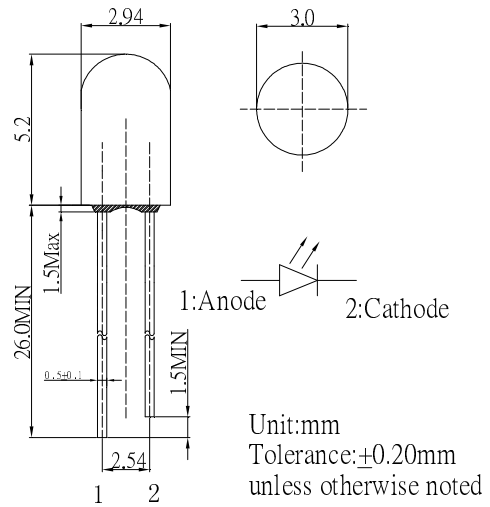
■ **Features**

- High Luminous LEDs
- 3mm Round Standard Directivity
- UV Resistant Epoxy
- Color Diffused / White Diffused

■ **Applications**

- Electronic Signs And Signals
- Small Area Illuminations
- Back Lighting
- Other Lighting

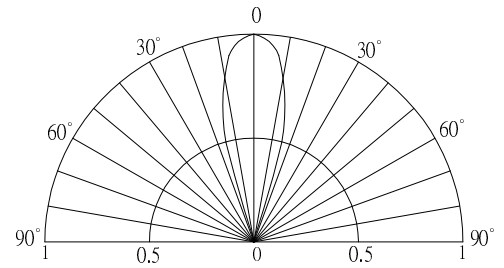
■ **Outline Dimension**



■ **Absolute Maximum Rating (Ta=25°C)**

Item	Symbol	Value		Unit
		W/M/PG/B	R/Y	
DC Forward Current	I _F	35	35	mA
Pulse Forward Current#	I _{FP}	100	100	mA
Reverse Voltage	V _R	5	5	V
Power Dissipation	P _D	126	91	mW
Operating Temperature	T _{opr}	-30 ~ +85		°C
Storage Temperature	T _{stg}	-40~ +100		°C
Lead Soldering Temperature	T _{sol}	260°C/5sec		-

■ **Directivity**



#Pulse width Max.10ms Duty ratio max 1/10

■ **Electrical -Optical Characteristics (Ta=25°C)**

Part Number	Color		V _F (V)*			I _R (μA)	Φ v(Lm)*			Wd(nm)*			2θ1/2(deg)		
			Min.	Typ.	Max.		Max.	Min.	Typ.	Max.	Min.	Typ.		Max.	Typ.
			I _F =30mA				V _R =5V	I _F =30mA							
OSW44L3E32B	White	W	2.8	3.1	3.6	10	7	9	-	X:0.31,Y:0.33			30		
OSM54L3E32B	Warm White	M	2.8	3.1	3.6	10	6	8	-	X:0.45,Y:0.41			30		
OSB5DL3E34B	Blue	B	2.8	3.1	3.6	10	1.5	1.9	-	465	470	475	30		
OSG5GL3E34B	Pure Green	PG	2.8	3.1	3.6	10	6	7.3	-	520	525	530	30		
OSY6PA3E34B	Amber	Y	1.8	2.2	2.6	10	4	5	-	590	595	600	30		
OSR5PA3E34B	Red	R	1.8	2.2	2.6	10	2	2.7	-	620	625	630	30		

*1 Tolerance of measurements of chromaticity coordinate is ±10%

*2 Tolerance of measurements of dominant wavelength is ±1nm

*3 Tolerance of measurements of luminous intensity is ±15%

*4 Tolerance of measurements of forward voltage is ±0.1V

X-ON Electronics

Largest Supplier of Electrical and Electronic Components

Click to view similar products for [Standard LEDs - Through Hole category:](#)

Click to view products by [Optosupply manufacturer:](#)

Other Similar products are found below :

[LTL-10234W](#) [LTL-10254W](#) [LTL-1214A](#) [LTL-2231AT](#) [LTL-3251A](#) [LTL-4262N](#) [LTL-433P](#) [LTL-5234](#) [LTL87HTBK](#) [LTW-87HD4B](#)
[HLMP-3507-D00B1](#) [HLMP-EL30-PS0DD](#) [1L0532V23G0TD001](#) [NTE30036](#) [NTE30044](#) [NTE30059](#) [LD CQDP-1U3U-W5-1-K](#)
[LO566UHR3-70G-A3](#) [LP379PPG1C0G0300001](#) [SLX-LX3044GD](#) [SLX-LX3044ID](#) [SLX-LX3044YD](#) [1.90690.3330000](#) [SSS-LX4673ID-](#)
[410B](#) [1L0532Y24I0TD001](#) [264-7SYGD/S530-E2](#) [HLMP1385](#) [LTL-10224W](#) [LTL-1224A](#) [LTL-1234A](#) [LTL-1BEHJ-012](#) [LTL-2251AT](#) [LTL-](#)
[307YE-012](#) [LTL-403HR](#) [LTL-4222](#) [4380H1](#) [TLHY44K1L2](#) [HLMP-3451-D0000](#) [HLMP-3962-F0002](#) [HLMP-GG15-R0000](#) [L53SRC/E-Z](#) [L-](#)
[7679C1ZGC](#) [4302T1-5V](#) [4306D23](#) [4363D1/5](#) [WP1503SRC/J4](#) [WP153GDT](#) [WP153YDT](#) [WP1543SGC](#) [WP1543SRC/D](#)