



ORIENT

Photo coupler

Product Data Sheet

Part Number: OR-M304X/OR-M306X/OR-M308X

Customer: _____

Date: _____

SHENZHEN ORIENT COMPONENTS CO., LTD

Block A 3rd Floor No.4 Building, Tian'an Cyber Park, Huangge Rd, LongGang Dist, Shenzhen, GD

TEL: 0755-29681816

FAX: 0755-29681200

www.orient-opto.com

1. Features

- (1) High isolation voltage between input and output (Viso:3750 V rms)
- (2) 4pin zero-cross optoisolators triac driver output
- (3) High repetitive peak off-state voltage VDRM :
304X: Max. 400V,306X: Max. 600V,308X: Max. 800V
- (4) High critical rate of rise of off-state voltage dv/dt : MIN. 1000 V / us
- (5) Tape and reel packaging.
- (6) Operating temperature -40 °C to +110 °C
- (7) MSL Class I



2. Description

The OR-M304X, OR-M306X, OR-M308X each consist of a GaAs infrared emitting diode optically coupled to a monolithic silicon zero voltage crossing photo triac. They are designed for use with a discrete power triac in the interface of logic systems, such as solid-state relays, industrial controls, motors, solenoids and consumer appliances.

3. Application Range

- AC Motor Drives
- AC Motor Starters
- Static power switch
- Lighting Controls
- Solenoid/Valve Controls
- Solid State Relays
- Temperature Controls

4. Absolute Maximum Ratings (Ta=25°C)

Parameter		Symbol	Rated Value	Unit	
Input	Forward Current	I _F	50	mA	
	Junction Temperature	T _J	125	°C	
	Reverse Voltage	V _R	6	V	
	Power Dissipation	P	100	mW	
Output	Off-State Output Terminal Voltage	OR-M304X	V _{DRM}	400	V
		OR-M306X		600	
		OR-M308X		800	
	On state RMS current		I _{T(RMS)}	70	mA(RMS)
	Junction Temperature		T _J	125	°C
	Collector Power Dissipation		P _C	300	mW
Total Power Dissipation		P _{tot}	330	mW	
*1 Insulation Voltage		V _{iso}	3750	Vrms	
Working Temperature		T _{opr}	-40 ~ + 110	°C	
Deposit Temperature		T _{stg}	-55 ~ + 125		
*2 Soldering Temperature		T _{sol}	260		

Notes:

*1 AC for 1 minute, R.H.= 40 ~ 60% R.H. In this test, pins 1, 2&3 are shorted together, and pins 4, 6 are shorted together.

* 2 For 10 seconds

5. Electrical Optical Characteristics at Ta=25°C

Parameter		Symbol	Condition	Min	Typ.*	Max	Unit					
Input	Forward Voltage	V_F	$I_F=30\text{mA}$	---	1.2	1.6	V					
	Reverse Current	I_R	$V_R=6\text{V}$	---	---	5	μA					
Output	*1.Peak Blocking Current, Either Direction	I_{DRM}	$V_{\text{DRM}} = \text{Rated } V_{\text{DRM}}$	---	10	100	nA					
	Inhibit Voltage (MT1-MT2 voltage above which device will not trigger)	V_{INH}	$I_F = \text{Rated } I_{\text{FT}}$	---	---	20	V					
	Peak On-State Voltage, Either Direction	V_{TM}	$I_{\text{TM}}=100\text{mA Peak}$	---	1.7	3.0	V					
	*2.Critical rate of Rise of Off-State Voltage	dv/dt	$V_{\text{in}}=240\text{Vrms}$	1000	---	---	V/us					
Transfer Characteristics	*3.Led Trigger Current, Current Required to Latch Output, Either Direction	OR-M3040 OR-M3060 OR-M3080	I_{FT}	Main Terminal Voltage = 3V	---	---	30	mA				
		OR-M3041 OR-M3061 OR-M3081			---	---	15					
		OR-M3042 OR-M3062 OR-M3082			---	---	10					
		OR-M3043 OR-M3063 OR-M3083			---	---	5					
		OR-M3044 OR-M3064 OR-M3084			---	---	3					
		Holding Current, Either Direction			I_H		---		280	---	μA	

*1. Test voltage must be applied within dv/dt rating.

*2. This is static dv/dt. Commutating dv/dt is a function of the load-driving thyristor(s) only.

*3. All devices are guaranteed to trigger at an I_F value less than or equal to max I_{FT} . Therefore, recommended operating I_F lies between max I_{FT} , 30 mA for OR-M3040 and OR-M3060 and OR-M3080, 15 mA for OR-M3041 and OR-M3061 and OR-M3081, 10 mA for OR-M3042 and OR-M3062 and OR-M3082, 5 mA for OR-M3043 and OR-M3063 and OR-M3083, 3 mA for OR-M3044, OR-M3064 and OR-M3084, and absolute max I_F (50mA).



6. Order Information

Part Number

OR-M304X-Z

or **OR-M306X-Z**

or **OR-M308X-Z**

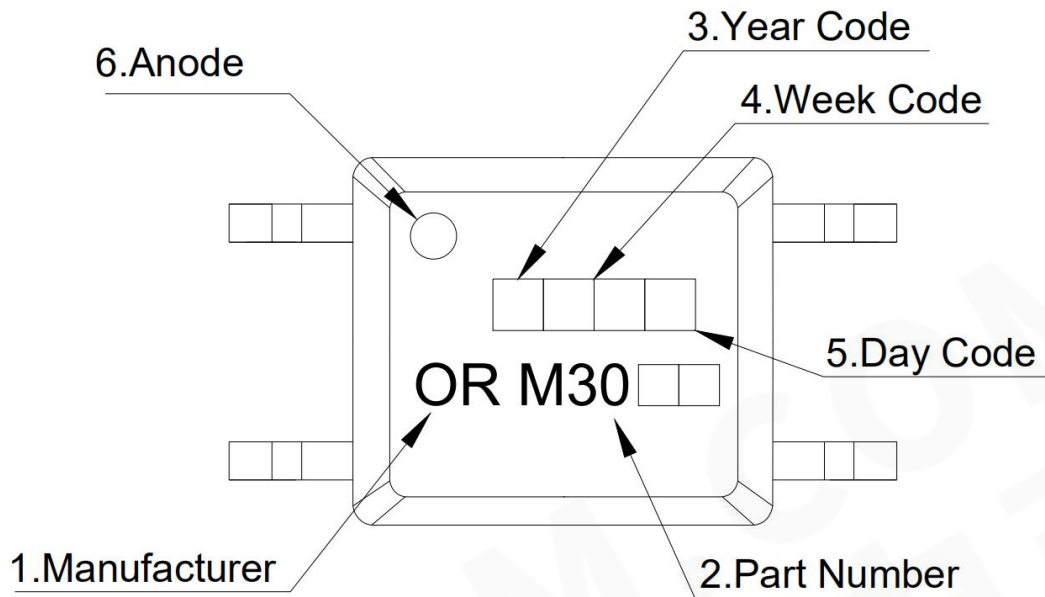
Note

X = Part Number(0,1,2,3 or 4)
Z = Tape and reel option (TP or TP1).

- * Halogen Free can be selected.
- * VDE Code can be selected.

Option	Description	Packing quantity
TP	Surface mount lead form (low profile) + TP tape & reel option	3000 units per reel
TP1	Surface mount lead form (low profile) + TP1 tape & reel option	3000 units per reel

7. Naming Rule



NOTE:

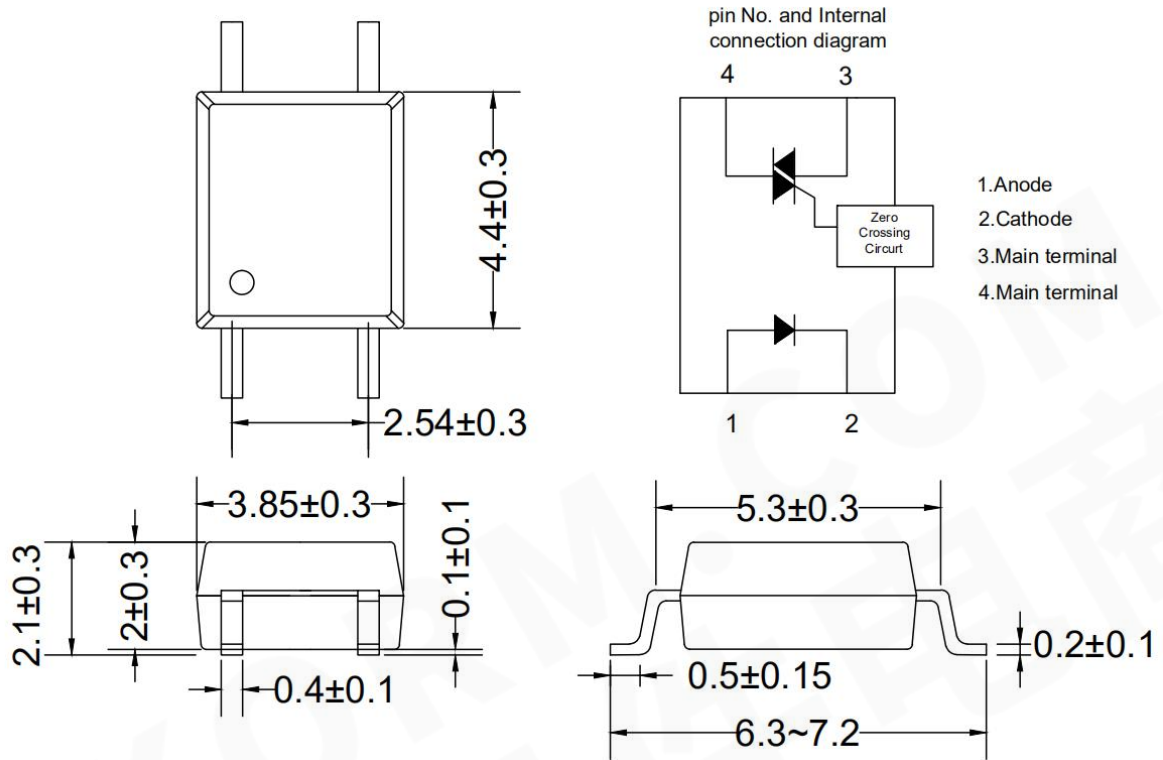
- (1) ORIENT .
- (2) 30 denotes Part Number.
- (3) denotes Year Code.
- (4) denotes Week Code.
- (5) denotes Day Code.
- (6) Anode.

* If the photo coupler is Free from Halogen, there will be a 'G' mark in the upper left corner.

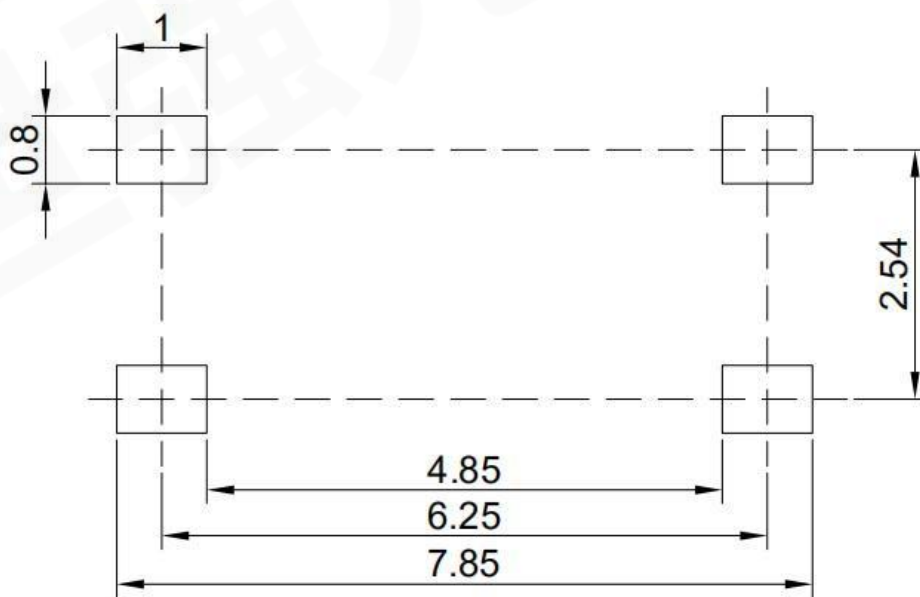
* VDE Code can be selected.

8. Package Dimension

OR-M30XX



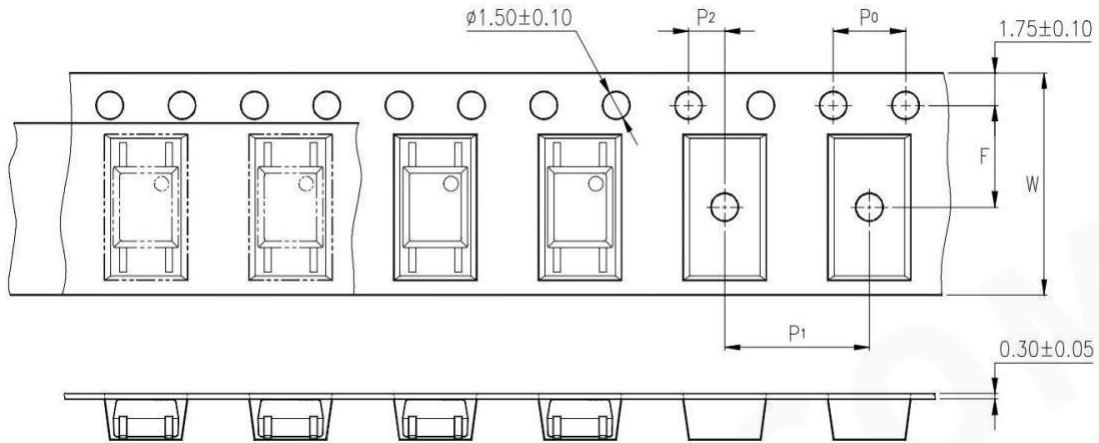
9. Recommended Foot Print Patterns (Mount Pad)



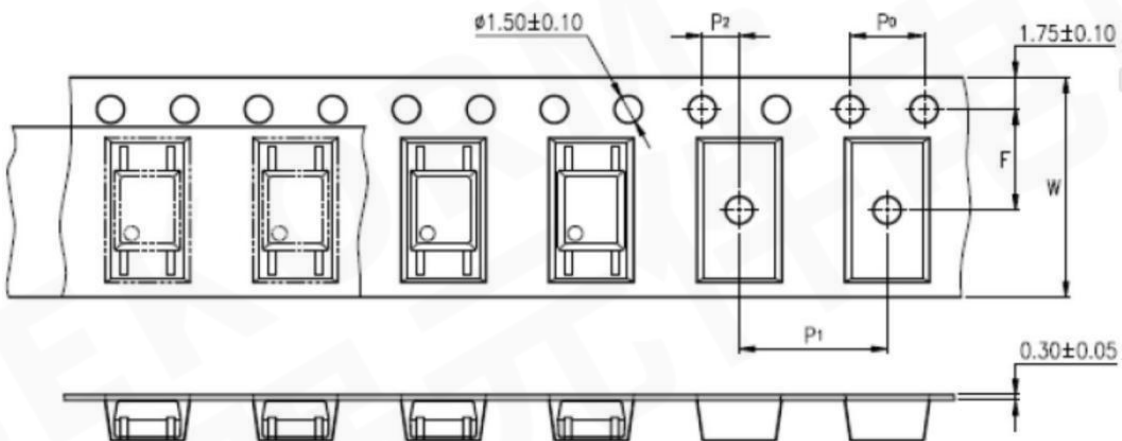
unit: mm

10. Taping Dimensions

(1)OR-M30XX-TP



(2)OR-M30XX-TP1



Description	Symbol	Dimension in mm (inch)
Tape wide	W	12±0.3 (0.472)
Pitch of sprocket holes	P0	4±0.1 (0.157)
Distance of compartment	F	5.5±0.1 (0.217)
	P2	2±0.1 (0.079)
Distance of compartment to compartment	P1	8±0.1 (0.315)

Package Type	TP/TP1
Quantities(pcs)	3000

11.Package Dimension

(1) package dimension

Packing Information

Packing Information	
Packing type	Reel type
Tape Width	12mm
Qty per Reel	3,000
Small box (inner) Dimension	345*345*45mm
Max qty per small box	6,000
Large box (Outer) Dimension	480x360x360mm
Max qty per large box	60,000

(2)Packing Label Sample



1. MTL NO:Contents with "Order Information" in the specification.
2. LOT NO:The production cycle of the product.
3. BATCH:The CTR RANK of the product.
4. Quantity:Product packaging quantity.
5. Product Data: The data when product be made.

12. Reliability Test

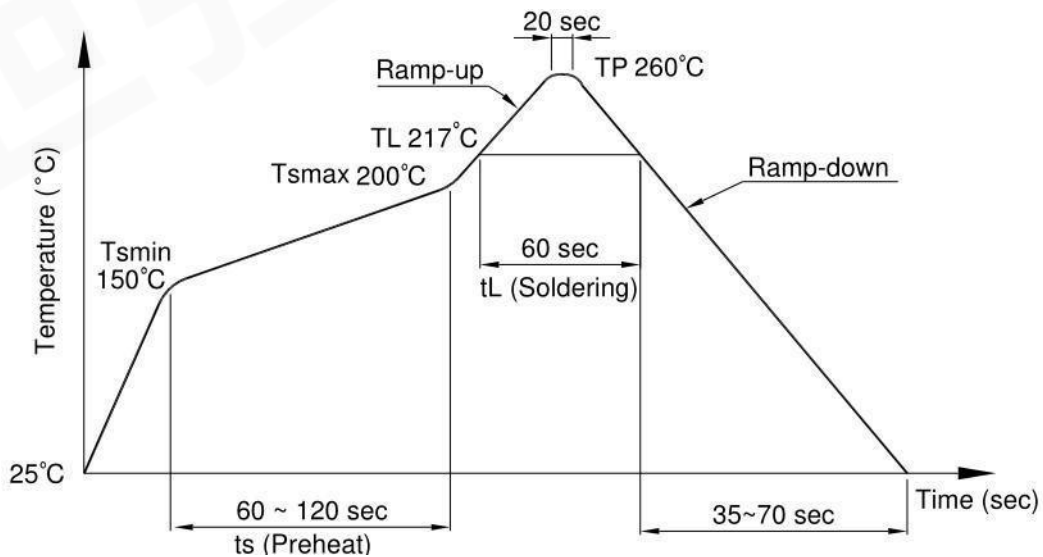
NO.	Item	Condition	Quantity	Cycle	Reference Standards
1	RSH, Resistance to Solder Heat	260±5°C, 20s/cycle	22	3 cycles	JESC22A-106
2	SD, Solderability	260±5°C, 10s/cycle	22	1 cycle	JESD22-B102
3	TC, Temperature Cycle	H: 125°C 15min ∫ 5min L: -55°C 15min	77	300cycles	JESC22A-104
4	TS, Thermal Shock	H: 100°C 5min ∫ 15s L: -10°C 5min	77	300cycles	JESC22A-106
5	LTSL, Low Temperature Storage	T: -55°C	77	1000h	JESD22-A119
6	HTSL, High Temperature Storage	T: 125°C	77	1000h	JESC22A-103
7	THB, High Temperature High Humidity	T: 85°C RH: 85%	77	1000h	JESC22A-101
8	HTOL DC Operating Life	T: 110°C IF=10mA VCC=5V	77	1000h	MIL-STD-750 Method 1037
9	ESD-HBM Human Body Model ESD	Ta=25°C, Reference JESD22-A114	6	1 cycle	JESD22-A114

13. Temperature Profile Of Soldering

(1).IR Reflow soldering (JEDEC-STD-020C compliant)

One time soldering reflow is recommended within the condition of temperature and time profile shown below. Do not solder more than three times.

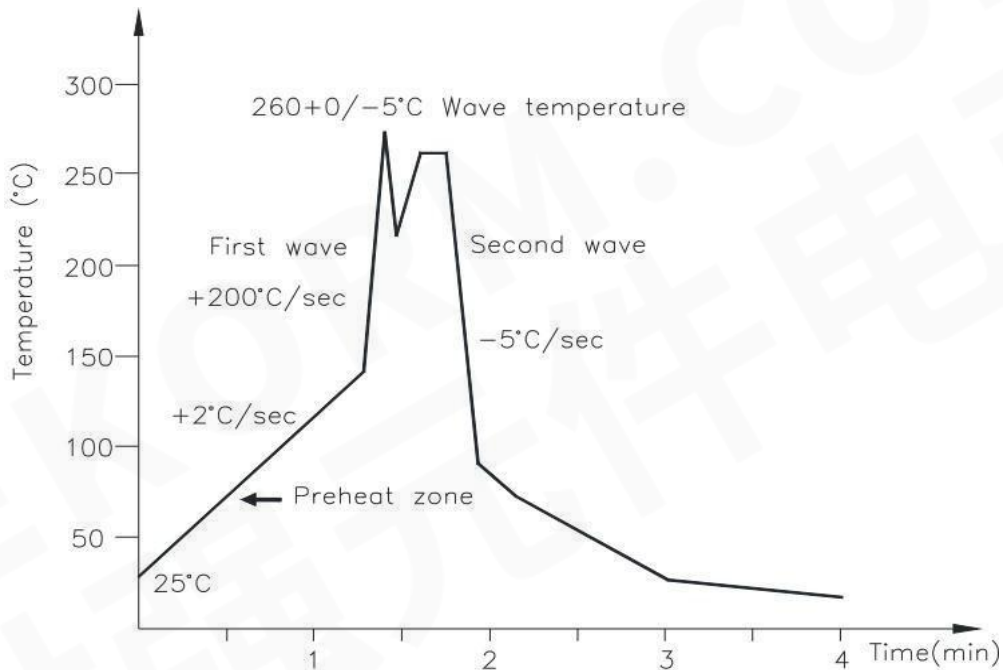
Profile item	Conditions
Preheat - Temperature Min (T Smin) - Temperature Max (T Smax) - Time (min to max) (ts)	150°C 200°C 90±30 sec
Soldering zone - Temperature (TL) - Time (t L)	217°C 60 sec
Peak Temperature	260°C
Peak Temperature time	20 sec
Ramp-up rate	3°C / sec max.
Ramp-down rate from peak temperature	3~6°C / sec
Reflow times	≤3



(3) Wave soldering (JEDEC22A111 compliant)

One time soldering is recommended within the condition of temperature.

Temperature	260+0/-5°C
Time	10 sec
Preheat temperature	5 to 140°C
Preheat time	30 to 80 sec



(4) Hand soldering by soldering iron

Allow single lead soldering in every single process. One time soldering is recommended.

Temperature	380+0/-5°C
Time	3 sec max

14.CHARACTERISTICS CURVES (TYPICAL PERFORMANCE)

Fig.1 Forward current vs Ambient temperature

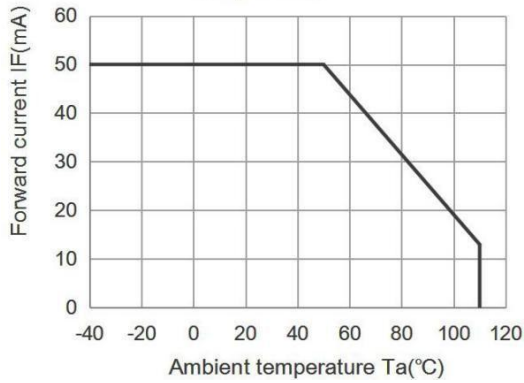


Fig.2 On-state current vs. Ambient temperature

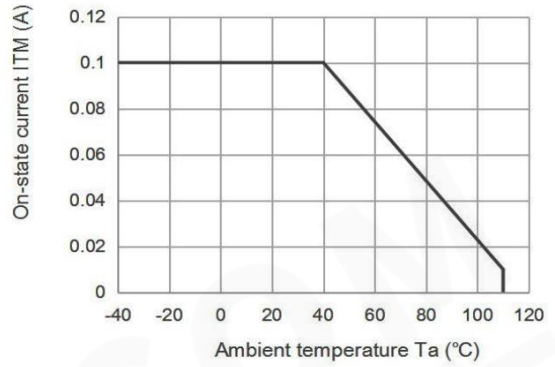


Fig.3 Minimum Trigger Current vs. Ambient temperature

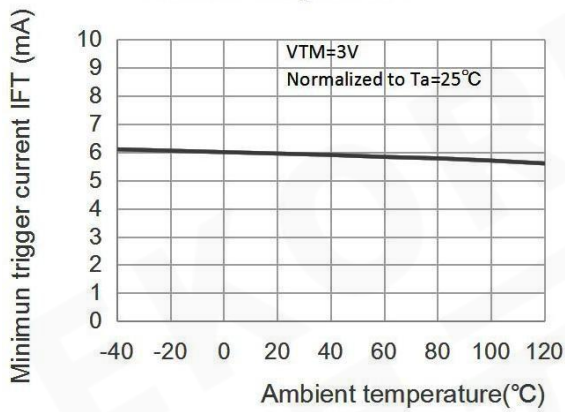


Fig.4 Forward current vs. Forward voltage

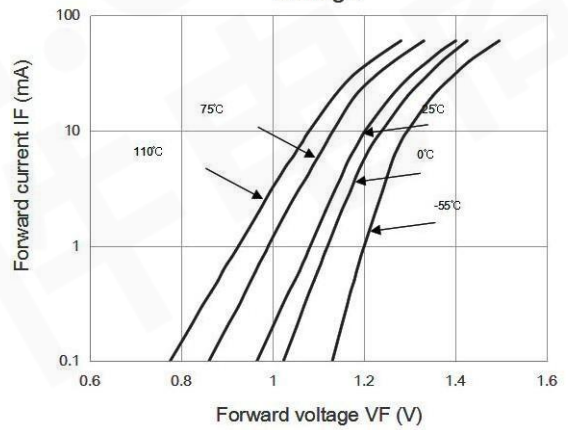


Fig.5 On-state voltage vs. Ambient temperature

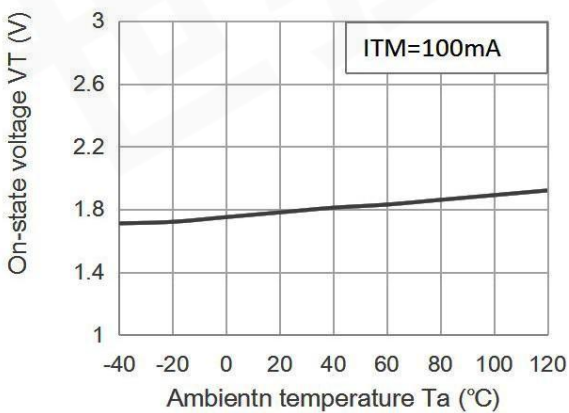


Fig.6 Holding current vs. Ambient temperature

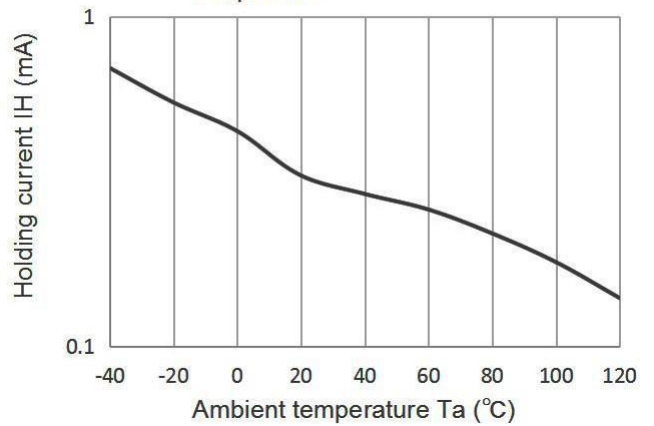


Fig.7 Repetitive peak off-state current vs. Temperature

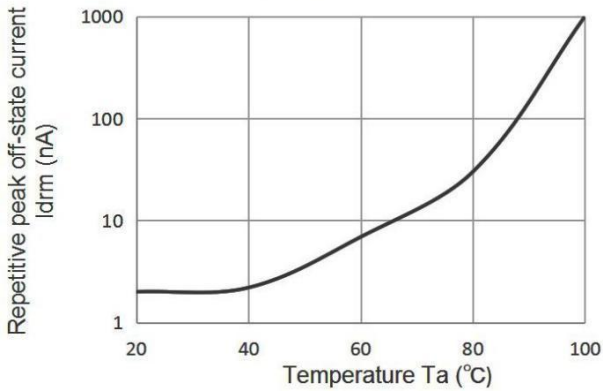


Fig.8 On-state current vs. On-state voltage

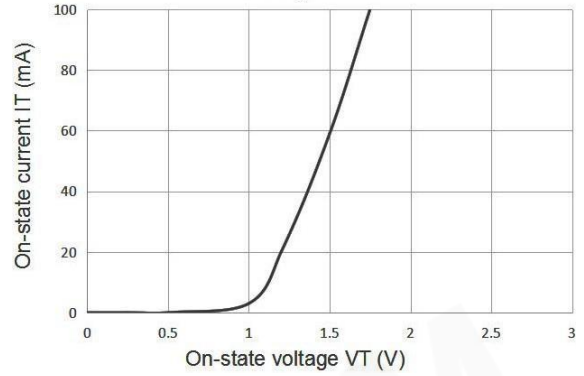


Fig9. Basic Operation Circuit Medium/High Power Triac Drive Circuit

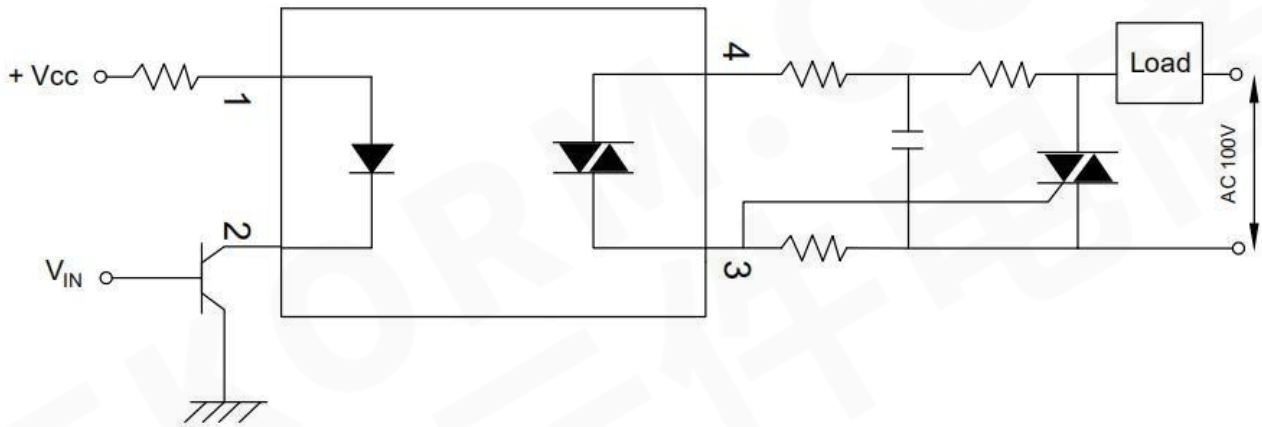
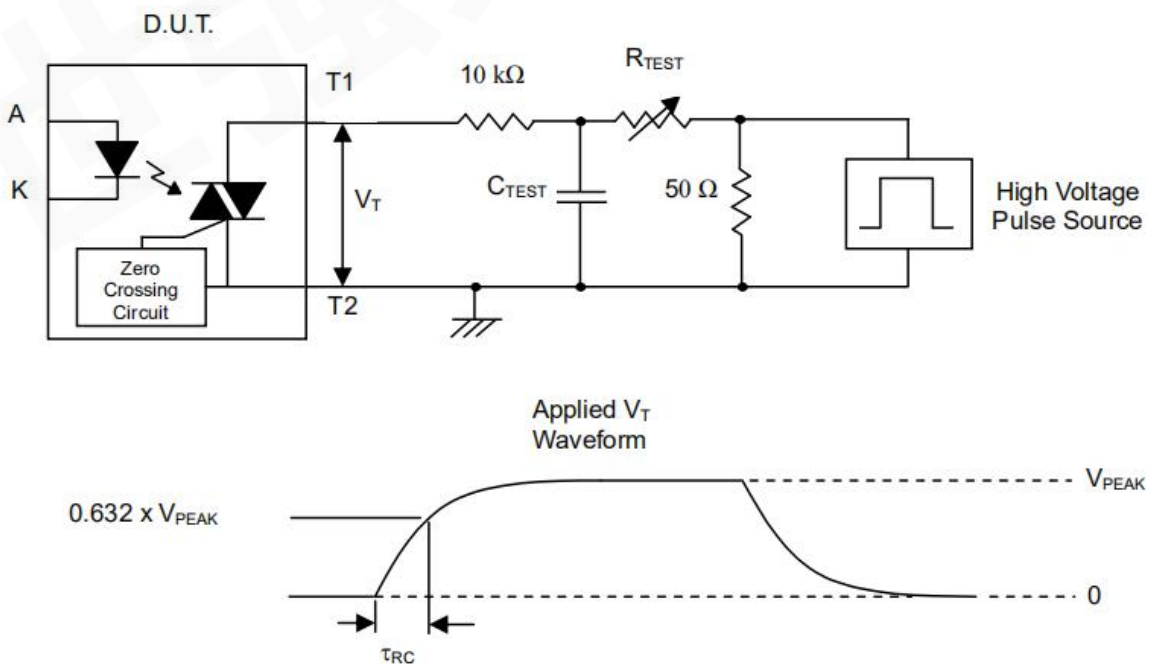


Fig10. Static dv/dt Test Circuit & Waveform



Measurement Method

The high voltage pulse is set to the required V_{PEAK} value and applied to the D.U.T. output side through the RC circuit above. LED current is not applied. The waveform V_T is monitored using a x100 scope probe. By varying R_{TEST} , the dv/dt (slope) is increased, until the D.U.T. is observed to trigger (waveform collapses). The dv/dt is then decreased until the D.U.T. stops triggering. At this point, τ_{RC} is recorded and the dv/dt calculated.

$$dv/dt = \frac{0.632 \times V_{PEAK}}{\tau_{RC}}$$

$$dv/dt = \frac{0.632 \times V_{PEAK}}{\tau_{RC}}$$

For example, $V_{PEAK} = 600V$ for EL306X series. The dv/dt value is calculated as follows:

$$dv/dt = \frac{0.63 \times 600}{\tau_{RC}} = \frac{378}{\tau_{RC}}$$

X-ON Electronics

Largest Supplier of Electrical and Electronic Components

Click to view similar products for [Triac & SCR Output Optocouplers](#) category:

Click to view products by [Orient](#) manufacturer:

Other Similar products are found below :

[ILD207-X001T](#) [ILD615-1X007T](#) [VO2223-X001](#) [VO4254H](#) [WPPCT-N1066A](#) [WPPCT-N1566A](#) [WPPCT-Z546D](#) [523170E](#) [VO2223A-X007T](#) [WPPCT-Z546A](#) [WPPCT-Z1046D](#) [WPPCT-Z1046A](#) [WPPCT-N566D](#) [WPPCT-N566A](#) [WPPCT-N1566D](#) [FODM3053V_NF098](#) [TLP3042SCF](#) [VO4258D](#) [VO4256D](#) [VO4158H-X017T](#) [TLP3083\(TP1,F](#) [MOC3071SM](#) [IL4116-X007](#) [VO0601-X001T](#) [TLP265J\(E\(T](#) [MOC3020XSM](#) [MOC3021X](#) [MOC3021XSM](#) [MOC3022X](#) [MOC3023SR2M](#) [MOC3041SM](#) [MOC3042XSM](#) [MOC3043SR2M](#) [MOC3043X](#) [MOC3043XSM](#) [MOC3052SM](#) [MOC3063X](#) [MOC3081X](#) [MOC3081XSM](#) [IS620XSM](#) [IS623X](#) [VO3062-X007T](#) [VO3063-X006](#) [PC3SG21YIZ](#) [MOC3020](#) [MOC3020X](#) [MOC3022](#) [MOC3022XSM](#) [MOC3023X](#) [MOC3023XSM](#)