

IES-1240

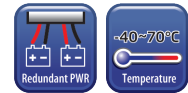


IES-1240

➤ Industrial 24-port unmanaged Ethernet switch with 24x10/100Base-T(X)

Features

- RJ-45 ports support Auto MDI/MDI-X switching function
- Provides Store-and-Forward switching architecture
- Provides 4.8Gbps Back-plane (Switching Fabric)
- Warning system by relay output
- Rigid IP-30 housing design
- DIN-Rail and wall mounting enabled

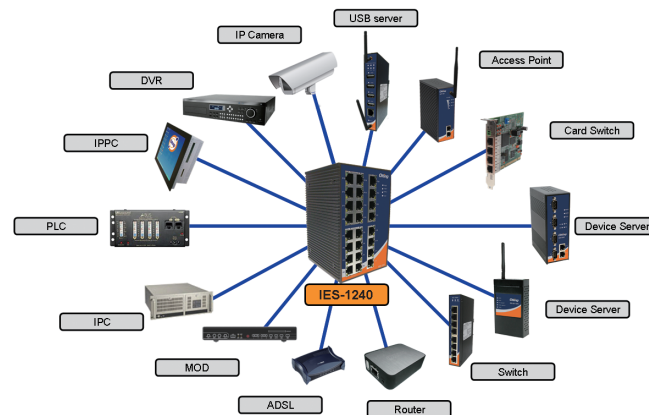


Introduction

IES-1240 is the unmanaged Ethernet switch with 24x10/100Base-T(X) port. IES-1240 support redundant power inputs, relay output alarm, and surge protection. The wide operating temperature range from -40°C to 70°C can satisfy most of operating environments. Especially, IES-1240 features dual different redundant DC power inputs, two DC power inputs are on terminal block to avoid any unexpected fails on power on. Thus, IES-1240 could guarantee a non-stop operation. Therefore, the switch is one of the most reliable choice for highly-unmanaged Ethernet application.

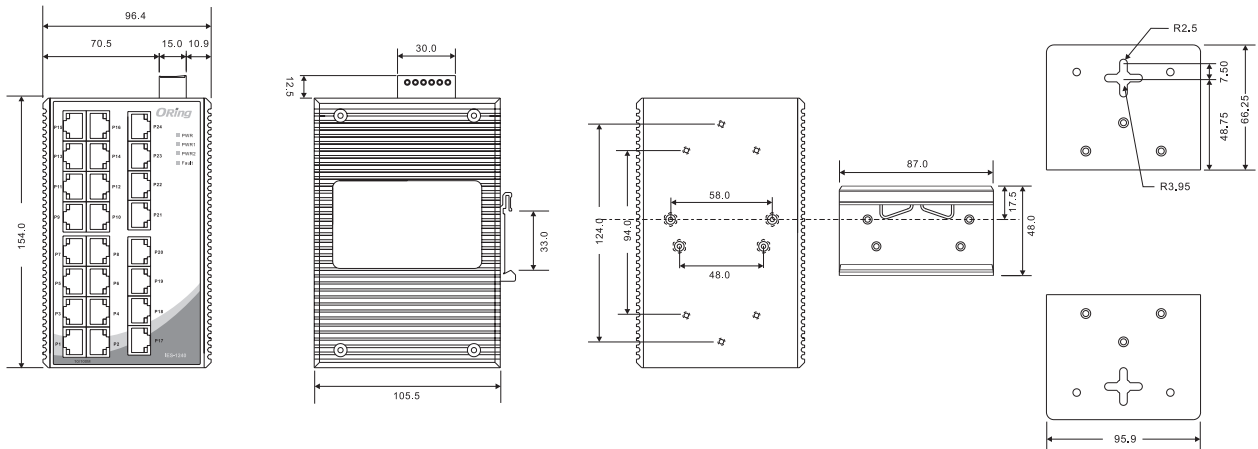
Practical Operation

IES-1240 is usually deployed for connecting several Ethernet devices, such like Ethernet I/O, IP-Camera, etc. The designs of rugged housing and wide operating temperature, range from $-40 \sim 70^{\circ}\text{C}$, makes IES-1240 reliably in any kinds of industrial applications.



Connections of Ethernet devices

Dimensions



(Unit=mm)

Specifications

ORing Switch Model	IES-1240
Physical Ports	
10/100 Base-T(X) Ports in RJ45 Auto MDI/MDIX	24
Technology	
Ethernet Standards	IEEE 802.3 for 10Base-T IEEE 802.3u for 100Base-TX IEEE 802.3x for Flow control
MAC Table	8192 MAC addresses
Priority Queues	4
Processing	Store-and-Forward
Switch Properties	Switching latency: 9 μs Switching bandwidth: 4.8Gbps
LED Indicators	
Power Indicator	Green : Power LED x 3
Fault Indicator	Amber : Indicates power failure occurred
10/100Base-T(X) RJ45 Port Indicator	Green for port Link/Act. Amber for Duplex/Collision
Fault Contact	
Relay	Relay output to carry capacity of 1A at 24VDC
Power	
Redundant Input Power	Dual DC inputs. 12 ~ 48VDC on 6-pin terminal block
Power Consumption (Typ.)	9.6 Watts
Overload Current Protection	Present
Reverse Polarity Protection	Present on terminal block

Physical Characteristics	
Enclosure	IP-30
Dimensions (W x D x H)	96.4(W)x108.5(D)x154(H) mm (3.8 x 4.27 x 6.06 inch)
Weight (g)	1052 g
Environmental	
Storage Temperature	-40 to 85°C (-40 to 185°F)
Operating Temperature	-40 to 70°C (-40 to 158°F)
Operating Humidity	5% to 95% Non-condensing
Regulatory Approvals	
EMI	FCC Part 15, CISPR (EN55022) class A
EMS	EN61000-4-2 (ESD), EN61000-4-3 (RS), EN61000-4-4 (EFT), EN61000-4-5 (Surge), EN61000-4-6 (CS), EN61000-4-8, EN61000-4-11
Shock	IEC60068-2-27
Free Fall	IEC60068-2-32
Vibration	IEC60068-2-6
Safety	EN60950-1
Warranty	5 years

Ordering Information

IES-1 **AA** **B**



Code Definition	10/100Base-T(X) Port Number	Additional Port Number
Option	- 24 : 24 ports	- 0 : 0 ports

Available Model	Model Name	Description
	IES-1240	Industrial 24-port unmanaged Ethernet switch with 24x10/100Base-T(X)

Packing List <ul style="list-style-type: none"> • IES-1240 • DIN-Rail Kit • Wall-mount Kit • Quick Installation Guide 	Optional Accessories (Can be purchased separately) <ul style="list-style-type: none"> • DR-45 series : 45 Watts DIN-Rail power supply • DR-75 series : 75 Watts DIN-Rail power supply • DR-120 series : 120 Watts DIN-Rail power supply • SDR-240-48, 240W DIN-Rail power supply • SDR-480-48, 480W DIN-Rail power supply
--	---

X-ON Electronics

Largest Supplier of Electrical and Electronic Components

Click to view similar products for [Ethernet Modules](#) category:

Click to view products by [ORing](#) manufacturer:

Other Similar products are found below :

[TDKEZW3](#) [V23993-USB1029A](#) [100-POE4](#) [I210T1BLK](#) [X520QDA1](#) [BCM84794A1KFSBG](#) [X520DA2OCP](#) [808-38157](#) [7506GX2](#) [TC](#)
[EXTENDER 2001](#) [ETH-2S](#) [105FX-SC-MDR](#) [110FX2-SC](#) [7000-P3201-P050150](#) [750-1515](#) [750-494](#) [750-495](#) [750-497](#) [750-501](#) [750-612](#)
[750-613](#) [750-627](#) [750-643](#) [750-940](#) [753-440](#) [753-540](#) [753-650/003-000](#) [852-1322](#) [852-1328](#) [852-1812](#) [852-1813](#) [852-1816](#) [LANTICK PE-](#)
[0-16](#) [LANTICK PE-16-0](#) [RBMTXLITE-L4X2.X.X.X.X.](#) [USR-TCP232-T2](#) [2017008](#) [EKI-7708E-4F-AE](#) [EKI-7708E-4FP-AE](#) [EKI-7708G-](#)
[4FP-AE](#) [2352903-2](#) [753-620](#) [EGU-0702-SFP-T](#) [EKI-2706G-1GFPI-BE](#) [SW-125](#) [SW-525](#) [SW-725](#) [7000-74712-4780030](#) [7000-74712-](#)
[4780060](#) [7000-74712-4780100](#) [7000-74712-4780150](#)