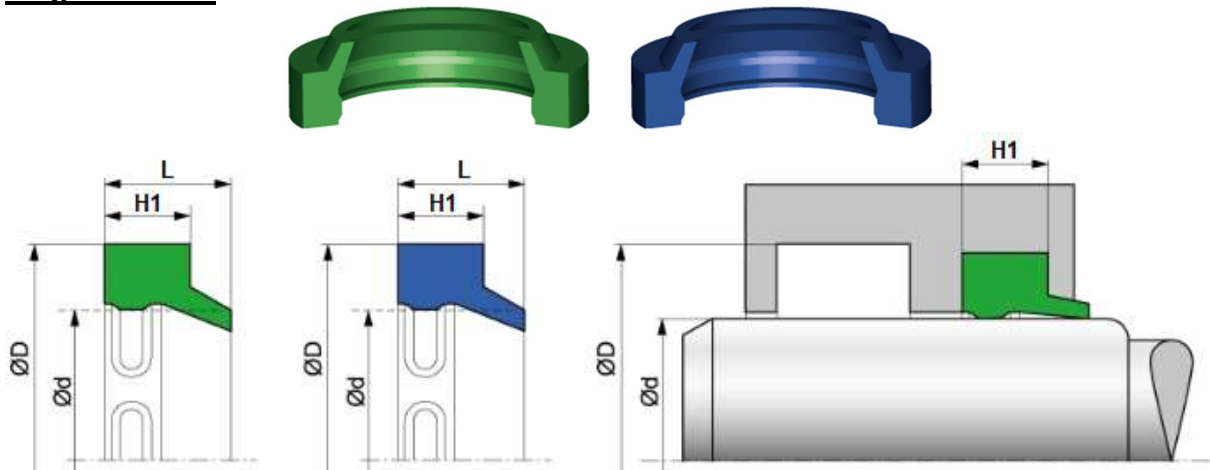




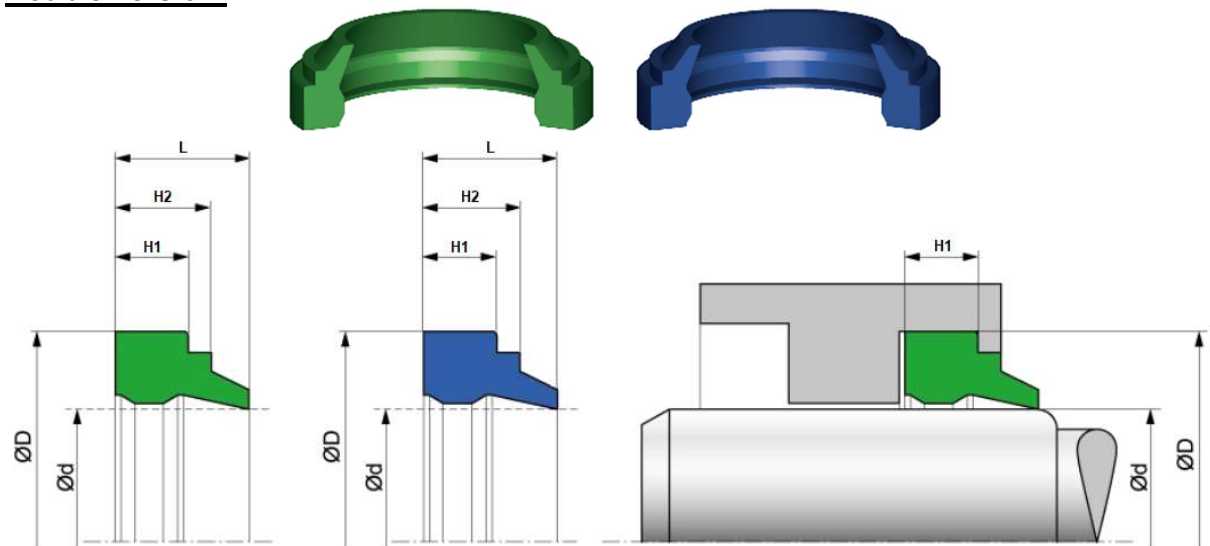
uszczelnienia techniczne

Wipers Z

Single version:



Double version:



Description:

Z-type scraper ring for scraping external dirt from reciprocating elements with double seating on the outer diameter. Use in hydraulic drives and control.

Material:

- NBR (acrylonitrile butadiene rubber), $-30^{\circ}\text{C} \div +100^{\circ}\text{C}$
- PU (polyurethane), $-30^{\circ}\text{C} \div +100^{\circ}\text{C}$

Working speed:

- $\leq 1,0 \text{ m/s}$



uszczelnienia techniczne

| Article | Gasket material | Working temperature | Version | Shore's hardness | Shaft diameter Φd [mm] | Outer diameter ΦD [mm] | Height H1 [mm] | Height H2 [mm] | External height L [mm] |
|-----------------|-----------------|---------------------|---------|------------------|------------------------------|------------------------------|----------------|----------------|------------------------|
| Z6x12x5/7N | NBR | -30...100°C | single | 70 | 6 | 12 | 5 | | 7 |
| Z10x16x3/5P | PU | -30...100°C | single | 70 | 10 | 16 | 3 | | 5 |
| Z10x16x5/7N | NBR | -30...100°C | single | 70 | 10 | 16 | 5 | | 7 |
| Z10x18x4/5/7P | PU | -30...100°C | double | 70 | 10 | 18 | 4 | 5 | 7 |
| Z10x18x5/7N | NBR | -30...100°C | single | 70 | 10 | 18 | 5 | | 7 |
| Z12x18x3/4/6P | PU | -30...100°C | double | 70 | 12 | 18 | 3 | 4 | 6 |
| Z12x20.7x5/7P | PU | -30...100°C | single | 70 | 12 | 20,7 | 5 | | 7 |
| Z12x20x4/5/7P | PU | -30...100°C | double | 70 | 12 | 20 | 4 | 5 | 7 |
| Z14x22x4/5/7P | PU | -30...100°C | double | 70 | 14 | 22 | 4 | 5 | 7 |
| Z15x23x4/5/7P | PU | -30...100°C | double | 70 | 15 | 23 | 4 | 5 | 7 |
| Z16x22x3/5N | NBR | -30...100°C | single | 70 | 16 | 22 | 3 | | 5 |
| Z16x24x4/5/7P | PU | -30...100°C | double | 70 | 16 | 24 | 4 | 5 | 7 |
| Z16x24x5/7N | NBR | -30...100°C | single | 70 | 16 | 24 | 5 | | 7 |
| Z16x26x5/7N | NBR | -30...100°C | single | 70 | 16 | 26 | 5 | | 7 |
| Z18x24x3/4/5P | PU | -30...100°C | double | 70 | 18 | 24 | 3 | 4 | 5 |
| Z18x26x4/5/7P | PU | -30...100°C | double | 70 | 18 | 26 | 4 | 5 | 7 |
| Z18x26.6x5.3/7N | NBR | -30...100°C | single | 90 | 18 | 26,6 | 5,3 | | 7 |
| Z20x28x4/5/7P | PU | -30...100°C | double | 70 | 20 | 28 | 4 | 5 | 7 |
| Z20x28.6x5.3/7P | PU | -30...100°C | single | 70 | 20 | 28,6 | 5,3 | | 7 |
| Z20x30x5/7N | NBR | -30...100°C | single | 70 | 20 | 30 | 5 | | 7 |
| Z22x30x4/7P | PU | -30...100°C | single | 70 | 22 | 30 | 4 | | 7 |
| Z22x30.6x5/7N | NBR | -30...100°C | single | 70 | 22 | 30,6 | 5 | | 7 |
| Z22x30.6x5/7P | PU | -30...100°C | single | 70 | 22 | 30,6 | 5 | | 7 |
| Z22x32x4/5/7N | NBR | -30...100°C | double | 70 | 22 | 32 | 4 | 5 | 7 |
| Z22x32x5/7N | NBR | -30...100°C | single | 70 | 22 | 32 | 5 | | 7 |
| Z24x32x4/5/7N | NBR | -30...100°C | double | 90 | 24 | 32 | 4 | 5 | 7 |
| Z24x32.6x5.3/7N | NBR | -30...100°C | single | 90 | 24 | 32,6 | 5,3 | | 7 |
| Z25x33x4/5/7N | NBR | -30...100°C | double | 70 | 25 | 33 | 4 | 5 | 7 |
| Z25x33x5/7P | PU | -30...100°C | single | 70 | 25 | 33 | 5 | | 7 |
| Z25x35x4/5/7P | PU | -30...100°C | double | 70 | 25 | 35 | 4 | 5 | 7 |
| Z25x35x5/7N | NBR | -30...100°C | single | 70 | 25 | 35 | 5 | | 7 |
| Z28x36x4/7P | PU | -30...100°C | single | 70 | 28 | 36 | 4 | | 7 |
| Z28x36x5/7N | NBR | -30...100°C | single | 70 | 28 | 36 | 5 | | 7 |
| Z28x36x5/7P | PU | -30...100°C | single | 70 | 28 | 36 | 5 | | 7 |
| Z28.5x38.6x5/7N | NBR | -30...100°C | single | 88 | 28,5 | 38,6 | 5 | | 7 |
| Z30x38x5/7N | NBR | -30...100°C | single | 70 | 30 | 38 | 5 | | 7 |
| Z30x40x4/5/7N | NBR | -30...100°C | double | 70 | 30 | 40 | 4 | 5 | 7 |
| Z30x45x4/5/7P | PU | -30...100°C | double | 90 | 30 | 45 | 4 | 5 | 7 |
| Z30x45x5.3/8P | PU | -30...100°C | single | 90 | 30 | 45 | 5,3 | | 8 |
| Z32x40x4/5/7P | PU | -30...100°C | double | 70 | 32 | 40 | 4 | 5 | 7 |
| Z32x40.6x5.3/7P | PU | -30...100°C | single | 70 | 32 | 40,6 | 5,3 | | 7 |
| Z32x45x5/7P | PU | -30...100°C | single | 70 | 32 | 45 | 5 | | 7 |
| Z33x42x5.3/7P | PU | -30...100°C | single | 92 | 33 | 42 | 5,3 | | 7 |
| Z35x43x4/5/7P | PU | -30...100°C | double | 70 | 35 | 43 | 4 | 5 | 7 |
| Z35x43x5/7N | NBR | -30...100°C | single | 70 | 35 | 43 | 5 | | 7 |
| Z35x43.6x5.3/7P | PU | -30...100°C | single | 70 | 35 | 43,6 | 5,3 | | 7 |
| Z35x45x4/5/7P | PU | -30...100°C | double | 70 | 35 | 45 | 4 | 5 | 7 |
| Z35x45x5/7N | NBR | -30...100°C | single | 70 | 35 | 45 | 5 | | 7 |
| Z36x44x4/7P | PU | -30...100°C | single | 70 | 36 | 44 | 4 | | 7 |
| Z36x44x5/7N | NBR | -30...100°C | single | 70 | 36 | 44 | 5 | | 7 |
| Z36x44.6x5.3/7P | PU | -30...100°C | single | 70 | 36 | 44,6 | 5,3 | | 7 |
| Z38x46x4/5/7P | PU | -30...100°C | double | 70 | 38 | 46 | 4 | 5 | 7 |
| Z38x46.6x5.3/7N | NBR | -30...100°C | single | 70 | 38 | 46,6 | 5,3 | | 7 |
| Z40x48x4/5/7P | PU | -30...100°C | double | 70 | 40 | 48 | 4 | 5 | 7 |
| Z40x48x5/7N | NBR | -30...100°C | single | 70 | 40 | 48 | 5 | | 7 |
| Z40x48.6x5.3/7P | PU | -30...100°C | single | 70 | 40 | 48,6 | 5,3 | | 7 |
| Z40x50x4/5/7P | PU | -30...100°C | double | 70 | 40 | 50 | 4 | 5 | 7 |
| Z40x50.6x5.3/7P | PU | -30...100°C | single | 70 | 40 | 50,6 | 5,3 | | 7 |
| Z40x52x5/8P | PU | -30...100°C | single | 70 | 40 | 52 | 5 | | 8 |
| Z42x50.6x5.3/7N | NBR | -30...100°C | single | 70 | 42 | 50,6 | 5,3 | | 7 |
| Z45x53.6x5.3/7P | PU | -30...100°C | single | 70 | 45 | 53,6 | 5,3 | | 7 |
| Z45x55.6x5.3/7P | PU | -30...100°C | single | 70 | 45 | 55,6 | 5,3 | | 7 |
| Z48x56x4/5/7N | NBR | -30...100°C | double | 70 | 48 | 56 | 4 | 5 | 7 |
| Z48x58x5/7P | PU | -30...100°C | single | 70 | 48 | 58 | 5 | | 7 |
| Z50x58x4/5/7P | PU | -30...100°C | double | 70 | 50 | 58 | 4 | 5 | 7 |
| Z50x60.6x5.3/7P | PU | -30...100°C | single | 70 | 50 | 60,6 | 5,3 | | 7 |



uszczelnienia techniczne

| Article | Gasket material | Working temperature | Version | Shore's hardness | Shaft diameter Φd [mm] | Outer diameter ΦD [mm] | Height H1 [mm] | Height H2 [mm] | External height L [mm] |
|--------------------|-----------------|---------------------|---------|------------------|------------------------------|------------------------------|----------------|----------------|------------------------|
| Z54x62x4/5/7N | NBR | -30...100°C | double | 70 | 54 | 62 | 4 | 5 | 7 |
| Z55x63x4/5/7P | PU | -30...100°C | double | 70 | 55 | 63 | 4 | 5 | 7 |
| Z55x63.6x5.3/7P | PU | -30...100°C | single | 70 | 55 | 63,6 | 5,3 | | 7 |
| Z55x65.6x5.3/7P | PU | -30...100°C | single | 70 | 55 | 65,6 | 5,3 | | 7 |
| Z56x63x5/7N | NBR | -30...100°C | single | 70 | 56 | 63 | 5 | | 7 |
| Z56x64x4/5/7P | PU | -30...100°C | double | 70 | 56 | 64 | 4 | 5 | 7 |
| Z56x64.6x5/7P | PU | -30...100°C | single | 70 | 56 | 64,6 | 5 | | 7 |
| Z56x66.6x5/7P | PU | -30...100°C | single | 70 | 56 | 66,6 | 5 | | 7 |
| Z60x68.6x5/7P | PU | -30...100°C | single | 70 | 60 | 68,6 | 5 | | 7 |
| Z60x70x5/7P | PU | -30...100°C | single | 70 | 60 | 70 | 5 | | 7 |
| Z60x70.3x7/10N | NBR | -30...100°C | single | 70 | 60 | 70,3 | 7 | | 10 |
| Z62x70x4/5/7P | PU | -30...100°C | double | 70 | 62 | 70 | 4 | 5 | 7 |
| Z63x71x4/5/7N | NBR | -30...100°C | double | 70 | 63 | 71 | 4 | 5 | 7 |
| Z63x71.6x5/7P | PU | -30...100°C | single | 70 | 63 | 71,6 | 5 | | 7 |
| Z63x73x5/7P | PU | -30...100°C | single | 70 | 63 | 73 | 5 | | 7 |
| Z63x75x7/10N | NBR | -30...100°C | single | 90 | 63 | 75 | 7 | | 10 |
| Z63x77x5/7N | NBR | -30...100°C | single | 70 | 63 | 77 | 5 | | 7 |
| Z63.3x76.1x6.3/9N | NBR | -30...100°C | single | 90 | 63,3 | 76,1 | 6,3 | | 9 |
| Z65x73x4/5/7P | PU | -30...100°C | double | 90 | 65 | 73 | 4 | 5 | 7 |
| Z65x73.6x5/7P | PU | -30...100°C | single | 70 | 65 | 73,6 | 5 | | 7 |
| Z65x75.6x5/7P | PU | -30...100°C | single | 70 | 65 | 75,6 | 5 | | 7 |
| Z68x76x4/5/7N | NBR | -30...100°C | double | 70 | 68 | 76 | 4 | 5 | 7 |
| Z69.80x78x7/10N | NBR | -30...100°C | single | 70 | 69,8 | 78 | 7 | | 10 |
| Z70x78x4/5/7N | NBR | -30...100°C | double | 90 | 70 | 78 | 4 | 5 | 7 |
| Z70x78.6x5/7P | PU | -30...100°C | single | 70 | 70 | 78,6 | 5 | | 7 |
| Z70x80x5/7P | PU | -30...100°C | single | 70 | 70 | 80 | 5 | | 7 |
| Z70x80.6x5.3/7P | PU | -30...100°C | single | 70 | 70 | 80,6 | 5,3 | | 7 |
| Z70x85x7/10N | NBR | -30...100°C | single | 88 | 70 | 85 | 7 | | 10 |
| Z75x83x4/5/7P | PU | -30...100°C | double | 70 | 75 | 83 | 4 | 5 | 7 |
| Z75x83.2x5/7P | PU | -30...100°C | single | 70 | 75 | 83,2 | 5 | | 7 |
| Z75x85.6x5/7P | PU | -30...100°C | single | 70 | 75 | 85,6 | 5 | | 7 |
| Z75x88.6x7/10N | NBR | -30...100°C | single | 70 | 75 | 88,6 | 7 | | 10 |
| Z80x88x4/5/7P | PU | -30...100°C | double | 70 | 80 | 88 | 4 | 5 | 7 |
| Z80x88.6x5/7P | PU | -30...100°C | single | 70 | 80 | 88,6 | 5 | | 7 |
| Z80x92.2x7/12P | PU | -30...100°C | single | 70 | 80 | 92,2 | 7 | | 12 |
| Z85x93.6x5/7N | NBR | -30...100°C | single | 70 | 85 | 93,6 | 5 | | 7 |
| Z85x95x5/7N | NBR | -30...100°C | single | 70 | 85 | 95 | 5 | | 7 |
| Z90x98x5/7N | NBR | -30...100°C | single | 70 | 90 | 98 | 5 | | 7 |
| Z90x100x5/7N | NBR | -30...100°C | single | 70 | 90 | 100 | 5 | | 7 |
| Z90x102x7/10N | NBR | -30...100°C | single | 88 | 90 | 102 | 7 | | 10 |
| Z91.8x100x7/10N | NBR | -30...100°C | single | 70 | 91,8 | 100 | 7 | | 10 |
| Z92x102x7/10N | NBR | -30...100°C | single | 88 | 92 | 102 | 7 | | 10 |
| Z95x105x7/10N | NBR | -30...100°C | single | 90 | 95 | 105 | 7 | | 10 |
| Z100x110x7/10N | NBR | -30...100°C | single | 70 | 100 | 110 | 7 | | 10 |
| Z100x112.2x7/12P | PU | -30...100°C | single | 70 | 100 | 112,2 | 7 | | 12 |
| Z100x112x7/10N | NBR | -30...100°C | single | 88 | 100 | 112 | 7 | | 10 |
| Z105x113x5/7P | PU | -30...100°C | single | 70 | 105 | 113 | 5 | | 7 |
| Z107x115x5/7N | NBR | -30...100°C | single | 70 | 107 | 115 | 5 | | 7 |
| Z110x122x7/10N | NBR | -30...100°C | single | 70 | 110 | 122 | 7 | | 10 |
| Z110x122.2x7/12P | PU | -30...100°C | single | 92 | 110 | 122,2 | 7 | | 12 |
| Z110x125x7/10N | NBR | -30...100°C | single | 88 | 110 | 125 | 7 | | 10 |
| Z120x128.6x5/7N | NBR | -30...100°C | single | 88 | 120 | 128,6 | 5 | | 7 |
| Z120x130x5/7P | PU | -30...100°C | single | 92 | 120 | 130 | 5 | | 7 |
| Z120x132.2x7.2/12N | NBR | -30...100°C | single | 70 | 120 | 132,2 | 7,2 | | 12 |
| Z130x142x5.5/7/10N | NBR | -30...100°C | double | 70 | 130 | 142 | 5,5 | 7 | 10 |
| Z135x147x7/12P | PU | -30...100°C | single | 70 | 135 | 147 | 7 | | 12 |
| Z135.8x144x7/10N | NBR | -30...100°C | single | 88 | 135,8 | 144 | 7 | | 10 |
| Z136x146x7/10N | NBR | -30...100°C | single | 88 | 136 | 146 | 7 | | 10 |
| Z140x148.6x5/7N | NBR | -30...100°C | single | 70 | 140 | 148,6 | 5 | | 7 |
| Z140x152x7/10N | NBR | -30...100°C | single | 70 | 140 | 152 | 7 | | 10 |
| Z145x153x5/7N | NBR | -30...100°C | single | 70 | 145 | 153 | 5 | | 7 |
| Z145x153.6x5/7P | PU | -30...100°C | single | 70 | 145 | 153,6 | 5 | | 7 |

X-ON Electronics

Largest Supplier of Electrical and Electronic Components

Click to view similar products for [Conduit Fittings & Accessories](#) category:

Click to view products by [ORING](#) manufacturer:

Other Similar products are found below :

[M3231GAB](#) [M3231GAC](#) [M3231GAE](#) [M3231GL](#) [M3231GT](#) [VC-937-16/RED](#) [VC-562-16/RED](#) [VC-1125-16/RED](#) [DM0240-1/2A](#) [3408B](#)
[G6002](#) [M4340GAE](#) [C2016-P](#) [C2012-P](#) [3407B](#) [1660-P](#) [561-87BG11BLK](#) [561-75BG11B](#) [1.533.1201.50](#) [1.533.1601.51](#) [1.533.2001.51](#)
[1.533.4001.50](#) [1.533.5001.50](#) [BVNV-P428](#) [BVBV-P366](#) [2276](#) [2663-P](#) [3405B](#) [C2070-P](#) [3582V](#) [2643-P](#) [4975](#) [2644-P](#) [2955](#) [M50](#) [2404-P](#)
[C2008-P](#) [2723-P](#) [2291](#) [2133-P](#) [3048F](#) [VC12516](#) [RC156-0500](#) [DM0523-1/2A](#) [1035A](#) [DMS0250-1A](#) [DMS0313-1A](#) [1040A](#) [1050A](#) [R1/8A](#)
[DMPC0490-1/2A](#)