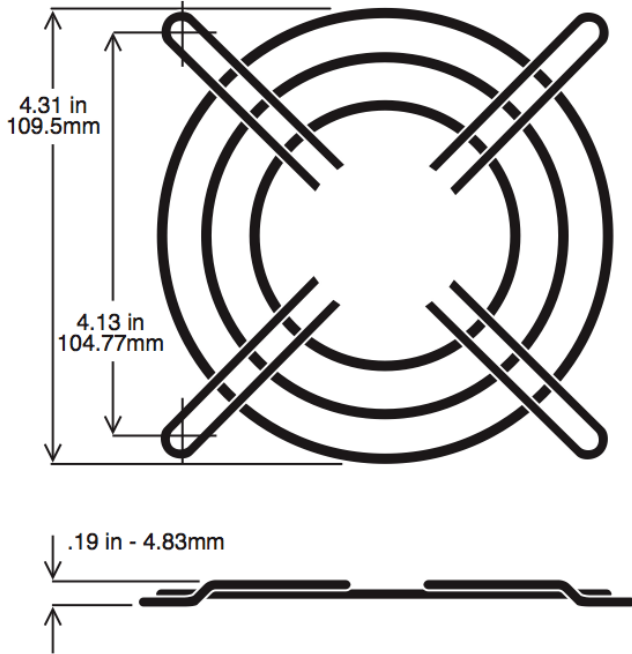


G109 Series

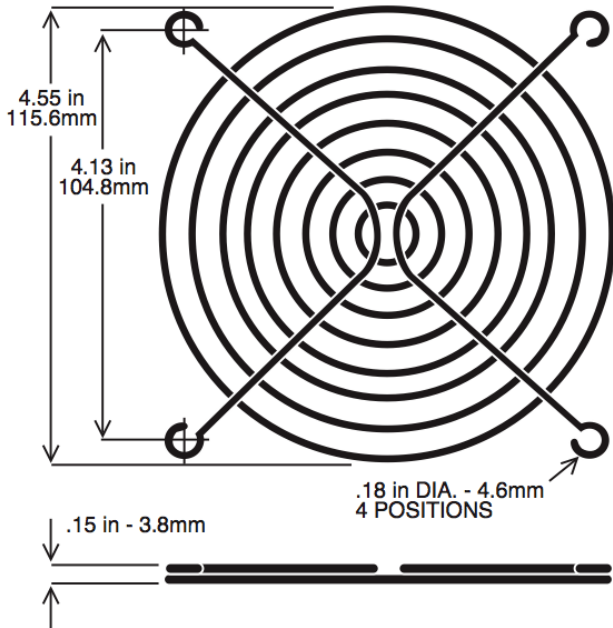


Fan Guards for 120mm Fan



Model Number	G109-3A
Ring Diameter	1.6mm
Rib Diameter	1.6mm
Finish	Bright Nickel Chrome

Model Number	G109-3A/PK
Description	10-Pack G109-3A Guards, Boxed



Model Number	G109-15-1
Ring Diameter	1.8mm
Rib Diameter	1.8mm
Finish	Bright Nickel Chrome

Model Number	G109-15-1/PK
Description	10-Pack G109-15-1 Guards, Boxed

Model Number	G109-15B-1
Ring Diameter	1.8mm
Rib Diameter	2.3mm
Finish	Black

Model Number	G109-15B-1/PK
Description	10-Pack G109-15B-1 Guards, Boxed

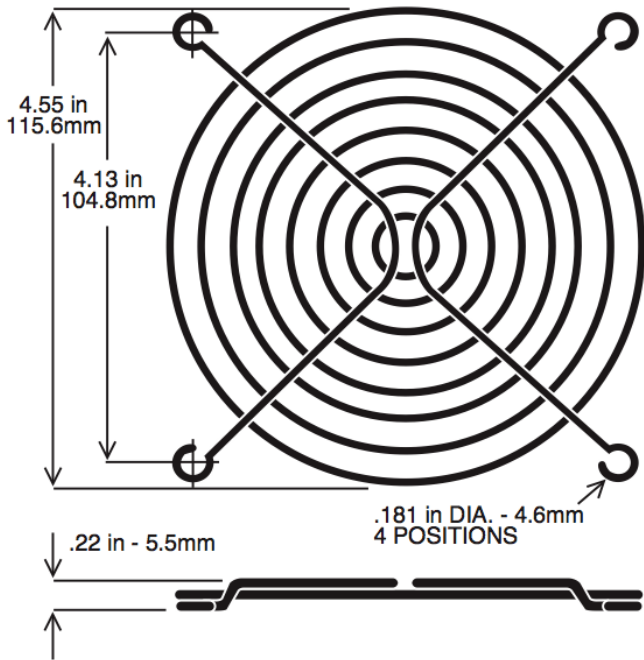
Notes for G109 Series

1. Material: C1008, Bright Basic WIRE
2. Weld Joints to Withstand 88lbs Pull Force
3. General Tolerance Unless Noted $\pm 0.5\text{mm}$
4. Part Meets 6.35mm Plug Gauge Test

G109 Series



Fan Guards for 120mm Fan

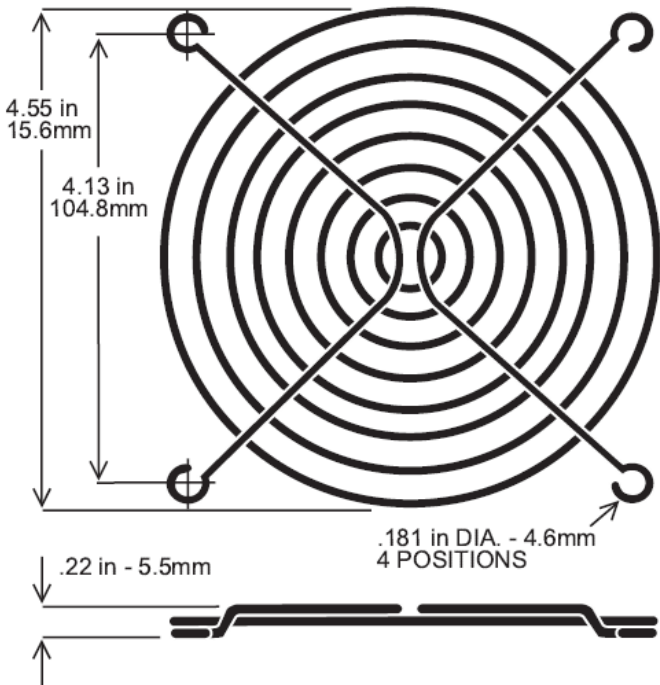


Model Number	G109-15A
Ring Diameter	1.8mm
Rib Diameter	1.8mm
Finish	Bright Nickel Chrome

Model Number	G109-15A/PK
Description	10-Pack G109-15A Guards, Boxed

Model Number	G109-15AB
Ring Diameter	1.8mm
Rib Diameter	1.8mm
Finish	Black

Model Number	G109-15AB/PK
Description	10-Pack G109-15AB Guards, Boxed



Model Number	G109-15SS
Ring Diameter	1.8mm
Rib Diameter	1.8mm
Finish	Stainless Steel

Model Number	G109-15SS/PK
Description	10-Pack G109-15SS Guards, Boxed

Notes for G109 Series

1. Material: C1008, Bright Basic WIRE
2. Weld Joints to Withstand 88lbs Pull Force
3. General Tolerance Unless Noted $\pm 0.5\text{mm}$
4. Part Meets 6.35mm Plug Gauge Test

X-ON Electronics

Largest Supplier of Electrical and Electronic Components

Click to view similar products for [Fan Accessories](#) category:

Click to view products by [Orion](#) manufacturer:

Other Similar products are found below :

[LZ31](#) [LZ32P-1](#) [63070-2-4013](#) [64442-1-7612](#) [71882-2-4053](#) [73816-2-3634](#) [854589-1](#) [95778-1-5171](#) [99485901](#) [1247-4-6254](#) [RF119](#) [2151-4-7320](#) [27453.32262](#) [95779-1-5171](#) [9614-2-4013](#) [99485906](#) [F92-B](#) [FG92-W2](#) [2170-4-7320](#) [27453.32241](#) [R88ACPU001M1](#) [R88ACPU001M2](#) [31570-2-4013](#) [LZ215](#) [LZ22-2](#) [LZ24-1](#) [LZ24B](#) [LZ30-9](#) [450-20-0021](#) [450-20-0025](#) [525-00-0009](#) [450-20-0017](#) [450-20-0020](#) [04.846.1353.0](#) [04.846.1453.0](#) [055032](#) [08121](#) [08188](#) [08195](#) [08196](#) [09576-2-4013](#) [54476-2-4013](#) [71883-2-4053](#) [52545-2-4037](#) [63071-2-4013](#) [52544-2-4037](#) [64445-1-7612](#) [66786-4-7320](#) [88601-2-2929](#) [08164](#)