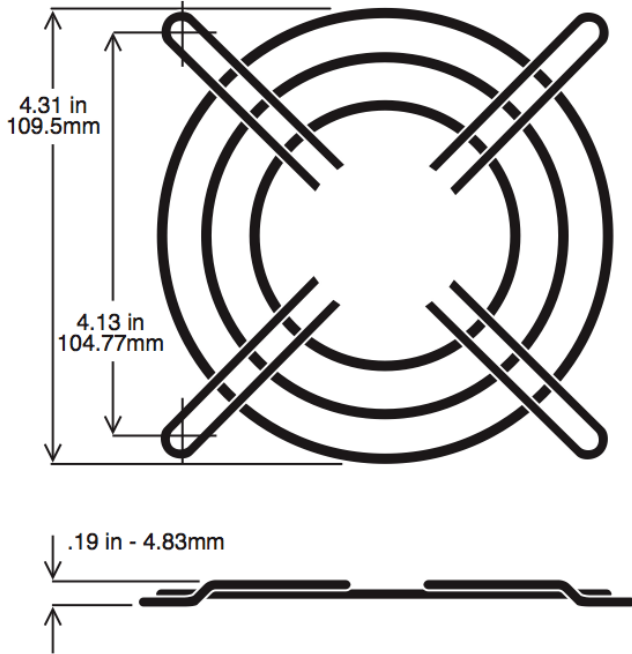


# G109 Series

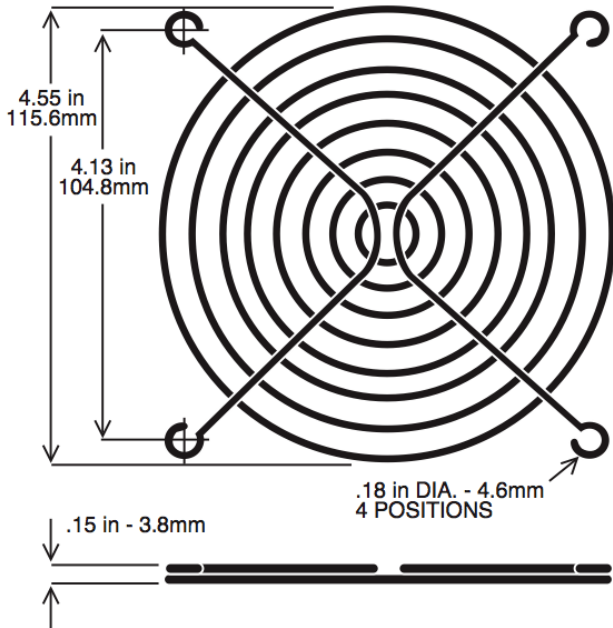


## Fan Guards for 120mm Fan



Model Number	G109-3A
Ring Diameter	1.6mm
Rib Diameter	1.6mm
Finish	Bright Nickel Chrome

Model Number	G109-3A/PK
Description	10-Pack G109-3A Guards, Boxed



Model Number	G109-15-1
Ring Diameter	1.8mm
Rib Diameter	1.8mm
Finish	Bright Nickel Chrome

Model Number	G109-15-1/PK
Description	10-Pack G109-15-1 Guards, Boxed

Model Number	G109-15B-1
Ring Diameter	1.8mm
Rib Diameter	2.3mm
Finish	Black

Model Number	G109-15B-1/PK
Description	10-Pack G109-15B-1 Guards, Boxed

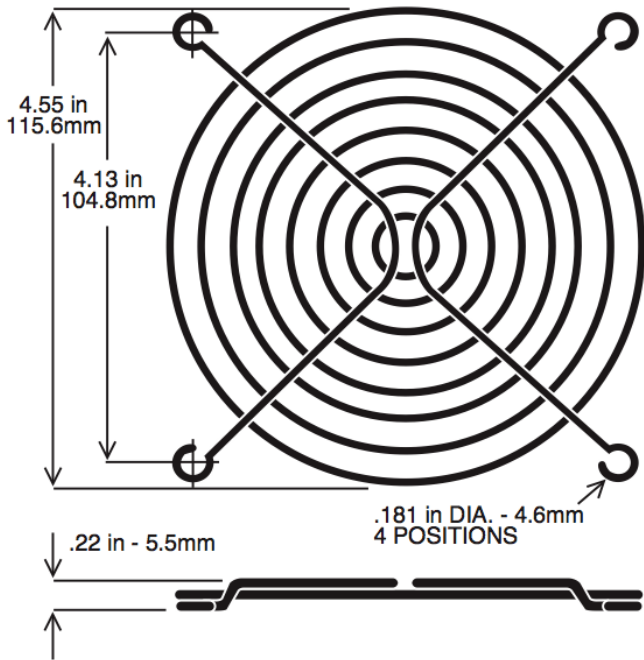
### Notes for G109 Series

1. Material: C1008, Bright Basic WIRE
2. Weld Joints to Withstand 88lbs Pull Force
3. General Tolerance Unless Noted  $\pm 0.5\text{mm}$
4. Part Meets 6.35mm Plug Gauge Test

# G109 Series



## Fan Guards for 120mm Fan

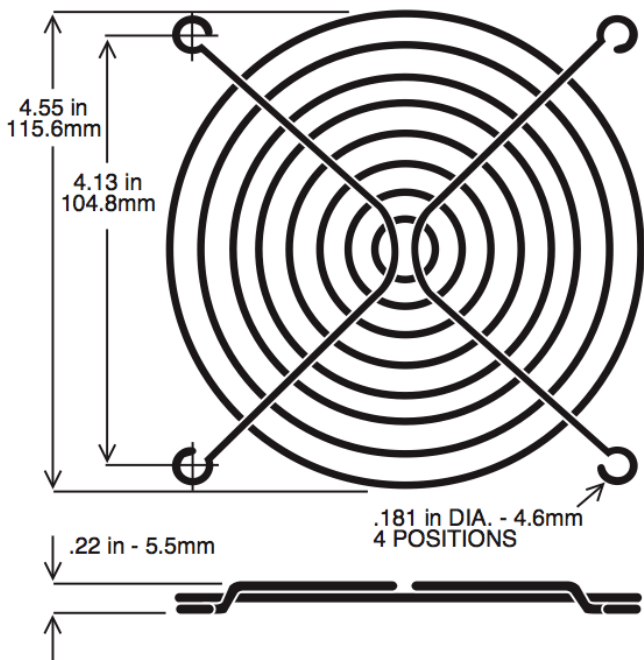


Model Number	G109-15A
Ring Diameter	1.8mm
Rib Diameter	1.8mm
Finish	Bright Nickel Chrome

Model Number	G109-15A/PK
Description	10-Pack G109-15A Guards, Boxed

Model Number	G109-15AB
Ring Diameter	1.8mm
Rib Diameter	1.8mm
Finish	Black

Model Number	G109-15AB/PK
Description	10-Pack G109-15AB Guards, Boxed



Model Number	G109-15SS
Ring Diameter	1.8mm
Rib Diameter	1.8mm
Finish	Stainless Steel

Model Number	G109-15SS/PK
Description	10-Pack G109-15SS Guards, Boxed

### Notes for G109 Series

1. Material: C1008, Bright Basic WIRE
2. Weld Joints to Withstand 88lbs Pull Force
3. General Tolerance Unless Noted  $\pm 0.5\text{mm}$
4. Part Meets 6.35mm Plug Gauge Test

## X-ON Electronics

Largest Supplier of Electrical and Electronic Components

*Click to view similar products for [Fan Accessories](#) category:*

*Click to view products by [Orion](#) manufacturer:*

Other Similar products are found below :

[LZ31](#) [63070-2-4013](#) [73816-2-3634](#) [854589-1](#) [95778-1-5171](#) [99485901](#) [RF119](#) [2151-4-7320](#) [KM36](#) [27453.32262](#) [95779-1-5171](#) [9614-2-4013](#) [99485906](#) [F92-B](#) [FK40-30](#) [FK80-45](#) [2103-4-7320](#) [2170-4-7320](#) [27453.32298](#) [R88ACPU001M1](#) [R88ACPU001M2](#) [LZ215](#) [LZ24-1](#) [LZ30-9](#) [LZ37-2](#) [450-20-0025](#) [525-00-0009](#) [KM38](#) [420-05-0276](#) [450-20-0017](#) [450-20-0020](#) [50824-4-1040](#) [055032](#) [08121](#) [08188](#) [08196](#) [09494-2-4039](#) [109-1102](#) [109-019H](#) [54476-2-4013](#) [71883-2-4053](#) [63071-2-4013](#) [52544-2-4037](#) [64445-1-7612](#) [73801-2-3634](#) [66786-4-7320](#) [88601-2-2929](#) [08164](#) [4013-2-4039](#) [73772-2-3634](#)