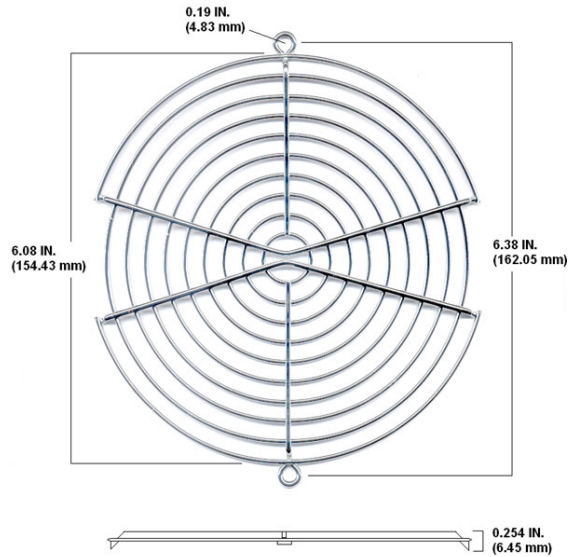


G172 Series



Fan Guards for 172mm Fan



PART NO. G172-10H

WIRE DIAMETER
RING DIA: 1.8mm
RIB DIA: 2.3mm
FINISH: BRIGHT NICKEL CHROME

PART NO. G172-10H/PK

10-PACK G172-10H GUARDS, BOXED

PART NO. G172-10HB

WIRE DIAMETER
RING DIA: 1.8mm
RIB DIA: 2.3mm
FINISH: BLACK

PART NO. G172-10HB/PK

10-PACK G172-10HB GUARDS, BOXED

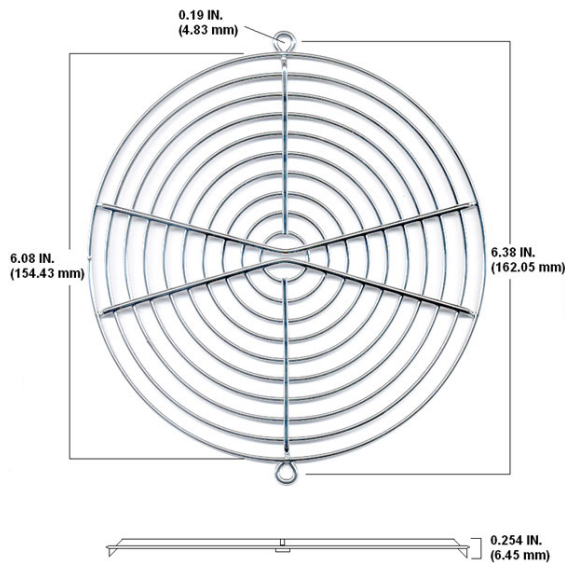
NOTES:

1. MATERIAL: C1008 BRIGHT BASIC WIRE

2. WELD JOINTS TO WITHSTAND 88LBS PULL FORCE

3. GENERAL TOLERANCE UNLESS NOTED +/- 0.5mm

4. PART MEETS 6.35mm PLUG GAUGE TEST



PART NO. G172-10HA

WIRE DIAMETER
RING DIA: 1.8mm
RIB DIA: 2.3mm
FINISH: BRIGHT NICKEL CHROME

PART NO. G172-10HA/PK

10-PACK G172-10H GUARDS, BOXED

PART NO. G172-10HAB

WIRE DIAMETER
RING DIA: 1.8mm
RIB DIA: 2.3mm
FINISH: BLACK

PART NO. G172-10HAB/PK

10-PACK G172-10HAB GUARDS, BOXED

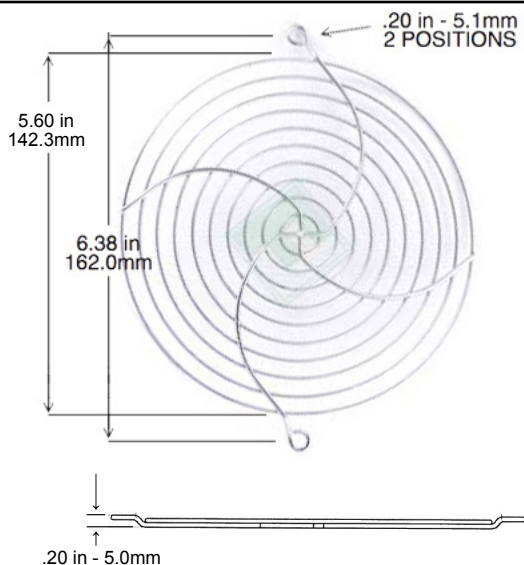
NOTES:

1. MATERIAL: C1008 BRIGHT BASIC WIRE

2. WELD JOINTS TO WITHSTAND 88LBS PULL FORCE

3. GENERAL TOLERANCE UNLESS NOTED +/- 0.5mm

4. PART MEETS 6.35mm PLUG GAUGE TEST



PART NO. G172-10LN

WIRE DIAMETER
RING DIA: 1.6mm
RIB DIA: 2.0mm
FINISH: BRIGHT NICKEL CHROME
LOWER NOISE

PART NO. G172-10LN/PK

10-PACK G172-10LN GUARDS, BOXED

NOTES:

1. MATERIAL: C1008 BRIGHT BASIC WIRE

2. WELD JOINTS TO WITHSTAND 70LBS PULL FORCE

3. GENERAL TOLERANCE UNLESS NOTED +/- 0.5mm

4. PART MEETS 6.35mm PLUG GAUGE TEST

X-ON Electronics

Largest Supplier of Electrical and Electronic Components

Click to view similar products for [Fan Accessories](#) category:

Click to view products by [Orion](#) manufacturer:

Other Similar products are found below :

[LZ31](#) [LZ32P-1](#) [63070-2-4013](#) [64442-1-7612](#) [71882-2-4053](#) [73816-2-3634](#) [854589-1](#) [95778-1-5171](#) [99485901](#) [1247-4-6254](#) [RF119](#) [2151-4-7320](#) [27453.32262](#) [95779-1-5171](#) [9614-2-4013](#) [99485906](#) [F92-B](#) [FG92-W2](#) [2170-4-7320](#) [27453.32241](#) [R88ACPU001M1](#) [R88ACPU001M2](#) [31570-2-4013](#) [LZ215](#) [LZ22-2](#) [LZ24-1](#) [LZ24B](#) [LZ30-9](#) [450-20-0021](#) [450-20-0025](#) [525-00-0009](#) [450-20-0017](#) [450-20-0020](#) [04.846.1353.0](#) [04.846.1453.0](#) [055032](#) [08121](#) [08188](#) [08195](#) [08196](#) [09576-2-4013](#) [54476-2-4013](#) [71883-2-4053](#) [52545-2-4037](#) [63071-2-4013](#) [52544-2-4037](#) [64445-1-7612](#) [66786-4-7320](#) [88601-2-2929](#) [08164](#)