

XLR HORIZONTAL PCB MOUNT CHASSIS CONNECTORS

5 PIN E SERIES

Io Audio Technologies' E Series XLR chassis connectors offer the most cost-effective solution for design applications where the connectors will be mounted to a printed circuit board.

SPECIFICATION

- Gender: **Male, Female**
- Capacitance Between Contacts: $\leq 2\text{pF}$
- Contact Resistance: $< 6\text{m}\Omega$
- Insulation Resistance: $\geq 1000\text{M}\Omega$
- Dielectric Strength: **1500V@60s**
- Lifetime: **> 1000 mating cycles**
- Wiring: **Horizontal PCB Mount**
- Grounding: **Separate Ground Pin**



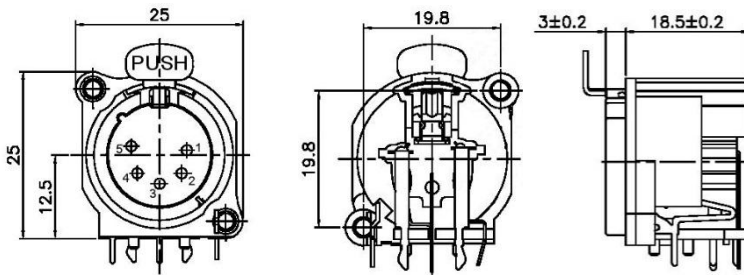
IO-XLR5-M-EH



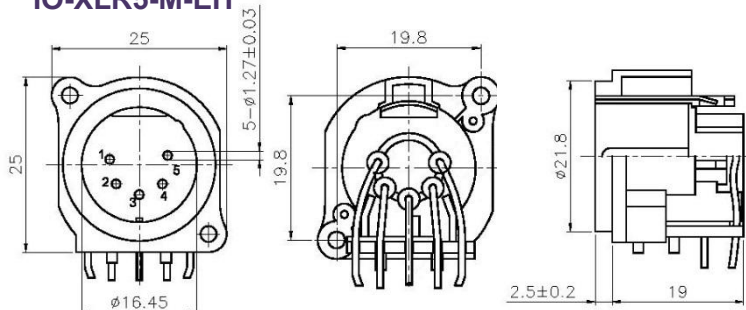
IO-XLR5-F-EH

Drawings

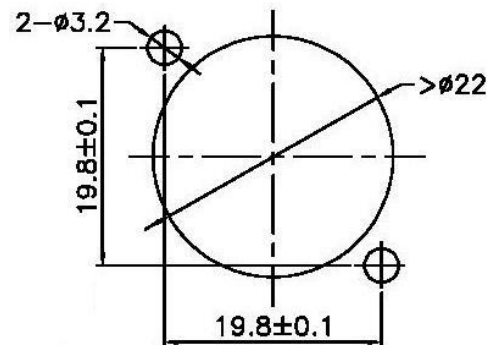
IO-XLR5-F-EH



IO-XLR5-M-EH



Panel Cutout



Product specifications may change without prior notification

Io Audio Technologies® is a registered trademark of Knight Electronics, Inc.

10557 Metric Dr. Dallas, TX 75243 | 214-340-0265 | 800-323-2439 | Fax: 214-340-5870 | www.ioaudiotكنولوجies.com

FEATURES

Io Audio Technologies' 5 pin XLR connectors feature a compact all plastic housing. Precision machined, one piece, gold plated contacts are standard. Available in 3 or 5 pin, Male or Female variations with options for vertical or horizontal PCB mounting, all with a separate nickel ground pin.

APPLICATIONS

The compact form factor of the E Series XLR Chassis Connectors makes these perfect for situations, where space saving is a priority or space for a connector, is limited.

INDUSTRIES

- Pro Audio Manufacturing
- Pro Video Manufacturing
- Electronics Hobbyists
- Pro Lighting Manufacturing
- Medical Instruments
- Communications

PART NUMBER BREAKDOWN:

IO-XLR5-M-EH
Series Identifier

IO-XLR5-M-EH
Number of Pins

IO-XLR5-M-M-EH
Gender

IO-XLR5-M-EH
Series Identifier

IO-XLR5-M-EH
H = Horizontal PCB Mount
V = Vertical PCB Mount

STANDARDS & CLASSIFICATIONS



Product specifications may change without prior notification

Io Audio Technologies® is a registered trademark of Knight Electronics, Inc.

10557 Metric Dr. Dallas, TX 75243 | 214-340-0265 | 800-323-2439 | Fax: 214-340-5870 | www.ioaudiotكنولوجies.com

X-ON Electronics

Largest Supplier of Electrical and Electronic Components

Click to view similar products for [XLR Connectors](#) category:

Click to view products by [Orion](#) manufacturer:

Other Similar products are found below :

[707-0300](#) [8800235](#) [91101181024](#) [91201231](#) [91214571](#) [A3F01](#) [A3M01](#) [QGP3F](#) [HA16PRQ-3SE\(71\)](#) [AA3FL](#) [AAA4FWZ](#) [AAA4MWZ](#)
[AC3-MIC](#) [AC4-MIC](#) [AC5FPZB](#) [AC6AFDZV](#) [AC7FDZB](#) [D4FB](#) [DE4MW](#) [DHNF-BAG](#) [E3MBAUSW](#) [NA2FP-UW](#) [NA3MP-UW](#)
[NC3FBHR1-0](#) [NC3FD-H-0](#) [NC3FK-V](#) [NC3FX-1](#) [NC3FXY-B](#) [NC3MDM3-H-B](#) [NC3MK-V](#) [NC3MXY](#) [NC4FD-LX-0](#) [NC5FX-HD-B](#)
[NC6FSXX-BAG](#) [NC6MD-LX-BAG](#) [NC6MSX-BAG](#) [91210071096](#) [SL05](#) [99.265.0400.0](#) [A3F04](#) [AC3FG](#) [AC3MMG](#) [AC4-FCP](#) [AC4FPZ](#)
[AQG4F](#) [2504FP](#) [30-498-2](#) [R6MZ](#) [CXX-15](#) [3FD-H-I](#)