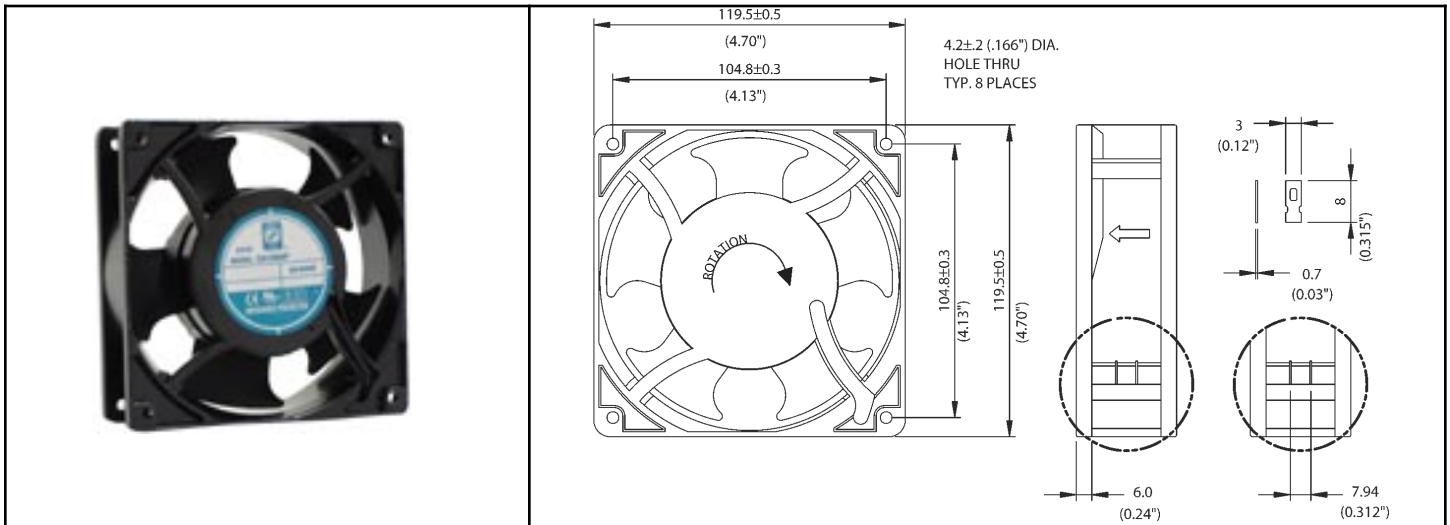


OA109 Series



AC Fan - 115V, 230V, Dual Voltage
120x38mm (4.7"x 1.5")



| | | | |
|-----------------------|---|--|--|
| Frame | Diecast Aluminum | <u>Operating Temperature</u> Ball Bearing -20C ~ +80C Sleeve Bearing -10C ~ +50C | |
| Impeller | PBT, UL94V-O plastic | | |
| Connection | 2x 300mm Lead wires or terminals | <u>Life Expectancy</u> Ball Bearing 60,000 hours (L10 at 40C) Sleeve Bearing 30,000 hours (L10 at 40C) | |
| Motor | AC shaded pole, impedance and thermally protected | | |
| Bearing System | Dual ball or Sleeve | <u>Dual Voltage</u> Fans can be configured to run on 115V or 230V. Connection via 4x leads | |
| Insulation Resistance | 10M ohm between leadwire and frame (500VDC) | | |
| Dielectric Strength | 1 min at 1500 VAC, 50/60Hz | | |

| Model Number | Speed (RPM) | Airflow (CFM) | Noise (dB) | Volts AC | Voltage Range | Watts | Max. Static Pressure (\"H2O) |
|--------------------|-------------|---------------|------------|----------|---------------|-------|------------------------------|
| OA109AP-11-1* | 3000 | 110 | 37 | 115 | 80~130 | 15 | .28 |
| OA109AP-11-2* | 2300 | 71 | 30 | 115 | 80~130 | 11 | .24 |
| OA109AP-11-3* | 1600 | 51 | 25 | 115 | 80~130 | 8 | .15 |
| OA109AP-22-1* | 3000 | 110 | 37 | 230 | 160~260 | 15 | .28 |
| OA109AP-22-2* | 2300 | 71 | 30 | 230 | 160~260 | 11 | .24 |
| OA109AP-22-3* | 1600 | 51 | 25 | 230 | 160~260 | 8 | .15 |
| OA109AP-11/22-1W** | 3000 | 110 | 37 | 115/230 | 80~260 | 15 | .28 |
| OA109AP-11/22-2W** | 2300 | 71 | 30 | 115/230 | 80~260 | 11 | .24 |
| OA109AP-11/22-3W** | 1600 | 51 | 25 | 115/230 | 80~260 | 8 | .15 |

* Indicate "TB" (Terminal Ball Bearing), "WB" (12" Wire Leads, Ball Bearing), "TS" (Terminal, Sleeve Bearing), "WS" (12" Wire Leads, Sleeve Bearing)
 ** Indicate "B" (Ball Bearing) or "S" (Sleeve Bearing)

X-ON Electronics

Largest Supplier of Electrical and Electronic Components

Click to view similar products for [AC Fans](#) category:

Click to view products by [Orion](#) manufacturer:

Other Similar products are found below :

[01803.0-00](#) [01870.0-30](#) [01872.0-30](#) [01874.0-30](#) [01883.0-00](#) [01884.0-00](#) [01925.0-00](#) [08025MB-A1L-AA-00](#) [08038FB-B3K-EA-00](#) [109-043UL](#) [109-130](#) [109-133](#) [109-150](#) [109S005UL](#) [109S008UL](#) [109S024](#) [109S024UL](#) [109S025UL](#) [109S072UL](#) [109S074UL](#) [109S082](#) [109S085](#) [109S086](#) [109S087](#) [109S303](#) [109S304](#) [113XN0181000](#) [11925PB-A1L-EA-00](#) [125LG-0281-010](#) [125XL-0281-010](#) [125XL-0282-010](#) [125XL-2282-030](#) [125XR-0281-090](#) [125XR-0282-090](#) [126LF-0182-000](#) [126LF-0281-000](#) [126LH-0182-000](#) [126LH-0282-000](#) [141LS-0281-010](#) [141LS-0282-010](#) [141LS-2182](#) [141LT-0281-010](#) [141LT2281010](#) [141LV-0282-010](#) [141LV-2281-010](#) [144LS-2282-010](#) [146DF-0181-000](#) [146DF-2181-000](#) [146DS-2LP11-000](#) [148DH-1TM11-000](#)