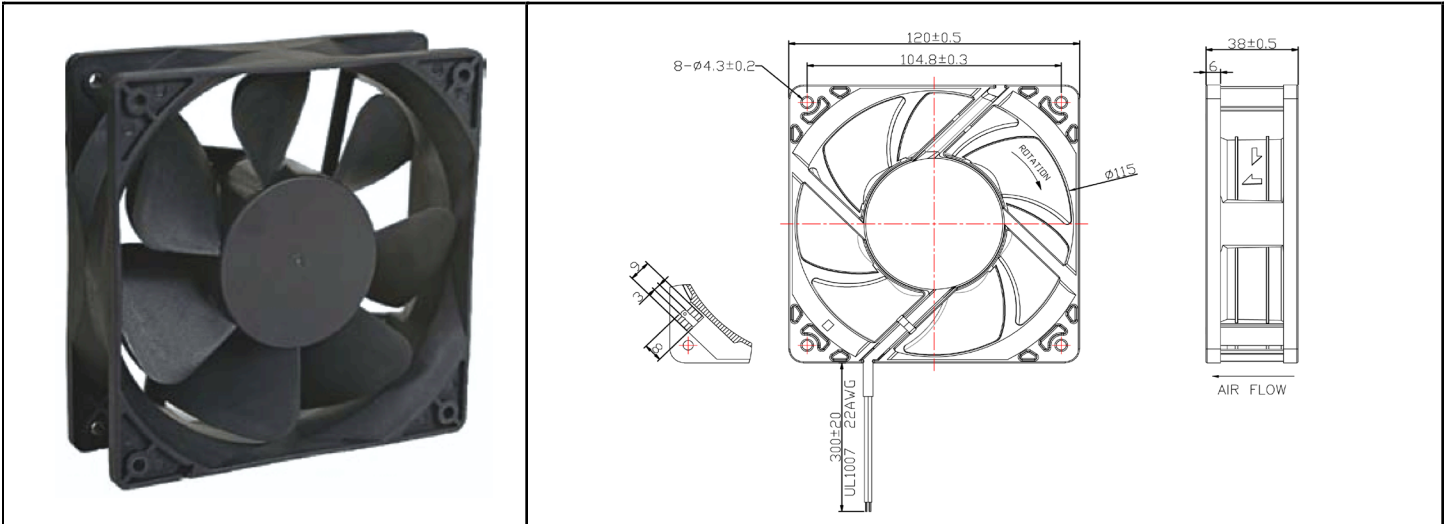


OA109EC Series



AC Fan - 115V / 230V Universal Input
120x38mm (4.7"x 1.5")



Frame	PBT, UL94V-O plastic	Operating Temperature Ball Bearing -20C ~ +70C	
Impeller	PBT, UL94V-O plastic		
Connection	2x Lead wires,(300mm) or Terminals	Life Expectancy Ball Bearing 60,000 hours (L10 at 40C)	
Motor	EC Motor, electronically protected	Weight .64 lbs	
Bearing System	Dual ball		
Insulation Resistance	>10M ohm between leadwire and frame (500VDC)	m2	
Dielectric Strength	1 sec at 1800 VAC, 50/60Hz		

Model Number	OA109EC-UR-1*B
Nominal Voltage	115/230 univ. input
Voltage Range	90 ~ 265 VAC
Rated Current	.08A @ 115V, .06A @ 230V
Nominal Power	4.9W @ 115V, 5.2W @ 230V
Rated Speed (RPM)	3200
Airflow (CFM)	106
Noise Level (dB)	43
Max. Static Pressure	0.34" H ₂ O

* Indicate "T" (Terminal), or "W" (12" Wire Leads)

X-ON Electronics

Largest Supplier of Electrical and Electronic Components

Click to view similar products for [EC Fans](#) category:

Click to view products by [Orion](#) manufacturer:

Other Similar products are found below :

[W1G250-HJ87-02](#) [3238.500](#) [3239.500](#) [3240.500](#) [3241.500](#) [ACI4400HHAU](#) [CF4113LBT-000U-A99](#) [CF4113MBL-000U-AA9](#) [CF4113MBT-000U-A99](#) [CF4113LBL-000U-AA9](#) [CF4113HBT-000U-AB9](#) [CF4113MBT-000U-AA9](#) [CF4113LBT-000U-AA9](#) [CF4113LBL-000U-A99](#) [CF4113MBT-000U-AB9](#) [CF4113LBL-000U-AE9](#) [CF4113MBL-000U-A99](#) [CF4113HBT-000U-AA9](#) [CF4113LBT-000U-AB9](#) [CF4113HBT-000U-A99](#) [CF4113MBL-000U-AE9](#) [CF4113HBT-000U-ABD](#) [GTW012FU804](#) [8212J/2H3](#) [OA109EC-UR-1TB](#) [OA109EC-UR-1WBXC](#) [OA125EC-UR-1WB](#) [OA172EC-22-1WB](#) [OA172EC-22-1TB](#) [OA172EC-11-1TB](#) [OA172EC-11-1WB](#) [OA172EC-22-1TBIP68A](#) [OA172EC-11-1WBIP68A](#) [OA172EC-UR-1WB](#) [OA172EC-UR-1TB](#) [OA200EC-11-1WB](#) [OA200EC-22-1WB](#) [OA80EC-UR-1WB](#) [OA80EC-UR-1WBXC](#) [OA9232EC-UR-1WB](#) [OA92EC-UR-1WBXC](#) [OA938EC-UR-1WB](#) [OA938EC-UR-1WBXC](#) [FMA1-06025WBHW12](#) [FMA1-08025WBHT12](#) [FMA1-08025WBHW12](#) [FMA1-08038WBHT12](#) [FMA1-08038WBHW12](#) [FMA1-09225WBHT12](#) [FMA1-09225WBHW12](#)