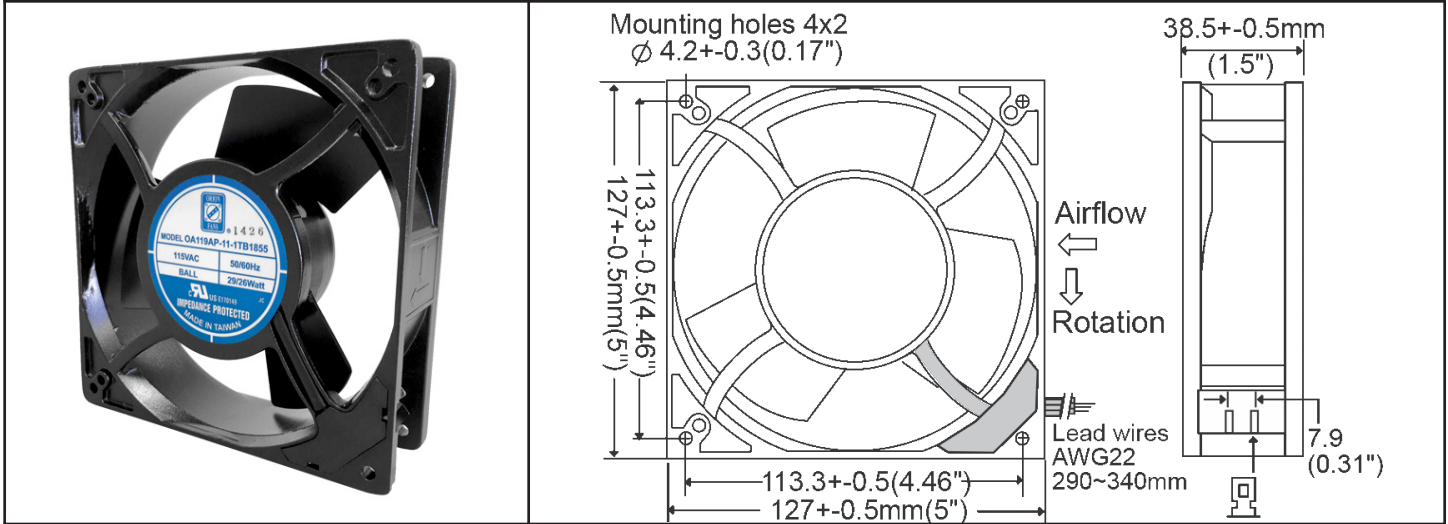


OA119 Series - All Metal



AC Fan - 115V, 230V
127 x 38mm (5.0" x 1.5")



| | | | |
|------------------------------|------------------------------------------------|-----------------------------------------------------------------------------------------------------------------|--|
| Frame | Diecast Aluminum | Operating Temperature Ball Bearing -30C ~ +80C (non-condensing) Storage Temp -40C ~ +100C | |
| Impeller | Metal Alloy | | |
| Connection | 2x Lead Wires 22 AWG or terminals | Life Expectancy Ball Bearing 50,000 hours (L10 at 55C) Environmental Protection IP55 | |
| Motor | Shaded pole, impedance protected | Weight: ~ 1.4 lbs | |
| Bearing System | Dual ball bearing | m0 | |
| Insulation Resistance | >100M ohm between lead-wire and frame (500VDC) | | |
| Dielectric Strength | 1 min at 1500 VAC, 50/60Hz | | |

| Model Number | Speed (RPM) | Airflow (CFM) | Noise (dB) | Volts AC | Voltage Range | Watts | Max. Static Pressure ("H ₂ O) | Curves |
|---------------------|--------------|---------------|------------|----------|---------------|----------|------------------------------------------|----------------------|
| OA119AP-11-1 * 1855 | 2600 2950 | 110 128 | 48 | 115 | 100~120 | 29 26 | 0.27 0.29 | 2 (50Hz) 1 (60Hz) |
| OA119AP-11-2 * 1855 | 2300 2400 | 95 105 | 42 | 115 | 100~120 | 23 20 | 0.23 0.25 | 4 (50Hz) 3 (60Hz) |
| OA119AP-11-3 * 1855 | 1600 1500 | 68 65 | 28 | 115 | 100~120 | 18 15 | 0.18 0.16 | 6 (50Hz) 5 (60Hz) |
| OA119AP-22-1 * 1855 | 2600 2950 | 110 128 | 48 | 230 | 200~240 | 29 26 | 0.27 0.29 | 2 (50Hz) 1 (60Hz) |
| OA119AP-22-2 * 1855 | 2300 2400 | 95 105 | 42 | 230 | 200~240 | 23 20 | 0.23 0.25 | 4 (50Hz) 3 (60Hz) |
| OA119AP-22-3 * 1855 | 1600 1500 | 68 65 | 28 | 230 | 200~240 | 18 15 | 0.18 0.16 | 6 (50Hz) 5 (60Hz) |

* Indicate "TB" for terminal type or "WB" for lead wires

X-ON Electronics

Largest Supplier of Electrical and Electronic Components

Click to view similar products for [AC Fans](#) category:

Click to view products by [Orion](#) manufacturer:

Other Similar products are found below :

[G9225S05B2-FSR](#) [A2D200-AA04-41](#) [A2E165-AA17-01](#) [AD0912HB-A7BGL](#) [1500-FAN-01](#) [25.001.1856.0](#) [25.320.1353.1](#) [25.320.4753.1](#)
[25.320.5453.1](#) [25.330.1353.1](#) [25.330.4853.1](#) [25.330.5153.1](#) [25.330.5353.1](#) [25.340.1053.1](#) [25.350.5253.0](#) [25.600.4053.0](#) [272DL-2LP11-000](#)
[A2D210-AB10-05](#) [A2D240-AA02-02](#) [A2D250-AE22-06](#) [A2E170-AF23-01](#) [F1238S24BT-FSR](#) [23241-3](#) [25.000.1856.0](#) [25.000.2056.0](#)
[25.010.1856.0](#) [25.332.2453.1](#) [25.340.0453.1](#) [25.345.5353.0](#) [281DS-2LP11-000B](#) [281DY-1LP14-000B](#) [298DM-2LP11-000](#) [298DS-2LP11-](#)
[000A](#) [344DY-1LP11-000](#) [39.703.0253.0](#) [USTF1203224VHW](#) [3G2C7MC224](#) [W2S130-AA03-43](#) [W2S130-AA25-97](#) [8856N](#) [A4D315-AC20-](#)
[02](#) [A2E170-AF23-11](#) [W2S130-AB03-09](#) [8550A](#) [8560N](#) [8880A](#) [S4D300-AR34-17](#) [S2E250-AE31-08](#) [AD0405HB-G73\(9T\)](#) [CENT-2000-](#)
[FFTM](#)