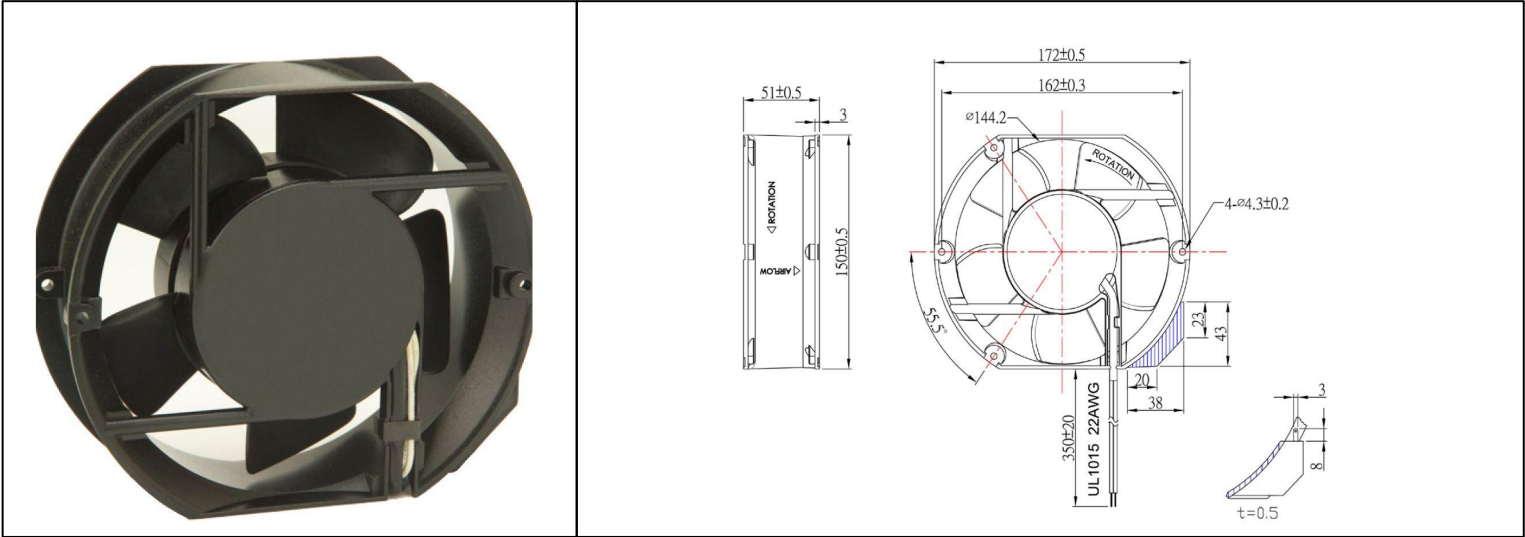


# OA172EC Series



EC Fan -115V, 230V  
172x150x51mm (6.7" x 5.9" x 2.0")



Frame	Aluminum (ADC-12)	<b>Operating Temperature</b> -20C ~ +70C  <b>Life Expectancy</b> 50,000 hours (L10 at 40C)  <b>Weight:</b> ~ 1.54 lbs  m2	
Impeller	PBT UL94V0- Plastic		
Connection	Terminal or Wire Leads		
Motor	EC Motor, electronically protected		
Bearing System	Dual Ball Bearings		
Dielectric Strength	1 sec at 1800 VAC, 50/60Hz		

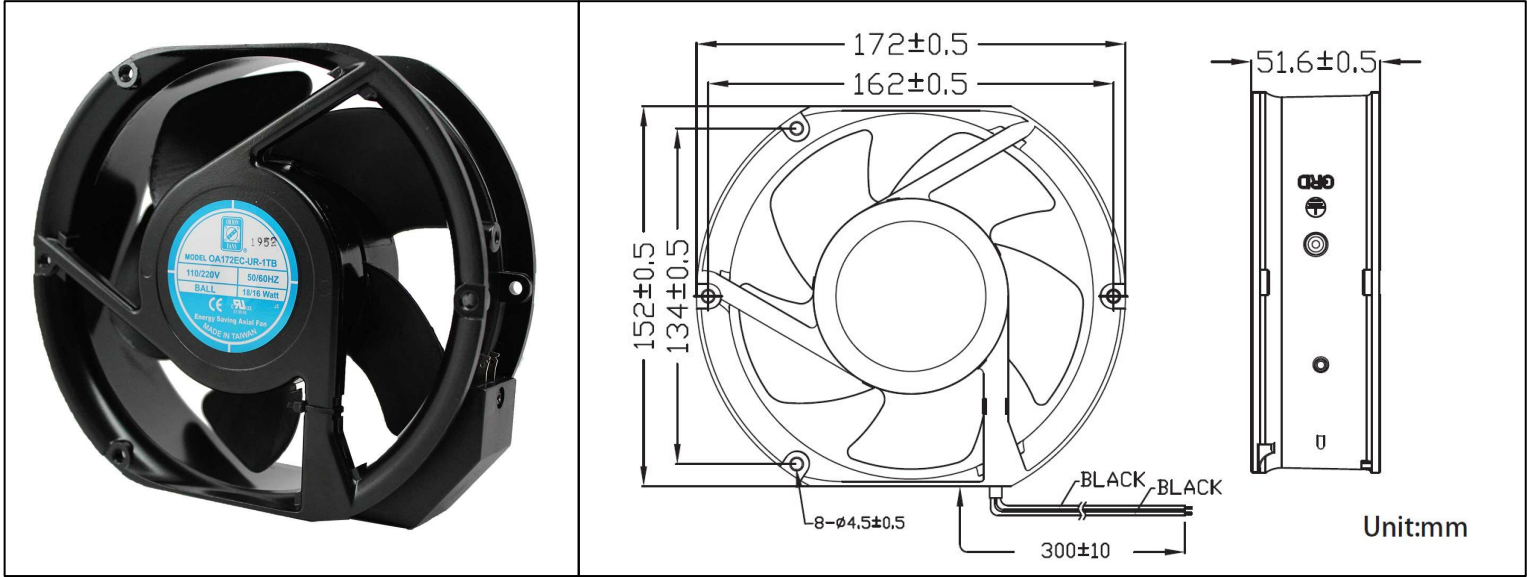
Part Number	OA172EC-11-1*	OA172EC-22-1*
Rated Voltage	115 VAC (50/60Hz)	230 VAC (50/60Hz)
Voltage Range	103 ~ 127 VAC (50/60Hz)	207 ~ 253 VAC (50/60Hz)
Nominal Power	15 W	15 W
Rated Current	0.23A	0.13 A
Rated Speed (RPM)	3000	3000
Airflow (CFM)	220	220
Noise Level (dB)	57	57
Max. Static Pressure	0.62"H <sub>2</sub> O	0.62"H <sub>2</sub> O

\*Insert T for Terminal and W for Wire Leads

# OA172EC Series



EC Fan Universal Voltage  
172x152x51.6mm (6.77" x 5.98" x 2.03")



Frame	Black, Aluminum Diecast	<u>Operating Temperature</u> -10C ~ +70C  <u>Storage Temperature</u> -40C ~ +75C  <u>Life Expectancy</u> 50,000 hours (L10 at 40C)  Weight: ~ 1.47 lbs  m0	
Impeller	PBT UL94V0- Plastic		
Connection	Terminal or Wire Leads		
Motor	AC-DC Energy Saving, Electronically Protected		
Bearing System	Dual Ball Bearings		
Dielectric Strength	1400VAC/min		

Part Number	OA172EC-UR-1*B
Rated Voltage	110/220 VAC
Voltage Range	90 ~ 265
Rated Input	18 ~ 16 (12.5)W
Rated Speed (RPM)	3000
Airflow (CFM)	220
Noise Level (dB)	55
Max. Static Pressure	0.8"H <sub>2</sub> O

\*Insert T for Terminal and W for Wire Leads

## X-ON Electronics

Largest Supplier of Electrical and Electronic Components

*Click to view similar products for [EC Fans](#) category:*

*Click to view products by [Orion](#) manufacturer:*

Other Similar products are found below :

[N43-45001](#) [ACi4400H](#) [ACi4400L](#) [3238.500](#) [3241.500](#) [CF4113MBL-000U-AE9](#) [ACi4400HH](#) [ACI4400MLR](#) [CF4113HBT-000U-ABD](#)  
[AC4300H](#) [ACi4410HH](#) [ACi4420HH](#) [ACI4420ML](#) [W1G200-EF01-01](#) [W1G230-EB97-01](#) [W1G250-BB17-01](#) [W3G250-CD54-01](#) [W3G280-](#)  
[EQ08-44](#) [W3G280-EQ20-43](#) [FMA1-06025WBHW12](#) [FMA1-08025WBHT12](#) [FMA1-08038WBHT12](#) [FMA1-09225WBHT12](#) [FMA1-](#)  
[09225WBHW12](#) [FMA1-09238WBHT12](#) [FMA1-09238WBHW12](#) [FMA1-12025WBHT12](#) [FMA1-12025WBHW12](#) [FMA1-12038WBHT12](#)  
[FMA1-12038WBHW12](#) [FMA1-12038WBJW12-A](#) [FMA1-17251WBHW32](#) [CF4113HBL-000U-AB9](#) [CF4113LBL-000U-AB9](#) [CF4113LBL-](#)  
[000U-ABD](#) [CF4113MBL-000U-AB9](#) [CF4113MBL-000U-ABD](#) [W1G250-BB21-01](#) [W2G107-AD01-13](#) [W2G107-AD03-13](#) [W1G200-EA95-](#)  
[68](#) [CF4113LBT-000U-A99](#) [CF4113MBL-000U-AA9](#) [CF4113MBT-000U-A99](#) [CF4113LBL-000U-AA9](#) [CF4113MBT-000U-AA9](#)  
[CF4113LBT-000U-AA9](#) [CF4113MBT-000U-AB9](#) [CF4113MBL-000U-A99](#) [CF4113HBT-000U-AA9](#)