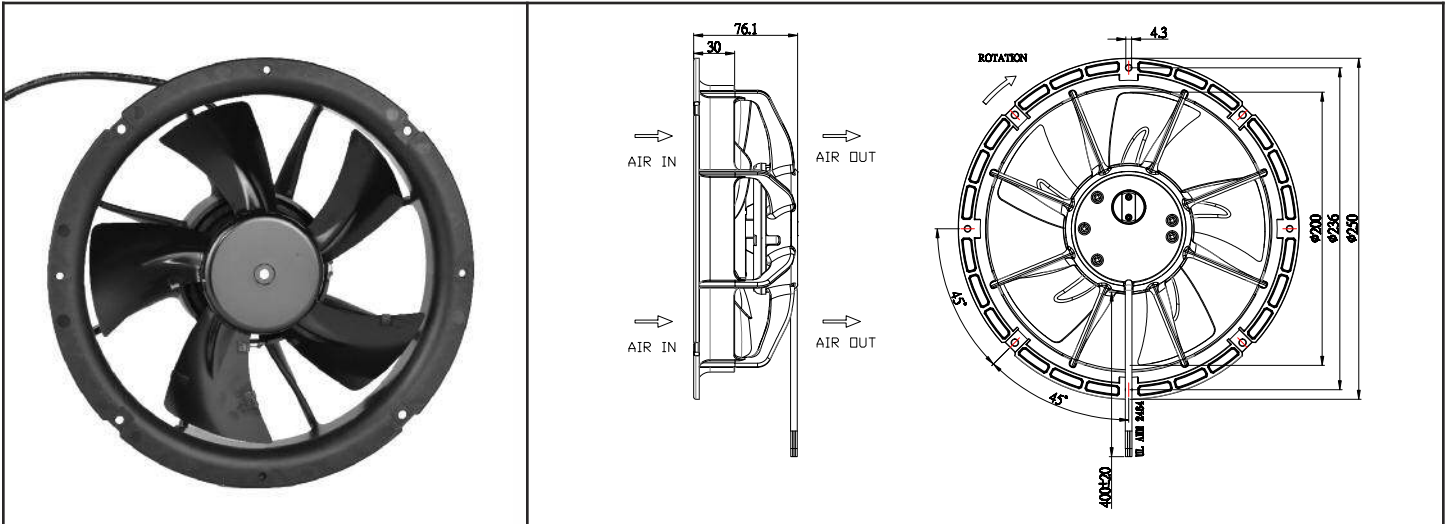


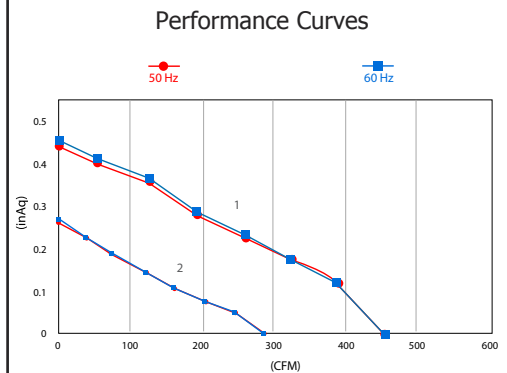
OA200EC Series



EC Fan Dual Speed - 115V, 230V
250 x 76mm (9.85"x 3.0")



Frame	PBT UL94V-0 Plastic	<u>Operating Temperature</u> Ball Bearing -25C ~ +50C (non-condensing) Storage Temp -40C ~ +80C <u>Life Expectancy</u> Ball Bearing 40,000 hours (L10 at 40C) IP55 Rated Weight: ~ 2.20 lbs.
Impeller	Metal	
Connection	3x Lead wires Black (line), Blue (neutral), Brown (speed)	
Motor	Brushless EC motor, electronically protected	
Bearing System	Dual ball	
Insulation Resistance	>100M ohm between lead-wire and frame (500VDC)	
Dielectric Strength	1 min at 1,500 VAC, 50/60Hz	
		m2 Performance Curves

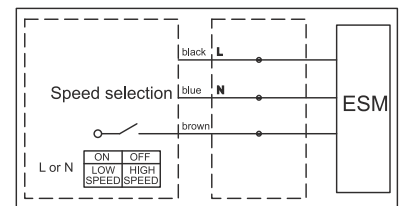


Part Number	Speed* (RPM)	Airflow (CFM)	Noise (dB)	Volts AC	Nominal Current	Watts	Max. Static Pressure ("H ₂ O)	Curves
OA200EC-11-1WB	1,400	290	44	115	0.13	8.1	0.28	2
	2,200	460	55		0.40	26	0.46	1
OA200EC-22-1WB	1,400	290	44	230	0.08	8.5	0.28	2
	2,200	460	55		0.24	27	0.46	1

* Speed (RPM) can be factory programmed

Noise, power and static pressure values will change per requirement

MOTOR WIRING DIAGRAMS



X-ON Electronics

Largest Supplier of Electrical and Electronic Components

Click to view similar products for [EC Fans](#) category:

Click to view products by [Orion](#) manufacturer:

Other Similar products are found below :

[N43-45001](#) [ACi4400H](#) [ACi4400L](#) [3238.500](#) [3241.500](#) [CF4113MBL-000U-AE9](#) [ACi4400HH](#) [ACI4400MLR](#) [CF4113HBT-000U-ABD](#)
[AC4300H](#) [ACi4410HH](#) [ACi4420HH](#) [ACI4420ML](#) [W1G200-EF01-01](#) [W1G230-EB97-01](#) [W1G250-BB17-01](#) [W3G250-CD54-01](#) [W3G280-](#)
[EQ08-44](#) [W3G280-EQ20-43](#) [FMA1-06025WBHW12](#) [FMA1-08025WBHT12](#) [FMA1-08038WBHT12](#) [FMA1-09225WBHT12](#) [FMA1-](#)
[09225WBHW12](#) [FMA1-09238WBHT12](#) [FMA1-09238WBHW12](#) [FMA1-12025WBHT12](#) [FMA1-12025WBHW12](#) [FMA1-12038WBHT12](#)
[FMA1-12038WBHW12](#) [FMA1-12038WBJW12-A](#) [FMA1-17251WBHW32](#) [CF4113HBL-000U-AB9](#) [CF4113LBL-000U-AB9](#) [CF4113LBL-](#)
[000U-ABD](#) [CF4113MBL-000U-AB9](#) [CF4113MBL-000U-ABD](#) [W1G250-BB21-01](#) [W2G107-AD01-13](#) [W2G107-AD03-13](#) [W1G200-EA95-](#)
[68](#) [CF4113LBT-000U-A99](#) [CF4113MBL-000U-AA9](#) [CF4113MBT-000U-A99](#) [CF4113LBL-000U-AA9](#) [CF4113MBT-000U-AA9](#)
[CF4113LBT-000U-AA9](#) [CF4113MBT-000U-AB9](#) [CF4113MBL-000U-A99](#) [CF4113HBT-000U-AA9](#)