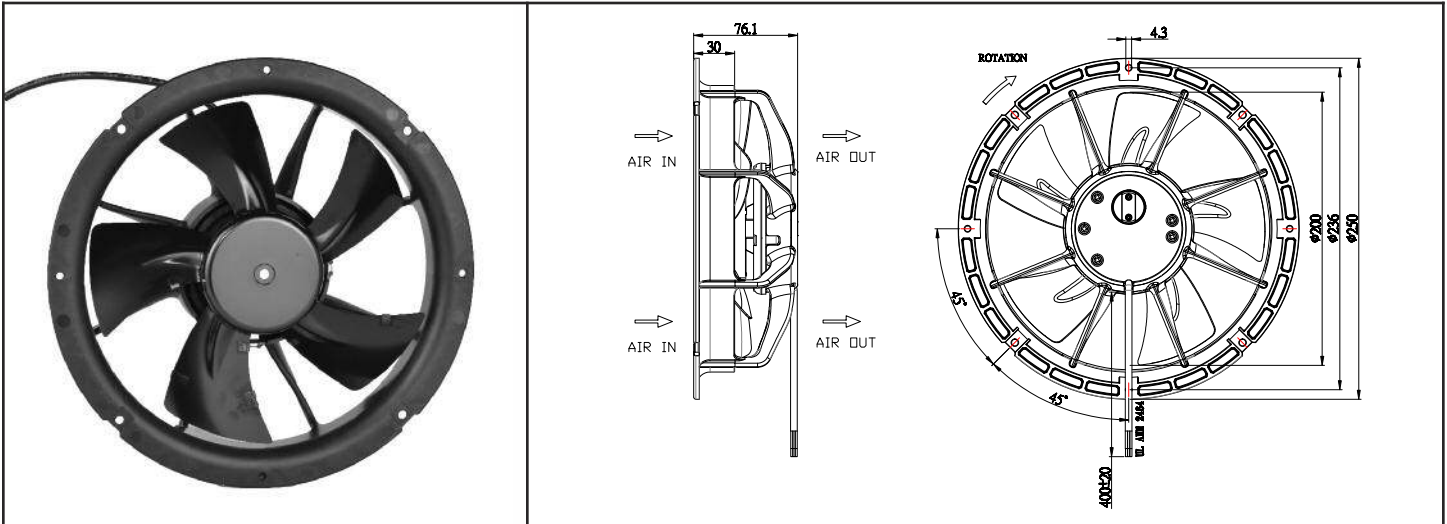


OA200EC Series



EC Fan Dual Speed - 115V, 230V
250 x 76mm (9.85"x 3.0")



Frame	PBT UL94V-0 Plastic	<u>Operating Temperature</u> Ball Bearing -25C ~ +50C (non-condensing) Storage Temp -40C ~ +80C <u>Life Expectancy</u> Ball Bearing 40,000 hours (L10 at 40C) IP55 Rated Weight: ~ 2.20 lbs. m2
Impeller	Metal	
Connection	3x Lead wires Black (line), Blue (neutral), Brown (speed)	
Motor	Brushless EC motor, electronically protected	
Bearing System	Dual ball	
Insulation Resistance	>100M ohm between lead-wire and frame (500VDC)	
Dielectric Strength	1 min at 1,500 VAC, 50/60Hz	

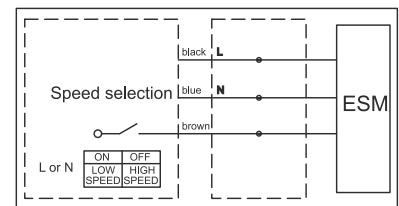
Performance Curves

Part Number	Speed* (RPM)	Airflow (CFM)	Noise (dB)	Volts AC	Nominal Current	Watts	Max. Static Pressure ("H ₂ O)	Curves
OA200EC-11-1WB	1,400	290	44	115	0.13	8.1	0.28	2
	2,200	460	55		0.40	26	0.46	1
OA200EC-22-1WB	1,400	290	44	230	0.08	8.5	0.28	2
	2,200	460	55		0.24	27	0.46	1

* Speed (RPM) can be factory programmed

Noise, power and static pressure values will change per requirement

MOTOR WIRING DIAGRAMS



X-ON Electronics

Largest Supplier of Electrical and Electronic Components

Click to view similar products for [EC Fans](#) category:

Click to view products by [Orion](#) manufacturer:

Other Similar products are found below :

[W1G250-HJ87-02](#) [3238.500](#) [3239.500](#) [3240.500](#) [3241.500](#) [ACI4400HHAU](#) [CF4113LBT-000U-A99](#) [CF4113MBL-000U-AA9](#) [CF4113MBT-000U-A99](#) [CF4113LBL-000U-AA9](#) [CF4113HBT-000U-AB9](#) [CF4113MBT-000U-AA9](#) [CF4113LBT-000U-AA9](#) [CF4113LBL-000U-A99](#) [CF4113MBT-000U-AB9](#) [CF4113LBL-000U-AE9](#) [CF4113MBL-000U-A99](#) [CF4113HBT-000U-AA9](#) [CF4113LBT-000U-AB9](#) [CF4113HBT-000U-A99](#) [CF4113MBL-000U-AE9](#) [CF4113HBT-000U-ABD](#) [GTW012FU804](#) [8212J/2H3](#) [OA109EC-UR-1TB](#) [OA109EC-UR-1WBXC](#) [OA125EC-UR-1WB](#) [OA172EC-22-1WB](#) [OA172EC-22-1TB](#) [OA172EC-11-1TB](#) [OA172EC-11-1WB](#) [OA172EC-22-1TBIP68A](#) [OA172EC-11-1WBIP68A](#) [OA172EC-UR-1WB](#) [OA172EC-UR-1TB](#) [OA200EC-11-1WB](#) [OA200EC-22-1WB](#) [OA80EC-UR-1WB](#) [OA80EC-UR-1WBXC](#) [OA9232EC-UR-1WB](#) [OA92EC-UR-1WBXC](#) [OA938EC-UR-1WB](#) [OA938EC-UR-1WBXC](#) [FMA1-06025WBHW12](#) [FMA1-08025WBHT12](#) [FMA1-08025WBHW12](#) [FMA1-08038WBHT12](#) [FMA1-08038WBHW12](#) [FMA1-09225WBHT12](#) [FMA1-09225WBHW12](#)