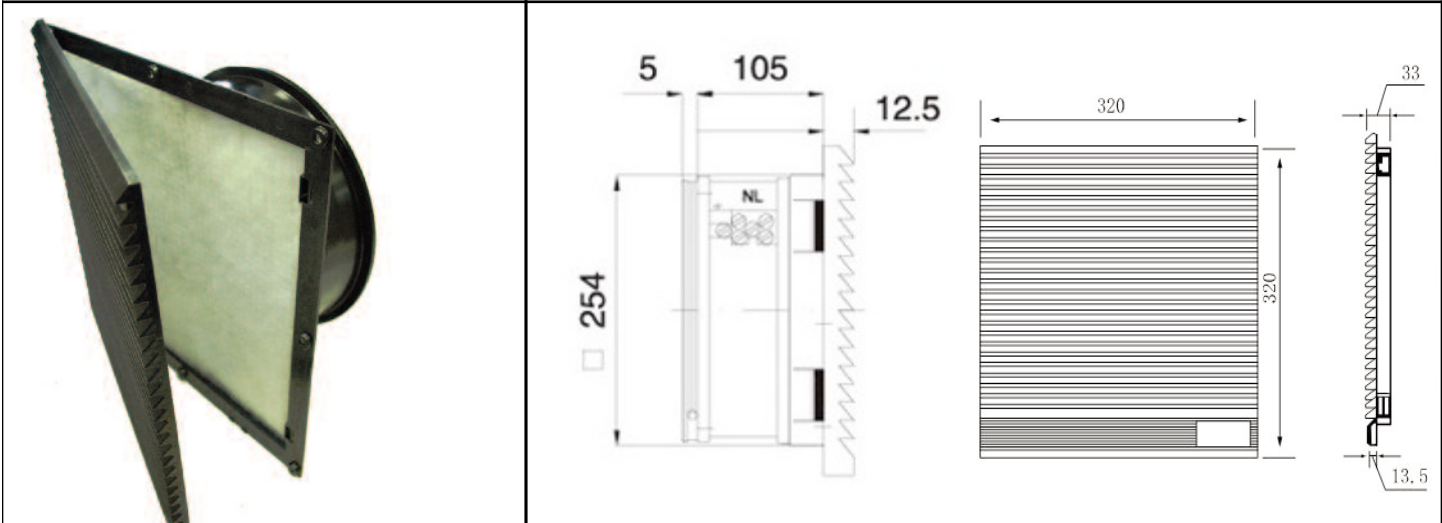


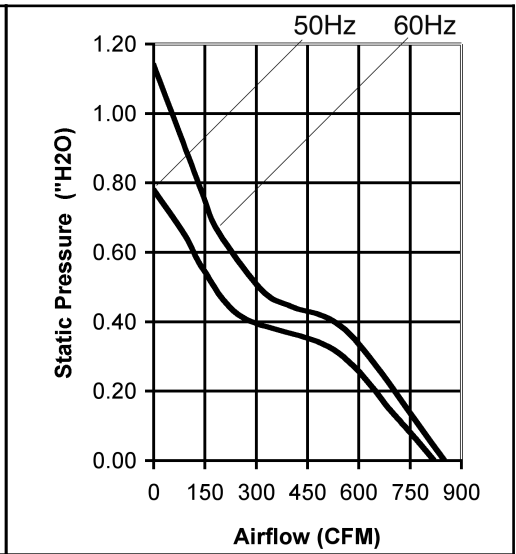
# OA254LFG XC Series



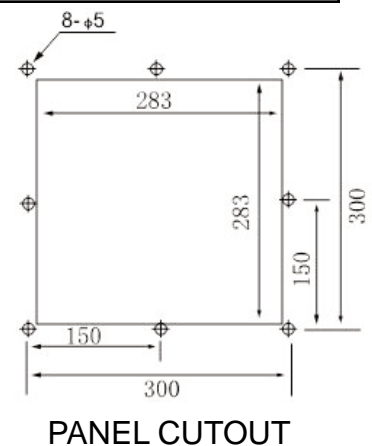
## Louvered Filter Fan Kit with Fan Installed



Frame	Diecast Aluminum	<b>Operating Temperature</b> Ball Bearing -40C ~ +70C  <b>Life Expectancy</b> Ball Bearing 60,000 hours (L10 at 40C)  <b>Environmental:</b> Class B Insulation Rated IP54 Guard Guard Frame: ABS Resin UL94V-0 with UV protection Color: Black (standard) or Gray Filter Mesh: Nylon fiber Synthetic Resin  m0
Impeller	PBT, UL94V-O plastic	
Connection	2x Lead Wires or Terminals	
Motor	Capacitor drive, impedance protected	
Bearing System	Dual ball	
Insulation Resistance	>100M ohm between lead-wire and frame (500VDC)	
Dielectric Strength	1 min at 1500 VAC, 50/60Hz	



Model Number	OA254LFG111TXC	OA254LFG221TXC
Nominal Voltage	115 VAC	230 VAC
Voltage Range	80 ~ 130	160 ~ 260
Rated Power	75	75
Rated Speed (RPM)	2700	2700
Airflow (CFM)	850	850
Noise Level (dB)	69	69
Max. Static Pressure	0.78 \"H2O	0.78\" H2O



\* Note: Airflow data is for the fan without the louvered filter attached. Calculations indicate that up to a 40% reduction (~ 510 CFM) in fan airflow is possible with LFG unit installed.

## X-ON Electronics

Largest Supplier of Electrical and Electronic Components

*Click to view similar products for [AC Fans](#) category:*

*Click to view products by [Orion](#) manufacturer:*

Other Similar products are found below :

[G9225S05B2-FSR](#) [A2D200-AA04-41](#) [A2E165-AA17-01](#) [AD0912HB-A7BGL](#) [144LS-2282-010](#) [1500-FAN-01](#) [25.001.1856.0](#) [25.350.5253.0](#)  
[272DL-2LP11-000](#) [98XC-0182-000](#) [A2D210-AB10-05](#) [A2E170-AF23-01](#) [F1238S24BT-FSR](#) [23241-3](#) [25.000.1856.0](#) [25.000.2056.0](#)  
[25.010.1856.0](#) [25.345.5353.0](#) [281DY-1LP14-000B](#) [298DM-2LP11-000](#) [298DS-2LP11-000A](#) [344DY-1LP11-000](#) [39.703.0253.0](#)  
[USTF1203224VHW](#) [3915100996-SA3](#) [3G2C7MC224](#) [W2D200-HH04-07](#) [W2S130-AA03-43](#) [W2S130-AA25-97](#) [432703034611](#) [8856N](#)  
[A4D315-AC20-02](#) [W4S250-CA20-56](#) [W2S130-AB03-09](#) [5900](#) [C45-A7](#) [TAC12025230MT](#) [8550A](#) [8560N](#) [8880A](#) [AD0405HB-G73\(9T\)](#)  
[W2D200-CA04-52](#) [S4E450-AP01-02](#) [W2S130-AB25-10](#) [A4E330-AB18-09](#) [W2E250-DB05-52](#) [W4E315-CS22-70](#) [S4S250-BA02-20](#)  
[S2D300-BP02-37](#) [W2S130-AB25-24](#)