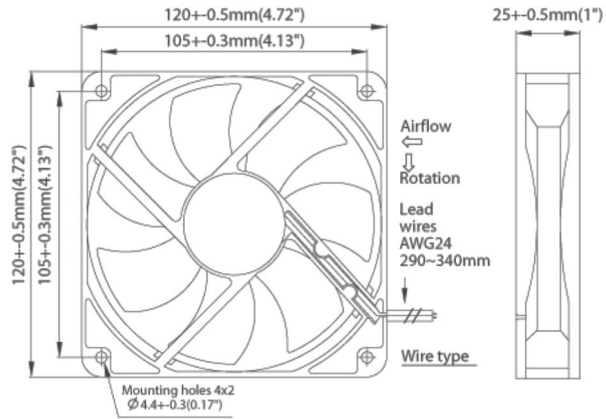


# OD1225-IP68 Series



DC Fan, 12, 24, 48V  
120x25mm (4.7"x1.0")



<b>Frame</b>	PBT, UL94 V-0 plastic	<b>Operating Temperature</b> -15°C ~ +65°C  <b>Storage Temperature</b> -25°C ~ +80°C  <b>Life Expectancy</b> 60,000 hours (L10 at 35°C)  <b>Available Options</b> Tachometer Alarm PWM  Weight: 0.34 lbs m0	<p>Graph showing Static Pressure (H<sub>2</sub>O) vs Airflow (CFM) for various fan models (H, M, L). The y-axis ranges from 0 to 0.25 H<sub>2</sub>O, and the x-axis ranges from 0 to 120 CFM. Three curves are shown: H (highest pressure), M (middle pressure), and L (lowest pressure). All curves show a decrease in static pressure as airflow increases.</p>
<b>Impeller</b>	PBT, UL94 V-0 plastic		
<b>Connection</b>	2x Lead wires, 24 AWG		
<b>Motor</b>	Brushless DC, Auto Restart, Polarity Protected, Electronically Protected, IP68		
<b>Bearing System</b>	Dual Ball Bearings		
<b>Dielectric Strength</b>	500VAC/min		
<b>Insulation Resistance</b>	10M ohm between leadwires and frame (500 VDC)		

Part Number	Rated Voltage	Input Power	Rated Current	Rated Speed (RPM)	Airflow (CFM)	Noise Level (dB)	Max. Static Pressure
OD1225-12HBIP68	12 VDC	5.4 W	0.45 A	3100	120	42	0.24"H <sub>2</sub> O
OD1225-12MBIP68	12 VDC	4.0 W	0.35 A	2500	90	35	0.19"H <sub>2</sub> O
OD1225-12LBIP68	12 VDC	2.5 W	0.20 A	1900	70	25	0.15"H <sub>2</sub> O
OD1225-24HBIP68	24 VDC	7.7 W	0.32 A	3100	120	42	0.24"H <sub>2</sub> O
OD1225-24MBIP68	24 VDC	4.1 W	0.17 A	2500	90	35	0.19"H <sub>2</sub> O
OD1225-24LBIP68	24 VDC	2.4 W	0.10 A	1900	70	25	0.15"H <sub>2</sub> O
OD1225-48HBIP68	48 VDC	4.5 W	0.09 A	3100	120	42	0.24"H <sub>2</sub> O
OD1225-48MBIP68	48 VDC	3.5 W	0.07 A	2500	90	35	0.19"H <sub>2</sub> O
OD1225-48LBIP68	48 VDC	2.9 W	0.06 A	1900	70	25	0.15"H <sub>2</sub> O

## X-ON Electronics

Largest Supplier of Electrical and Electronic Components

*Click to view similar products for [DC Fans](#) category:*

*Click to view products by [Orion](#) manufacturer:*

Other Similar products are found below :

[614R](#) [AUB0612L](#) [AFB0948HH-S687](#) [G2E085-AA05-10](#) [4318/12T](#) [AUB0912H-F00](#) [3412N/2ME](#) [W2G110-AM39-01](#) [8412GLV](#) [8412NGL-12](#) [6448-384](#) [4114N/17-251](#) [4318/2R](#) [4412F/2D](#) [424JMU](#) [4414/2HH](#) [4112 N/12GL-175](#) [9GA0912F402](#) [9GA0812B20011](#)  
[AFB0824SHBAV1](#) [DV5214/2NP-230](#) [9GA0912H4021](#) [THC1548MGDJJ](#) [GFB1224SHG](#) [8500NU](#) [3241.124](#) [DC1203812W2B-2T0](#)  
[MF40060V1-1000U-G99](#) [DC0401012V2B-3T0](#) [7F.20.9.024.1020](#) [7F.20.9.024.2055](#) [ASFP12392](#) [ASFP14391](#) [ASFP64371](#) [ASFP64391](#)  
[ASFP80372](#) [ASFP84391](#) [ASFP92391](#) [ASFP94391](#) [MF92251V3-1000U-G99](#) [9A0612G402](#) [AD5012HB-C71](#) [AD5012MB-C71](#) [ASFP84372](#)  
[026758A](#) [514F](#) [412/2H](#) [4292](#) [MF60152V1-1000U-G99](#) [3610KL-04W-B50-D00](#)