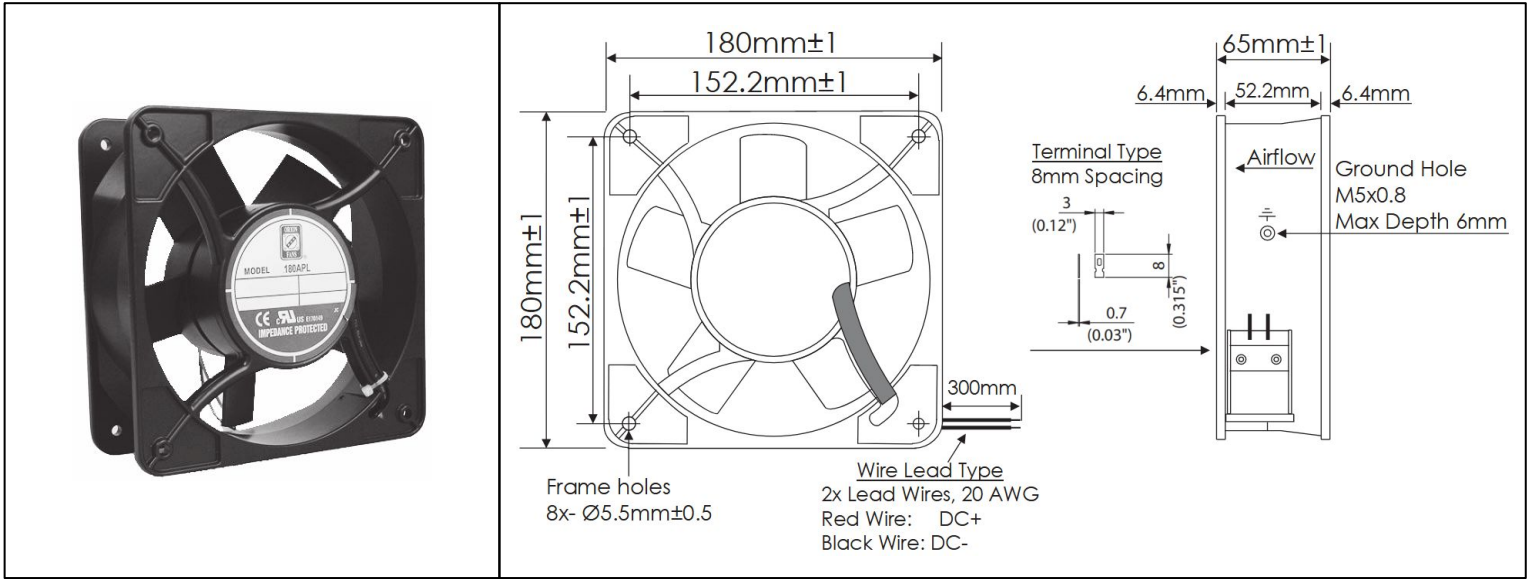


# OD180APL IP69K Series



DC Fans - 12, 24, 48V  
180mm x 180mm x 65mm (7" x 2.5")



<b>Frame</b>	Die Cast Aluminum, Black Finish	<b>Operating Temperature</b> -20°C ~ +65°C	
<b>Impeller</b>	PBT UL94 V-0 Plastic		
<b>Connection</b>	2x Wire Leads 20 AWG, or Terminals	<b>Life Expectancy</b> 60,000 Hours (L10 at 40°C)	
<b>Motor</b>	Brushless DC, Auto Cutoff, Auto Restart, Electronically Protected, Polarity Protected, IP69K	<b>Available Options</b> Tachometer Output PWM Speed Control Thermal Speed Control Alarm Output IP68 Rating	
<b>Bearing System</b>	Dual Ball Bearings	Weight: 3.2 lbs	
<b>Dielectric Strength</b>	500VAC/min < 5mA		
<b>Insulation Resistance</b>	≥10M Ohm @ 500 VDC		

Part Number	Rated Voltage (Volts DC)	Voltage Range (Volts DC)	Rated Current (Amps)	Rated Power (Watts)	Rated Speed (RPM)	Airflow (CFM)	Noise Level (dBA)	Max. Static Pressure (\"H <sub>2</sub> O)
OD180APL-12H*BIP69K	12	9 ~ 13.8	4.20	50.4	3375	460	63.2	1.10
OD180APL-12M*BIP69K	12	9 ~ 13.8	1.90	23.5	2800	375	53.4	0.70
OD180APL-12L*BIP69K	12	9 ~ 13.8	1.50	19.0	2150	300	46.1	0.58
OD180APL-24H*BIP69K	24	20 ~ 26.4	2.50	60.2	3375	460	63.2	1.10
OD180APL-24M*BIP69K	24	20 ~ 26.4	1.15	28.3	2800	375	53.4	0.70
OD180APL-24L*BIP69K	24	20 ~ 26.4	0.62	15.6	2150	300	46.1	0.58
OD180APL-48H*BIP69K	48	28 ~ 52.0	1.03	50.2	3375	460	63.2	1.10
OD180APL-48M*BIP69K	48	28 ~ 52.0	0.48	24.2	2800	375	53.4	0.70
OD180APL-48L*BIP69K	48	28 ~ 52.0	0.30	15.4	2150	300	46.1	0.58

\* Insert letter "T" for Terminal connection type. Terminal connection is not IP Rated.

## X-ON Electronics

Largest Supplier of Electrical and Electronic Components

*Click to view similar products for [DC Fans](#) category:*

*Click to view products by [Orion](#) manufacturer:*

Other Similar products are found below :

[F1238H24B-FHR](#) [F1238X24B1-FSR-TTL](#) [PMD1204PBB1-A \(2\).GN](#) [AUB0612L](#) [F6025X12B1-RHR](#) [G4020H05B2-RSR-EM](#) [4318/12T](#)  
[AUB0912H-F00](#) [3412N/2ME](#) [W2G110-AM39-01](#) [USTF501005HW](#) [8412GLV](#) [8412NGL-12](#) [6448-384](#) [3258JH](#) [4114N/17-251](#) [4412F/2D](#)  
[OD127AP-28HTB](#) [424JMU](#) [3110KL-05W-B50-G00](#) [1608KL-04W-B29-L00](#) [EF40101BX-1000U-G99](#) [4414/2HH](#) [512F/2P-549](#) [4112](#)  
[N/12GL-175](#) [9GA0924L4021](#) [9GA0924M4021](#) [9GA0924M4011](#) [9GA0912M4D011](#) [9GA0924W4D01](#) [9GA0912F4021](#) [9GA0912H4D011](#)  
[9GA0824L20021](#) [9GA0824L20011](#) [9GA0812A2002](#) [9GA0812B2D001](#) [9GA0812L20021](#) [9WP1248M1021](#) [9GA0812A2D001](#)  
[9GA0824L2D001](#) [9GA0924W4D011](#) [9GA0912W402](#) [9GA0912M402](#) [9GA0824B2D001](#) [9GA0824A20021](#) [9GA0912W4021](#)  
[9GA0924W402](#) [9GA0812L2D0011](#) [9GA0812A20021](#) [9GA0824L2001](#)