



## OD2510 Series

DC Fan - 5V, 12V  
25 x 10mm (1.0 x .39in)



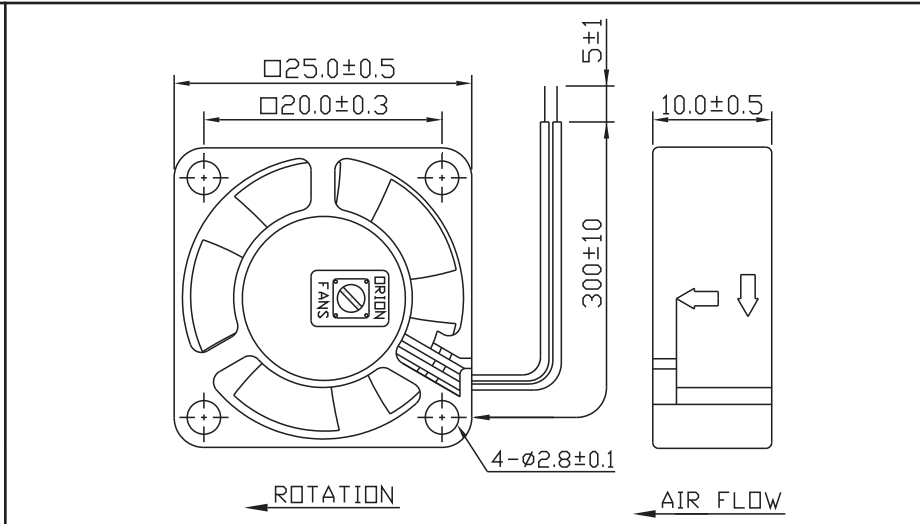
| Model #        | Pg # | Voltage | RPM   | CFM  | Noise Level | Max Static Pressure  |
|----------------|------|---------|-------|------|-------------|----------------------|
| OD2510-05H     | 2    | 5 VDC   | 12000 | 2.7  | 31 dB       | .23 H <sub>2</sub> O |
| OD2510-05M     | 2    | 5 VDC   | 10000 | 2.2  | 24 dB       | .17 H <sub>2</sub> O |
| OD2510-05L     | 2    | 5 VDC   | 8000  | 1.8  | 18 dB       | .12 H <sub>2</sub> O |
| OD2510-12H     | 2    | 12 VDC  | 12000 | 2.7  | 31 dB       | .23 H <sub>2</sub> O |
| OD2510-12M     | 2    | 12 VDC  | 10000 | 2.2  | 24 dB       | .17 H <sub>2</sub> O |
| OD2510-12L     | 2    | 12 VDC  | 8000  | 1.8  | 16 dB       | .12 H <sub>2</sub> O |
| OD2510-12LL    | 2    | 12 VDC  | 7000  | 1.45 | 15 dB       | .07 H <sub>2</sub> O |
| OD2510-12MB02A | 3    | 12 VDC  | 10000 | 2.2  | 24 dB       | .17 H <sub>2</sub> O |

\*\* For some models and part numbers, minimum order quantities may apply.

# OD2510 Series



DC Fan - 5, 12V  
25 x 10mm (1.0" x 0.39")



|                       |  |   |  |
|-----------------------|--|---|--|
| Frame & Impeller      | PBT, UL94V-0 plastic   | <b>Available Options:</b><br>Tachometer Alarm<br><br><u>Life Expectancy (L10)</u><br>Ball - 60,000 hrs (45C)<br>Sleeve - 30,000 hrs (45C)<br><br><u>Operating Temperature</u><br>Ball: -10C ~ 70C<br>Sleeve: -10C ~ 50C<br><br>Weight: ~ 0.02 lbs |  |
| Connection            | 2x Lead wires 28AWG  |   |  |
| Motor                 | Brushless DC, auto restart, impedance and polarity protected |   |  |
| Bearing System        | Ball bearing or Sleeve                                       |   |  |
| Insulation Resistance | 10M ohm between leadwire and frame (500VDC)                  |   |  |
| Dielectric Strength   | 1 minute at 500 VAC, max leakage < 500 MicroAmp              |   |  |
| Storage Temperature   | -40C ~ +80C  |   |  |

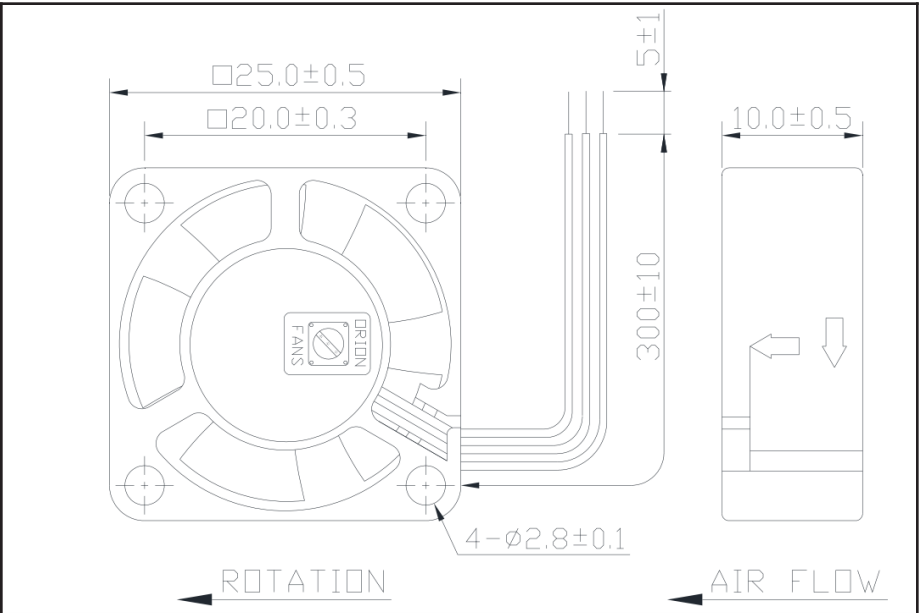
| Model Number  | Speed (RPM) | Airflow (CFM) | Noise (dB) | Volts DC | Voltage Range (VDC) | Amps | Max. Static Pressure ("H <sub>2</sub> O) |
|---------------|-------------|---------------|------------|----------|---------------------|------|--|
| OD2510-05H *  | 12000       | 2.7           | 31         | 5        | 4.0 ~ 5.5           | 0.14 | 0.23                                     |
| OD2510-05M *  | 10000       | 2.2           | 24         | 5        | 4.0 ~ 5.5           | 0.12 | 0.17                                     |
| OD2510-05L *  | 8000        | 1.8           | 18         | 5        | 4.0 ~ 5.5           | 0.10 | 0.12                                     |
| OD2510-12H *  | 12000       | 2.7           | 31         | 12       | 6.0 ~ 16            | 0.09 | 0.23                                     |
| OD2510-12M *  | 10000       | 2.2           | 24         | 12       | 6.0 ~ 16            | 0.08 | 0.17                                     |
| OD2510-12L *  | 8000        | 1.8           | 16         | 12       | 6.0 ~ 16            | 0.04 | 0.12                                     |
| OD2510-12LL * | 7000        | 1.45          | 15         | 12       | 9.0 ~ 13.2          | 0.07 | 0.07                                     |

\* Indicate "B" for ball bearing or "S" for sleeve bearing

# OD2510-12MB02A



DC Fan, 12VDC  
25x10mm (1x.39in)

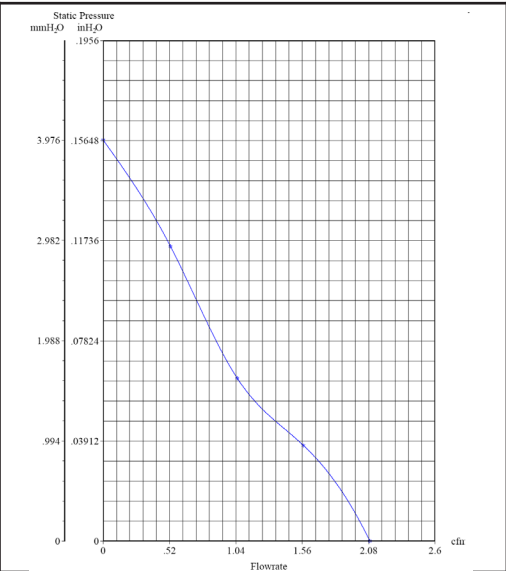


|                       |   |
|-----------------------|---|
| Frame & Impeller      | PBT, UL94V-0 plastic                            |
| Connection            | 3x Lead wires *                                 |
| Motor                 | Brushless DC, auto restart, polarity protected. |
| Bearing System        | Dual ball bearing                               |
| Insulation Resistance | Min. 10M at 500VDC                              |
| Dielectric Strength   | 1 second at 500VAC max leakage 500 microamp     |
| Temperature Range     | -10C ~ 70C                                      |
| Storage Temperature   | -40C ~ +80C                                     |
| Life (L10)            | 60,000 hours (40C)                              |

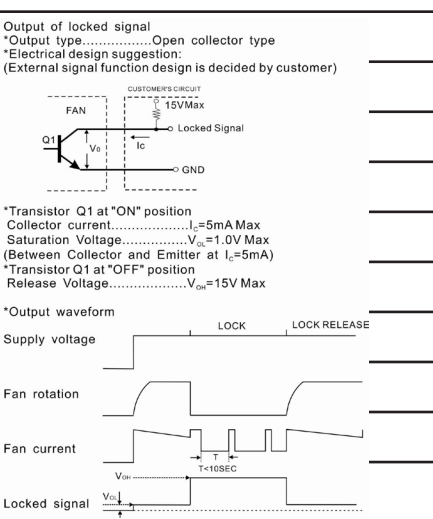
Available Options  
 IP55  
 Other speeds and voltages  
 Tachometer  
 PWM

\*Connection:  
 Wire Leads - UL1007  
 28AWG Red(+), Black (-), Yellow Alarm

Weight: 8 g



|                      |                       |
|----------------------|-----------------------|
| Model Number         | OD2510-12MB02A        |
| Part Number          | 125131231             |
| Nominal Voltage      | 12 VDC                |
| Voltage Range        | 6~16 VDC              |
| Nominal Current      | .08 A                 |
| Rated Power          | 1.44 Watts            |
| Rated Speed (RPM)    | 10000                 |
| Airflow (CFM)        | 2.2                   |
| Noise Level (dB)     | 24                    |
| Max. Static Pressure | .17 "H <sub>2</sub> O |



## X-ON Electronics

Largest Supplier of Electrical and Electronic Components

*Click to view similar products for [DC Fans](#) category:*

*Click to view products by [Orion](#) manufacturer:*

Other Similar products are found below :

[F1238H24B-FHR](#) [F1238X24B1-FSR-TTL](#) [PMD1204PBB1-A \(2\).GN](#) [AUB0612L](#) [F6025X12B1-RHR](#) [G4020H05B2-RSR-EM](#) [4318/12T](#)  
[AUB0912H-F00](#) [3412N/2ME](#) [W2G110-AM39-01](#) [USTF501005HW](#) [8412GLV](#) [8412NGL-12](#) [6448-384](#) [3258JH](#) [4114N/17-251](#) [4412F/2D](#)  
[OD127AP-28HTB](#) [424JMU](#) [3110KL-05W-B50-G00](#) [1608KL-04W-B29-L00](#) [EF40101BX-1000U-G99](#) [4414/2HH](#) [512F/2P-549](#) [4112](#)  
[N/12GL-175](#) [9GA0924L4021](#) [9GA0924M4021](#) [9GA0924M4011](#) [9GA0912M4D011](#) [9GA0924W4D01](#) [9GA0912F4021](#) [9GA0912H4D011](#)  
[9GA0824L20021](#) [9GA0824L20011](#) [9GA0812A2002](#) [9GA0812B2D001](#) [9GA0812L20021](#) [9WP1248M1021](#) [9GA0812A2D001](#)  
[9GA0824L2D001](#) [9GA0924W4D011](#) [9GA0912W402](#) [9GA0912M402](#) [9GA0824B2D001](#) [9GA0824A20021](#) [9GA0912W4021](#)  
[9GA0924W402](#) [9GA0812L2D0011](#) [9GA0812A20021](#) [9GA0824L2001](#)