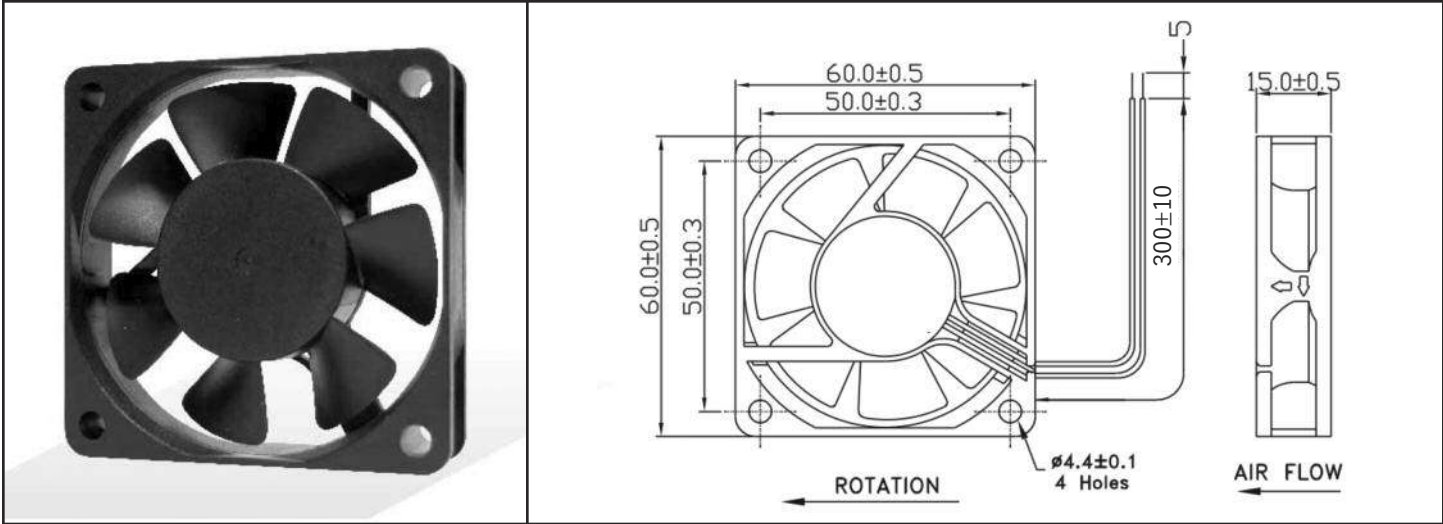


# OD6015 Series



DC Fan - 5, 12, 24V  
60 x 15mm (2.36" x 0.59")



|                       |   |   |  |
|-----------------------|---|---|--|
| Frame & Impeller      | PBT, UL94V-0 plastic                            | <b>Available Options:</b><br>Tachometer (FG)<br>Alarm (RD)<br>Other frame styles available<br>Sleeve Bearing<br><br>Life Expectancy (L10)<br>Ball Bearing<br>60,000 hours (L10 at 40C)<br><br>Operating Temperature<br>Ball Bearing<br>-10C ~ 70C<br><br>Weight: ~ 0.08 lbs<br><br>m1 |  |
| Connection            | 2x Lead wires                                   |   |  |
| Motor                 | Brushless DC, auto restart, polarity protected  |   |  |
| Bearing System        | Dual Ball                                       |   |  |
| Insulation Resistance | 10M ohm between leadwire and frame (500VDC)     |   |  |
| Dielectric Strength   | 1 minute at 500 VAC, max leakage < 500 MicroAmp |   |  |
| Storage Temperature   | -40C ~ +80C                                     |   |  |

| Model Number | Speed (RPM) | Airflow (CFM) | Noise (dB) | Volts DC | Power Input (Watts) | Amps | Max. Static Pressure ("H <sub>2</sub> O) |
|--------------|-------------|---------------|------------|----------|---------------------|------|--|
| OD6015-05HB  | 4,500       | 16            | 33         | 5        | 1.10                | 0.22 | 0.15                                     |
| OD6015-05MB  | 3,900       | 14            | 29         | 5        | 0.90                | 0.18 | 0.12                                     |
| OD6015-05LB  | 3,500       | 12            | 25         | 5        | 0.60                | 0.12 | 0.08                                     |
| OD6015-12HHB | 5,100       | 18            | 39         | 12       | 1.44                | 0.12 | 0.17                                     |
| OD6015-12HB  | 4,500       | 16            | 33         | 12       | 1.08                | 0.09 | 0.15                                     |
| OD6015-12MB  | 3,900       | 14            | 29         | 12       | 0.98                | 0.08 | 0.12                                     |
| OD6015-12LB  | 3,500       | 12            | 25         | 12       | 0.84                | 0.07 | 0.08                                     |
| OD6015-12LLB | 3,100       | 11            | 21         | 12       | 0.72                | 0.06 | 0.06                                     |
| OD6015-24HB  | 4,500       | 16            | 33         | 24       | 1.20                | 0.05 | 0.15                                     |

## X-ON Electronics

Largest Supplier of Electrical and Electronic Components

*Click to view similar products for [DC Fans](#) category:*

*Click to view products by [Orion](#) manufacturer:*

Other Similar products are found below :

[614R](#) [AUB0612L](#) [AFB0948HH-S687](#) [G2E085-AA05-10](#) [4318/12T](#) [AUB0912H-F00](#) [3412N/2ME](#) [W2G110-AM39-01](#) [8412GLV](#) [8412NGL-12](#) [6448-384](#) [4114N/17-251](#) [4318/2R](#) [4412F/2D](#) [424JMU](#) [4414/2HH](#) [4112 N/12GL-175](#) [9GA0912F402](#) [9GA0812B20011](#) [AFB0824SHBAV1](#) [DV5214/2NP-230](#) [9GA0912H4021](#) [THC1548MGDJJ](#) [GFB1224SHG](#) [8500NU](#) [DC1203812W2B-2T0](#) [MF40060V1-1000U-G99](#) [DC0401012V2B-3T0](#) [7F.20.9.024.1020](#) [7F.20.9.024.2055](#) [ASFP12392](#) [ASFP14391](#) [ASFP80372](#) [ASFP80391](#) [ASFP84391](#) [ASFP92391](#) [ASFP94391](#) [MF92251V3-1000U-G99](#) [9A0612G402](#) [AD5012HB-C71](#) [AD5012MB-C71](#) [ASFP84372](#) [026758A](#) [MEC0251V2-000U-A99](#) [412/2H](#) [4292](#) [MF40101V2-1000U-A99](#) [MF60152V1-1000U-G99](#) [3610KL-04W-B50-D00](#) [109P0412K3023](#)