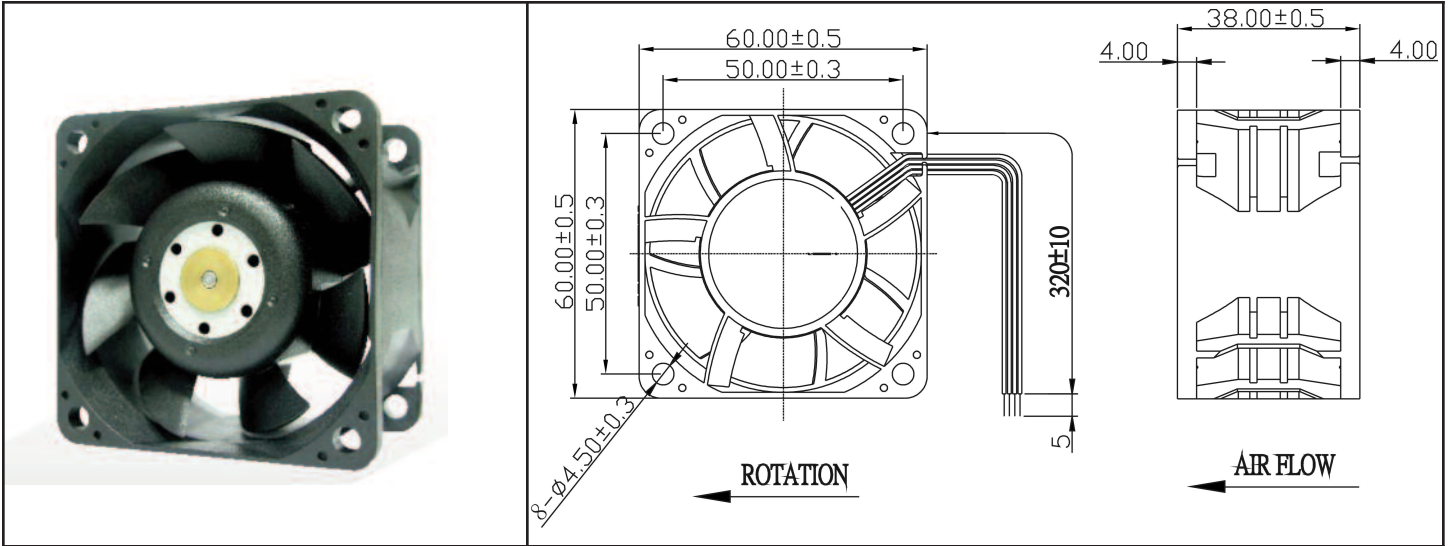


# OD6038 XC Series



DC Fan 12V

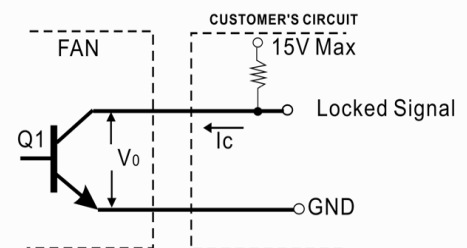
60x38mm (2.36"x 1.5")



Frame & Impeller	PBT, UL94V-O plastic	Tachometer - Open Collector  Weight: ~ 125 g  * Connection UL1007, 24AWG, ~320mm Red (+) Black (-) White Tachometer  m1	
Connecion	3x Lead wires *		
Motor	Brushless DC, auto restart, polarity protected.		
Bearing System	Dual ball bearing		
Insulation Resistance	Min. 10M at 500VDC		
Dielectric Strength	1 minute at 500 VAC, max leakage < 500 MicroAmp		
Temperature Range	-10C ~ +70C		
Storage Temperature	-40C ~ +80C		
Life (L10)	70,000 hours (40C)		

Part Number	OD6038-12HBXC01A
Nominal Voltage	12V DC
Voltage Range	10.8 ~ 13.2V DC
Nominal Current	2.10 A
Rated Power	28.8 W
Rated Speed (RPM)	14500
Airflow (CFM)	76
Noise Level (dB)	64
Max. Static Pressure	2.4" H <sub>2</sub> O

\*Output type.....Open collector type  
 \*Electrical design suggestion:



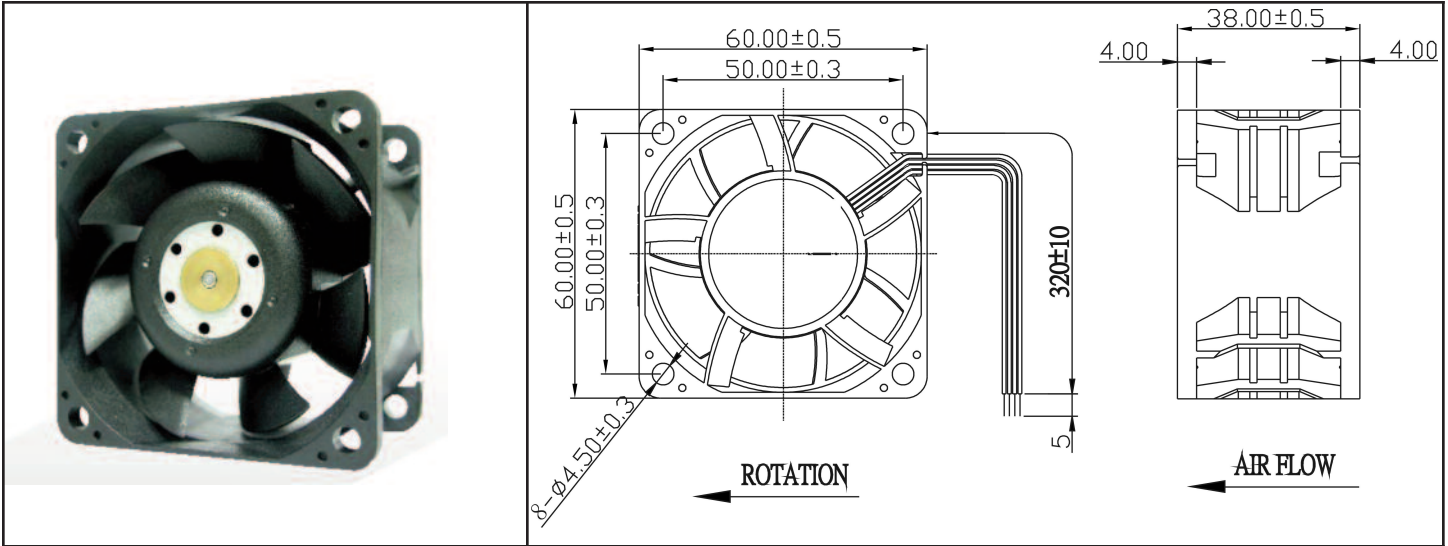
\*Transistor Q1 at "ON" position  
 Collector current.....I<sub>c</sub>=10mA Max  
 Saturation Voltage.....V<sub>OL</sub>=1.0V Max  
 (Between Collector and Emitter at I<sub>c</sub>=10mA)  
 \*Transistor Q1 at "OFF" position  
 Release Voltage.....V<sub>OH</sub>=15V Max

# OD6038 XC Series



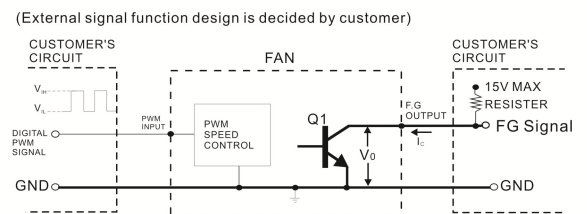
DC Fan 12V

60x38mm (2.36"x 1.5")



Frame & Impeller	PBT, UL94V-O plastic	Tachometer - Open Collector PWM Input Weight: ~ 125 g * Connection UL1007, 24AWG, ~320mm Red (+) Black (-) White Tachometer Blue PWM	<p>Graph showing Flowrate (CFM) on the x-axis (0 to 90) and Static Pressure (inAq) on the y-axis (0.00 to 2.95). The curve shows a decrease in static pressure as flowrate increases.</p>
Connecion	4x Lead wires *		
Motor	Brushless DC, auto restart, polarity protected.		
Bearing System	Dual ball bearing		
Insulation Resistance	Min. 10M at 500VDC		
Dielectric Strength	1 minute at 500 VAC, max leakage < 500 MicroAmp		
Temperature Range	-10C ~ +70C		
Storage Temperature	-40C ~ +80C		
Life (L10)	70,000 hours (40C)		

Part Number	OD6038-12HBXC10A
Nominal Voltage	12V DC
Voltage Range	10.8 ~ 13.2V DC
Nominal Current	2.10 A
Rated Power	28.8 W
Rated Speed (RPM)	14500
Airflow (CFM)	76
Noise Level (dB)	64
Max. Static Pressure	2.4" H <sub>2</sub> O



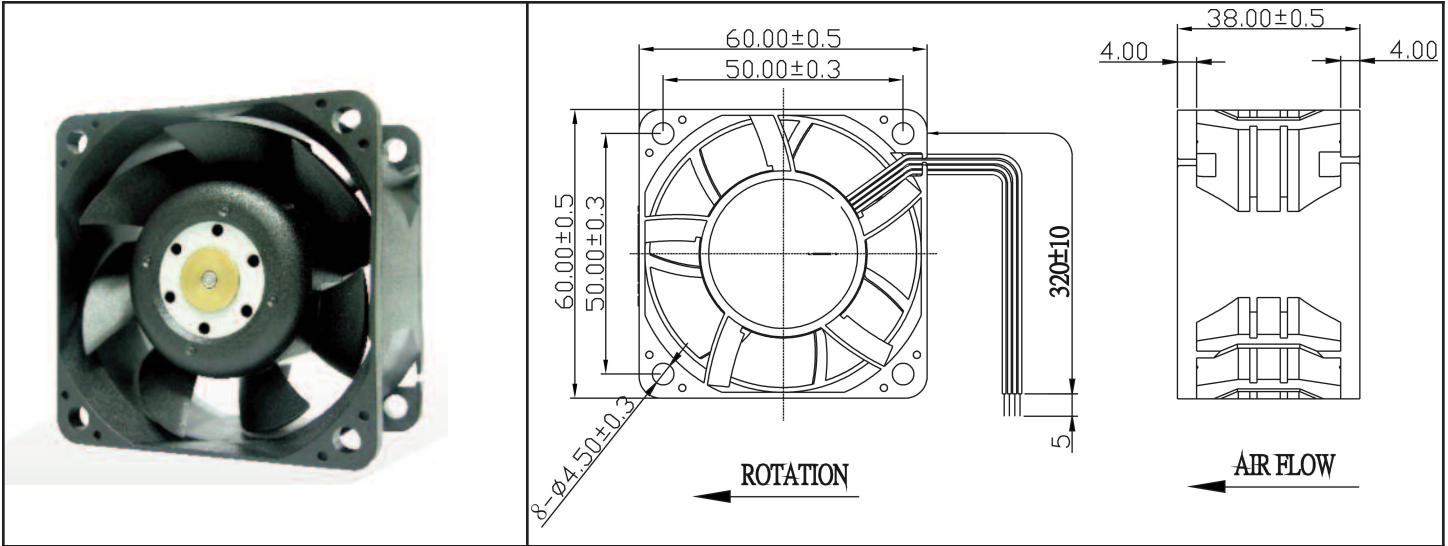
- \*TRANSISTOR Q1 AT "ON" POSITION  
COLLECTOR CURRENT-----I<sub>c</sub> = 10mA MAX  
SATURATION VOLTAGE-----V<sub>OL</sub> = 1 V MAX
- \*TRANSISTOR Q1 AT "OFF" POSITION  
RELEASE VOLTAGE-----V<sub>OH</sub> = 15 V MAX
- \*DIGITAL PWM SPEED CONTROL POSITION  
PWM INPUT VOLTAGE HIGH-----V<sub>ih</sub> = 5.5 V MAX  
PWM INPUT VOLTAGE LOW-----V<sub>il</sub> = 0.5 V MAX
- \*PWM INPUT FREQUENCY-----FPWM: 18KHZ-30KHZ

# OD6038 XC Series



DC Fan 12V

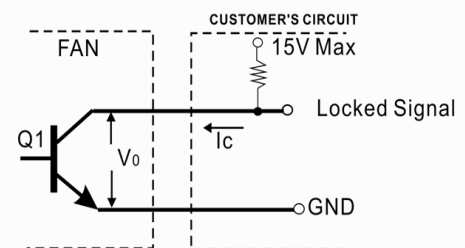
60x38mm (2.36"x 1.5")



Frame & Impeller	PBT, UL94V-O plastic	Tachometer - Open Collector  Weight: ~ 125 g  * Connection UL1007, 24AWG, ~320mm Red (+) Black (-) White Tachometer	
Connecion	3x Lead wires *		
Motor	Brushless DC, auto restart, polarity protected.		
Bearing System	Dual ball bearing		
Insulation Resistance	Min. 10M at 500VDC		
Dielectric Strength	1 minute at 500 VAC, max leakage < 500 MicroAmp		
Temperature Range	-10C ~ +70C		
Storage Temperature	-40C ~ +80C		
Life (L10)	70,000 hours (40C)	m1	

Part Number	OD6038-12HHBXC01A
Nominal Voltage	12V DC
Voltage Range	10.8 ~ 13.2V DC
Nominal Current	2.70 A
Rated Power	36 W
Rated Speed (RPM)	16000
Airflow (CFM)	86
Noise Level (dB)	66
Max. Static Pressure	2.95" H2O

\*Output type.....Open collector type  
 \*Electrical design suggestion:



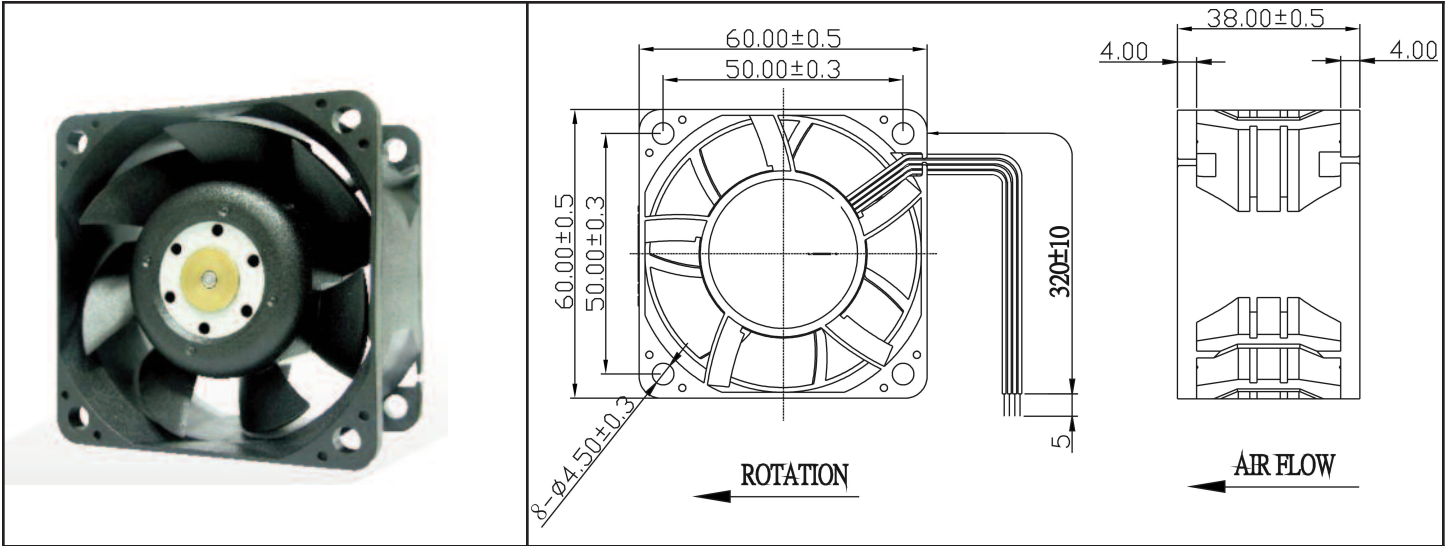
\*Transistor Q1 at "ON" position  
 Collector current..... $I_c=10\text{mA Max}$   
 Saturation Voltage..... $V_{OL}=1.0\text{V Max}$   
 (Between Collector and Emitter at  $I_c=10\text{mA}$ )  
 \*Transistor Q1 at "OFF" position  
 Release Voltage..... $V_{OH}=15\text{V Max}$

# OD6038 XC Series



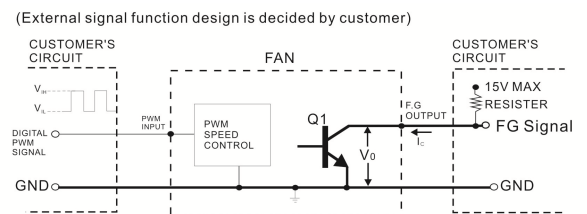
DC Fan 12V

60x38mm (2.36"x 1.5")



Frame & Impeller	PBT, UL94V-O plastic	Tachometer - Open Collector PWM Input Weight: ~ 125 g * Connection UL1007, 24AWG, ~320mm Red (+) Black (-) White Tachometer Blue PWM	
Connection	4x Lead wires *		
Motor	Brushless DC, auto restart, polarity protected.		
Bearing System	Dual ball bearing		
Insulation Resistance	Min. 10M at 500VDC		
Dielectric Strength	1 minute at 500 VAC, max leakage < 500 MicroAmp		
Temperature Range	-10C ~ 70C		
Storage Temperature	-40C ~ +80C		
Life (L10)	70,000 hours (40C)		

Part Number	OD6038-12HHBXC10A
Nominal Voltage	12V DC
Voltage Range	10.8 ~ 13.2V DC
Nominal Current	2.70 A
Rated Power	36 W
Rated Speed (RPM)	16000
Airflow (CFM)	86
Noise Level (dB)	66
Max. Static Pressure	2.95" H <sub>2</sub> O



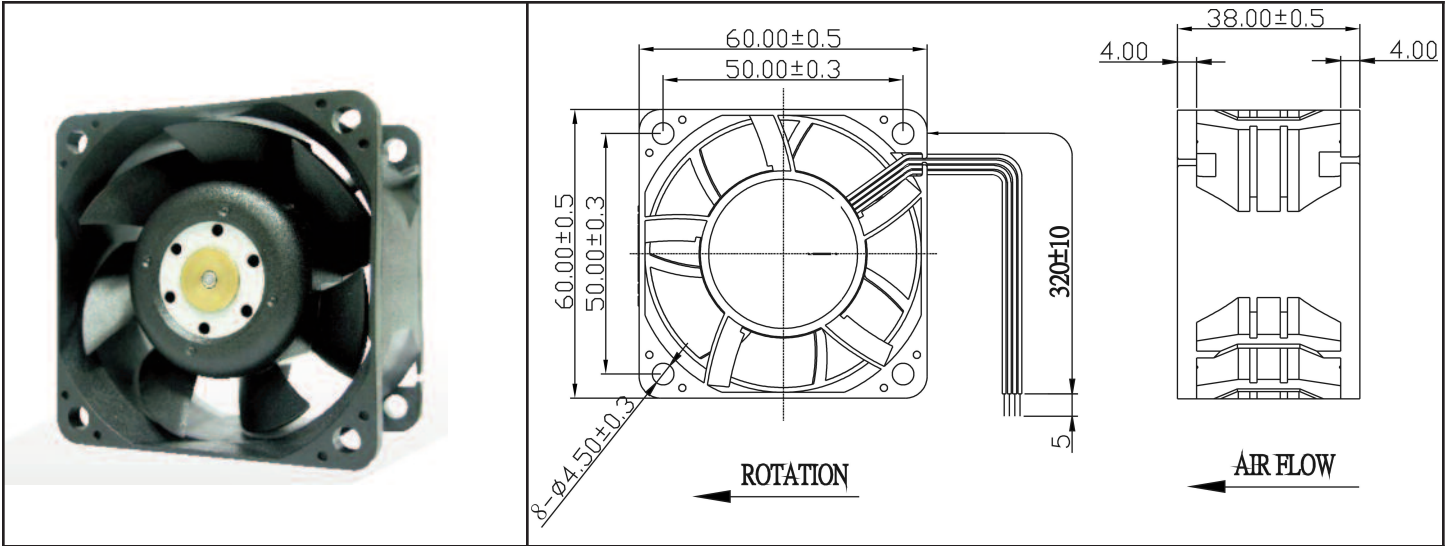
- \*TRANSISTOR Q1 AT "ON" POSITION  
COLLECTOR CURRENT-----I<sub>c</sub>=10mA MAX  
SATURATION VOLTAGE-----V<sub>ce</sub>=1 V MAX
- \*TRANSISTOR Q1 AT "OFF" POSITION  
RELEASE VOLTAGE-----V<sub>off</sub>=15 V MAX
- \*DIGITAL PWM SPEED CONTROL POSITION  
PWM INPUT VOLTAGE HIGH-----V<sub>in</sub>=5.5 V MAX  
PWM INPUT VOLTAGE LOW-----V<sub>in</sub>= 0.5 V MAX
- \*PWM INPUT FREQUENCY-----FPWM:18KHZ-30KHZ

# OD6038 XC Series

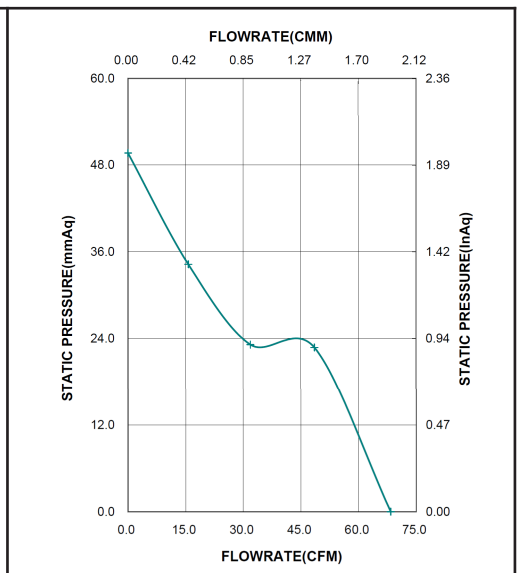


DC Fan 12V

60x38mm (2.36"x 1.5")

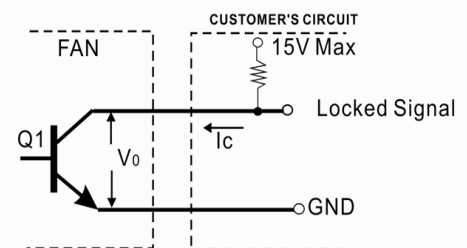


Frame & Impeller	PBT, UL94V-O plastic	Tachometer - Open Collector  Weight: ~ 125 g  * Connection UL1007, 24AWG, ~320mm Red (+) Black (-) White Tachometer
Connecion	3x Lead wires *	
Motor	Brushless DC, auto restart, polarity protected.	
Bearing System	Dual ball bearing	
Insulation Resistance	Min. 10M at 500VDC	
Dielectric Strength	1 minute at 500 VAC, max leakage < 500 MicroAmp	
Temperature Range	-10C ~ +70C	
Storage Temperature	-40C ~ +80C	
Life (L10)	70,000 hours (40C)	m1



Part Number	OD6038-12LBXC01A
Nominal Voltage	12V DC
Voltage Range	10.8 ~ 13.2V DC
Nominal Current	1.45 A
Rated Power	21.6 W
Rated Speed (RPM)	13000
Airflow (CFM)	68
Noise Level (dB)	61
Max. Static Pressure	1.95" H <sub>2</sub> O

\*Output type.....Open collector type  
 \*Electrical design suggestion:



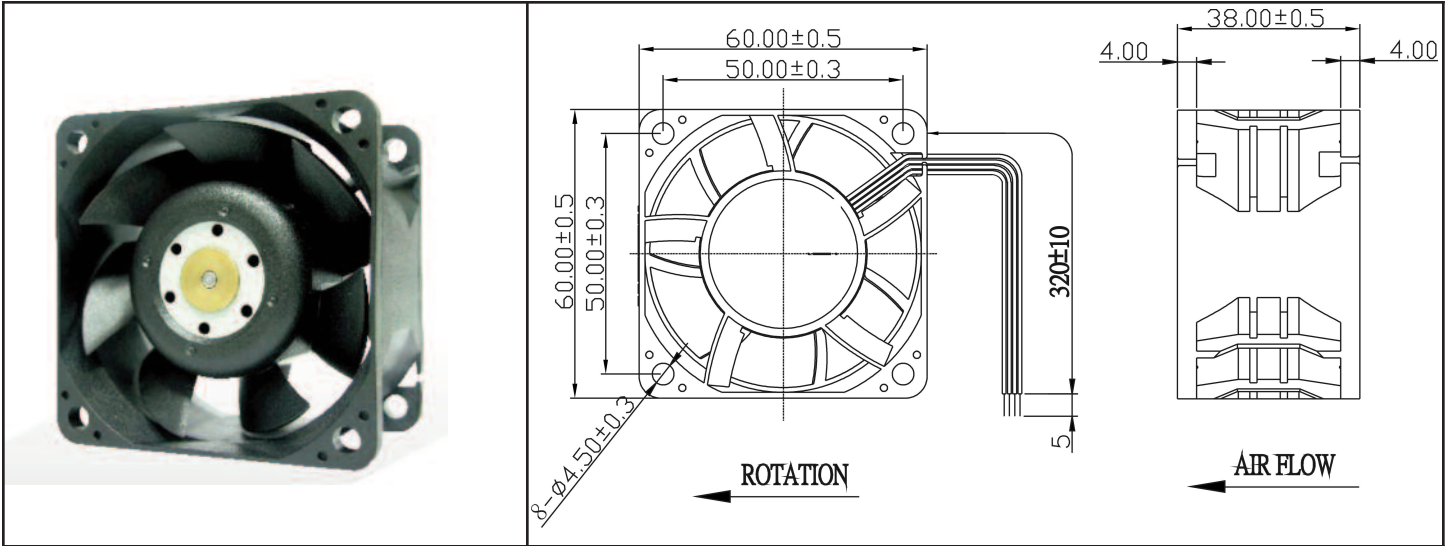
\*Transistor Q1 at "ON" position  
 Collector current.....I<sub>c</sub>=10mA Max  
 Saturation Voltage.....V<sub>OL</sub>=1.0V Max  
 (Between Collector and Emitter at I<sub>c</sub>=10mA)  
 \*Transistor Q1 at "OFF" position  
 Release Voltage.....V<sub>OH</sub>=15V Max

# OD6038 XC Series



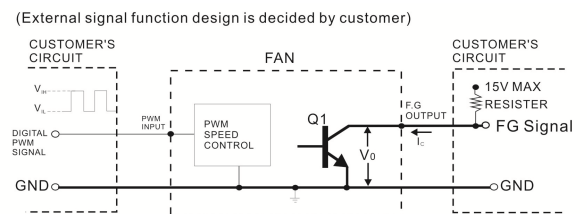
DC Fan 24V

60x38mm (2.36"x 1.5")



Frame & Impeller	PBT, UL94V-O plastic	Tachometer - Open Collector PWM Input Weight: ~ 125 g * Connection UL1007, 24AWG, ~320mm Red (+) Black (-) White Tachometer Blue PWM	
Connection	4x Lead wires *		
Motor	Brushless DC, auto restart, polarity protected.		
Bearing System	Dual ball bearing		
Insulation Resistance	Min. 10M at 500VDC		
Dielectric Strength	1 minute at 500 VAC, max leakage < 500 MicroAmp		
Temperature Range	-10C ~ 70C		
Storage Temperature	-40C ~ +80C		
Life (L10)	70,000 hours (40C)	m1	

Part Number	OD6038-24HHBXC10A
Nominal Voltage	24V DC
Voltage Range	21.6 ~ 26.4V DC
Nominal Current	1.25 A
Rated Power	30 W
Rated Speed (RPM)	16000
Airflow (CFM)	86
Noise Level (dB)	69.5
Max. Static Pressure	2.95" H <sub>2</sub> O



- \*TRANSISTOR Q1 AT "ON" POSITION  
COLLECTOR CURRENT-----I<sub>c</sub> = 10mA MAX  
SATURATION VOLTAGE-----V<sub>01</sub> = 1 V MAX
- \*TRANSISTOR Q1 AT "OFF" POSITION  
RELEASE VOLTAGE-----V<sub>0H</sub> = 15 V MAX
- \*DIGITAL PWM SPEED CONTROL POSITION  
PWM INPUT VOLTAGE HIGH-----V<sub>in</sub> = 5.5 V MAX  
PWM INPUT VOLTAGE LOW-----V<sub>in</sub> = 0.5 V MAX
- \*PWM INPUT FREQUENCY-----FPWM: 18KHZ-30KHZ

## X-ON Electronics

Largest Supplier of Electrical and Electronic Components

*Click to view similar products for [DC Fans](#) category:*

*Click to view products by [Orion](#) manufacturer:*

Other Similar products are found below :

[614R](#) [AUB0612L](#) [AFB0948HH-S687](#) [G2E085-AA05-10](#) [4318/12T](#) [AUB0912H-F00](#) [3412N/2ME](#) [W2G110-AM39-01](#) [8412GLV](#) [8412NGL-12](#) [6448-384](#) [4114N/17-251](#) [4318/2R](#) [4412F/2D](#) [424JMU](#) [4414/2HH](#) [4112 N/12GL-175](#) [9GA0912F402](#) [9GA0812B20011](#) [AFB0824SHBAV1](#) [DV5214/2NP-230](#) [9GA0912H4021](#) [THC1548MGDJJ](#) [GFB1224SHG](#) [8500NU](#) [DC1203812W2B-2T0](#) [MF40060V1-1000U-G99](#) [DC0401012V2B-3T0](#) [7F.20.9.024.1020](#) [7F.20.9.024.2055](#) [ASFP12392](#) [ASFP14391](#) [ASFP80372](#) [ASFP80391](#) [ASFP84391](#) [ASFP92391](#) [ASFP94391](#) [MF92251V3-1000U-G99](#) [9A0612G402](#) [AD5012HB-C71](#) [AD5012MB-C71](#) [ASFP84372](#) [026758A](#) [MEC0251V2-000U-A99](#) [412/2H](#) [4292](#) [MF40101V2-1000U-A99](#) [MF60152V1-1000U-G99](#) [3610KL-04W-B50-D00](#) [109P0412K3023](#)