



OD7015 Series Datasheets

DC Fan

70 x 15mm (2.76 x .60in)

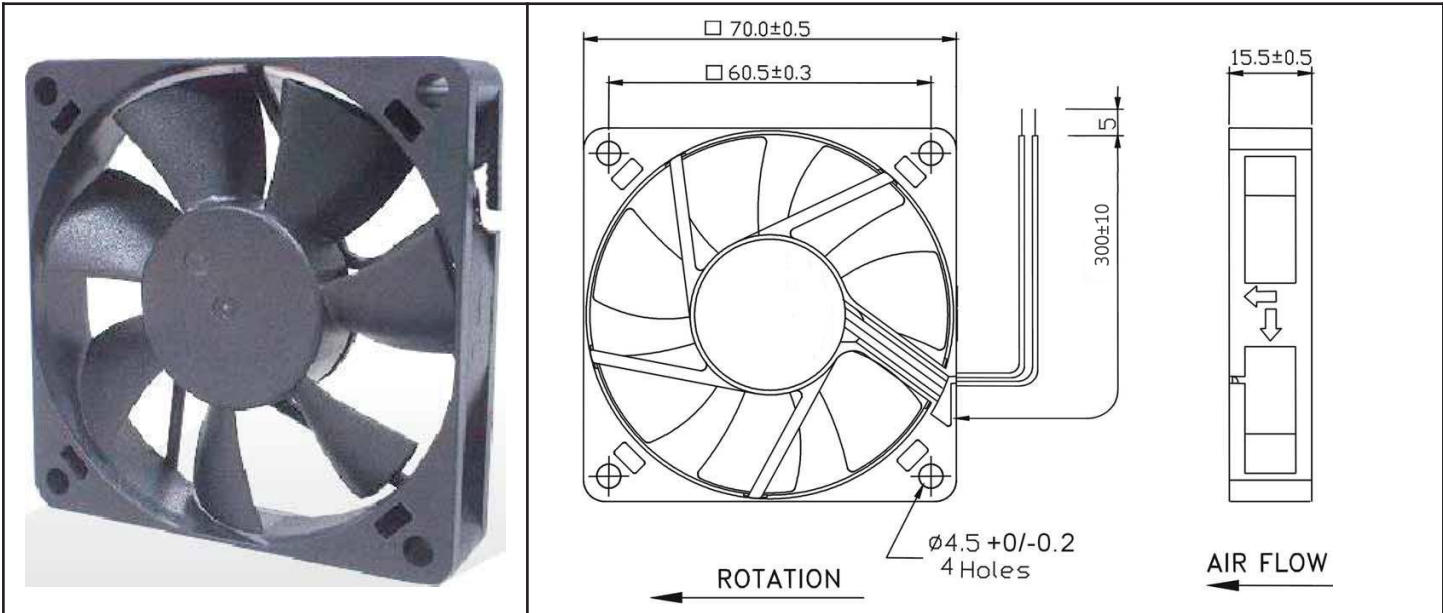


Model #	Pg #	Voltage	RPM	CFM	Noise Level	Max Static Pressure
OD7015-12MB	2	12 VDC	3500	28.5	37 dB	.15 H ₂ O
OD7015-12HHB01A	3	12 VDC	5500	41	44.5 dB	.26 H ₂ O

OD7015-12MB



DC Fan, 12VDC
70x15mm (2.76x.60in)



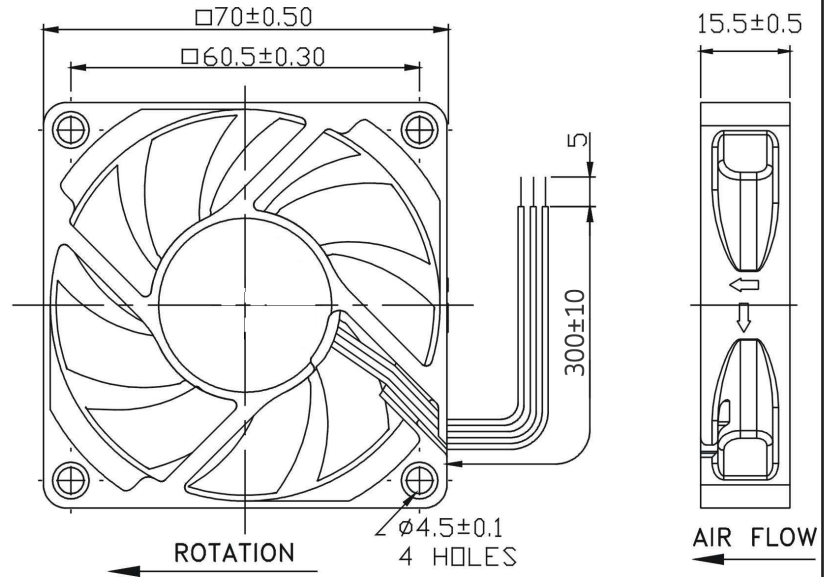
Frame & Impeller	PBT, UL94V-0 plastic	<u>Available Options</u> IP55 Other speeds and voltages Tachometer Alarm *Connection: Wire Leads - UL1007 24AWG Red(+), Black (-), Weight: 61 g	
Connection	2x Lead wires *		
Motor	Brushless DC, auto restart, polarity protected.		
Bearing System	Dual ball bearing		
Insulation Resistance	Min. 10M at 500VDC		
Dielectric Strength	1 second at 500VAC max leakage 500 microamp		
Temperature Range	-10C ~ +70C		
Storage Temperature	-40C ~ +80C		
Life (L10)	70,000 hours (40C)		

Model Number	OD7015-12MB
Part Number	112131001
Nominal Voltage	12 VDC
Voltage Range	7~13.2 VDC
Nominal Current	.16 A
Rated Power	2.16 Watts
Rated Speed (RPM)	3500
Airflow (CFM)	28.5
Noise Level (dB)	37
Max. Static Pressure	.15 "H ₂ O

OD7015-12HHB01A



DC Fan, 12VDC
70x15mm (2.76x.60in)



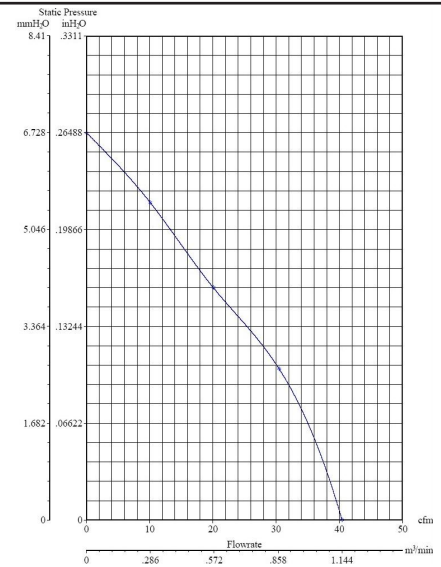
Frame & Impeller	PBT, UL94V-0 plastic
Connection	3x Lead wires *
Motor	Brushless DC, auto restart, polarity protected.
Bearing System	Dual ball bearing
Insulation Resistance	Min. 10M at 500VDC
Dielectric Strength	1 second at 500VAC max leakage 500 microamp
Temperature Range	-10C ~ +70C
Storage Temperature	-40C ~ +80C
Life (L10)	70,000 hours (40C)

Available Options

IP55
Other speeds and voltages
Alarm

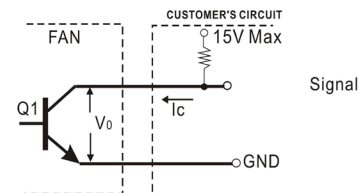
*Connection:
Wire Leads - UL1007
24AWG Red(+), Black (-),
White Tachometer

Weight: 61 g



Model Number	OD7015-12HHB01A
Part Number	112151221
Nominal Voltage	12 VDC
Voltage Range	7~13.2 VDC
Nominal Current	.26 A
Rated Power	4.32 Watts
Rated Speed (RPM)	5500
Airflow (CFM)	41
Noise Level (dB)	44.5
Max. Static Pressure	.26 "H ₂ O

*Output type.....Open collector type
*Electrical design suggestion:
(External signal function design is decided by customer)



*Transistor Q1 at "ON" position
Collector current.....I_c=10mA Max
Saturation Voltage.....V_{OL}=1.0V Max
(Between Collector and Emitter at I_c=10mA)
*Transistor Q1 at "OFF" position
Release Voltage.....V_{OH}=15V Max

X-ON Electronics

Largest Supplier of Electrical and Electronic Components

Click to view similar products for [DC Fans](#) category:

Click to view products by [Orion](#) manufacturer:

Other Similar products are found below :

[614R](#) [AUB0612L](#) [AFB0948HH-S687](#) [G2E085-AA05-10](#) [4318/12T](#) [AUB0912H-F00](#) [3412N/2ME](#) [W2G110-AM39-01](#) [8412GLV](#) [8412NGL-12](#) [6448-384](#) [4114N/17-251](#) [4318/2R](#) [4412F/2D](#) [424JMU](#) [4414/2HH](#) [4112 N/12GL-175](#) [9GA0912F402](#) [9GA0812B20011](#)
[AFB0824SHBAV1](#) [DV5214/2NP-230](#) [9GA0912H4021](#) [THC1548MGDJJ](#) [GFB1224SHG](#) [8500NU](#) [3241.124](#) [DC1203812W2B-2T0](#)
[MF40060V1-1000U-G99](#) [DC0401012V2B-3T0](#) [7F.20.9.024.1020](#) [7F.20.9.024.2055](#) [ASFP12392](#) [ASFP14391](#) [ASFP64371](#) [ASFP64391](#)
[ASFP80372](#) [ASFP84391](#) [ASFP92391](#) [ASFP94391](#) [MF92251V3-1000U-G99](#) [9A0612G402](#) [AD5012HB-C71](#) [AD5012MB-C71](#) [ASFP84372](#)
[026758A](#) [514F](#) [MEC0251V2-000U-A99](#) [412/2H](#) [4292](#) [MF40101V2-1000U-A99](#)